

OPERATING CHARACTERISTICS ⁴

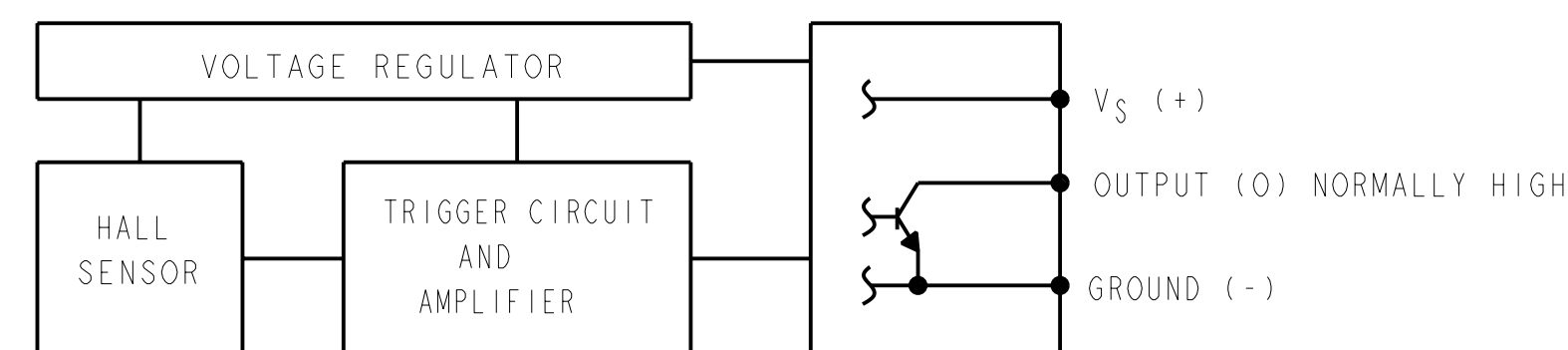
GAUSS	
OPERATE MAX	430
RELEASE MIN	160
DIFF MIN	40

ABSOLUTE MAXIMUM RATINGS

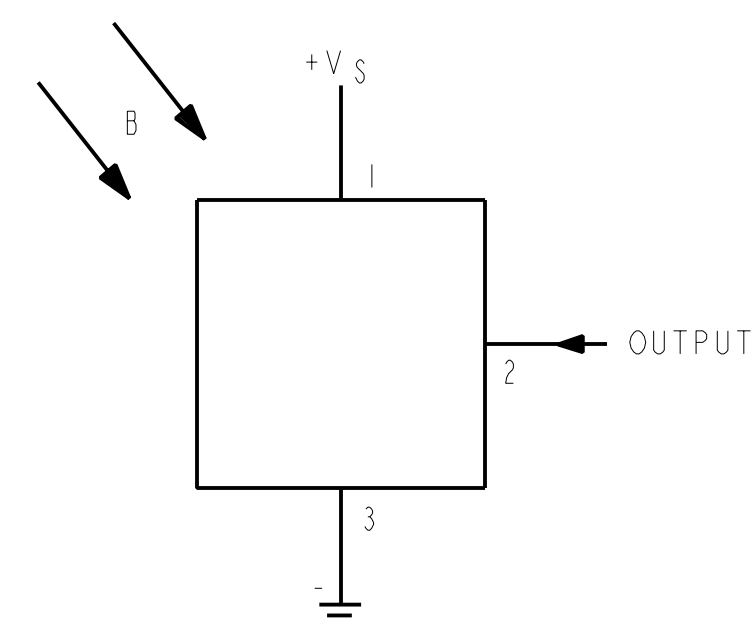
SUPPLY VOLTAGE (V _S) ⁶	-28 VDC TO +28 VDC
VOLTAGE EXTERNALLY APPLIED TO OUTPUT	+28 VOLTS DC MAX WITH SWITCH IN "OFF" CONDITION ONLY -0.5 VOLTS DC MIN WITH SWITCH IN "OFF" OR "ON" CONDITION
OUTPUT CURRENT	40 mA
TEMPERATURE OPERATE AND STORAGE	-40° C TO 150° C
MAGNETIC FLUX	NO LIMIT, THE CIRCUIT CANNOT BE DAMAGED BY MAGNETIC OVERDRIVE

ELECTRICAL CHARACTERISTICS

	MIN	TYP	MAX	REMARKS
SUPPLY CURRENT		11 mA	15.50 mA	PLUS LOAD CURRENT V _S = 4.5 TO 24 VDC ⁶ ¹⁰
OUTPUT VOLTAGE (OPERATED) ⁴		.15 VOLTS	0.4 VOLTS	SINKING 10mA
OUTPUT LEAKAGE CURRENT (RELEASED) ⁴			20μ A	LEAKAGE INTO SWITCH OUTPUT
OUTPUT SWITCHING TIME (SINKING 20 mA)		0.2μ SEC	1.5μ SEC	10 - 90%
RISE TIME ⁴		1.0μ SEC	0.5μ SEC	90 - 10%
FALL TIME				



BLOCK DIAGRAM SHOWING CURRENT SINKING OUTPUTS



SWITCH SYMBOL

THIRD ANGLE PROJECTION	
SCALE 3 : 1	
DO NOT SCALE PRINT	
UNLESS OTHERWISE SPECIFIED TOLERANCES ARE	
ONE PLACE (.0)	± .030
TWO PLACES (.00)	± .015
THREE PLACES (.000)	± .005
ANGLES	±
WEIGHT	

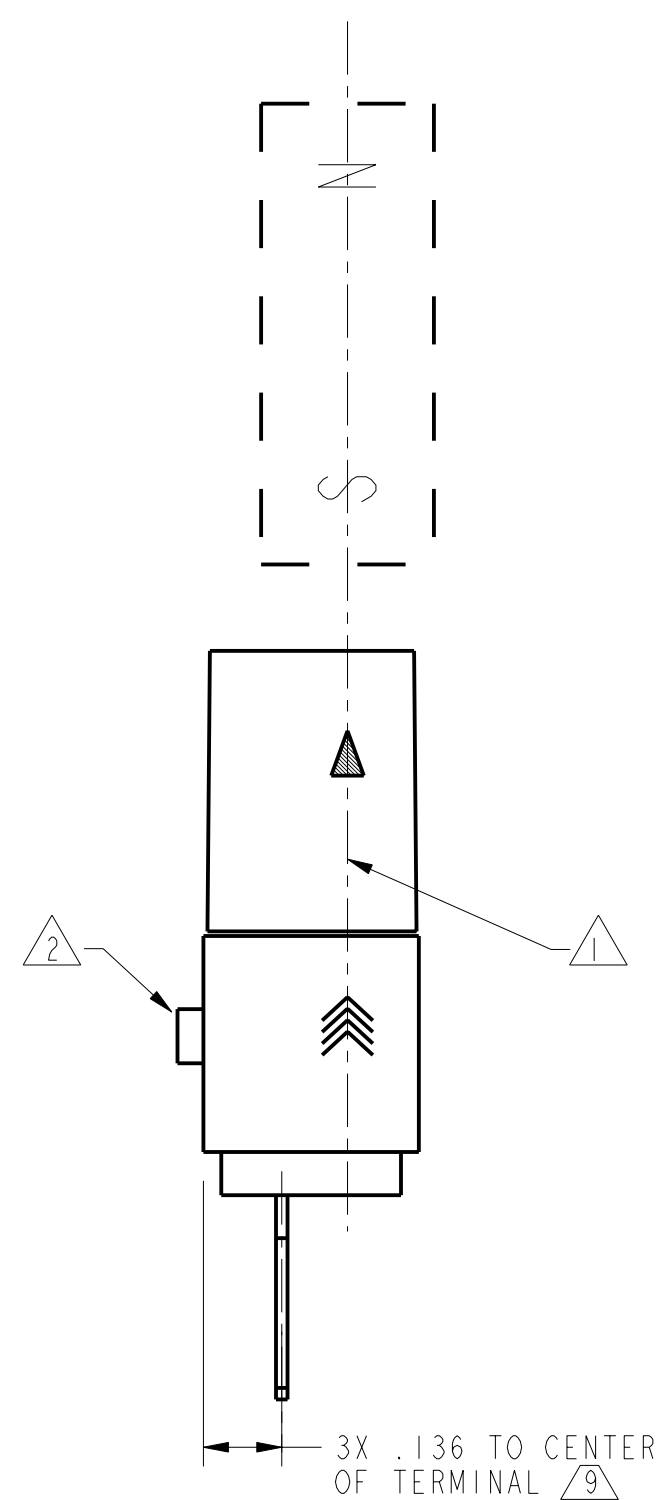
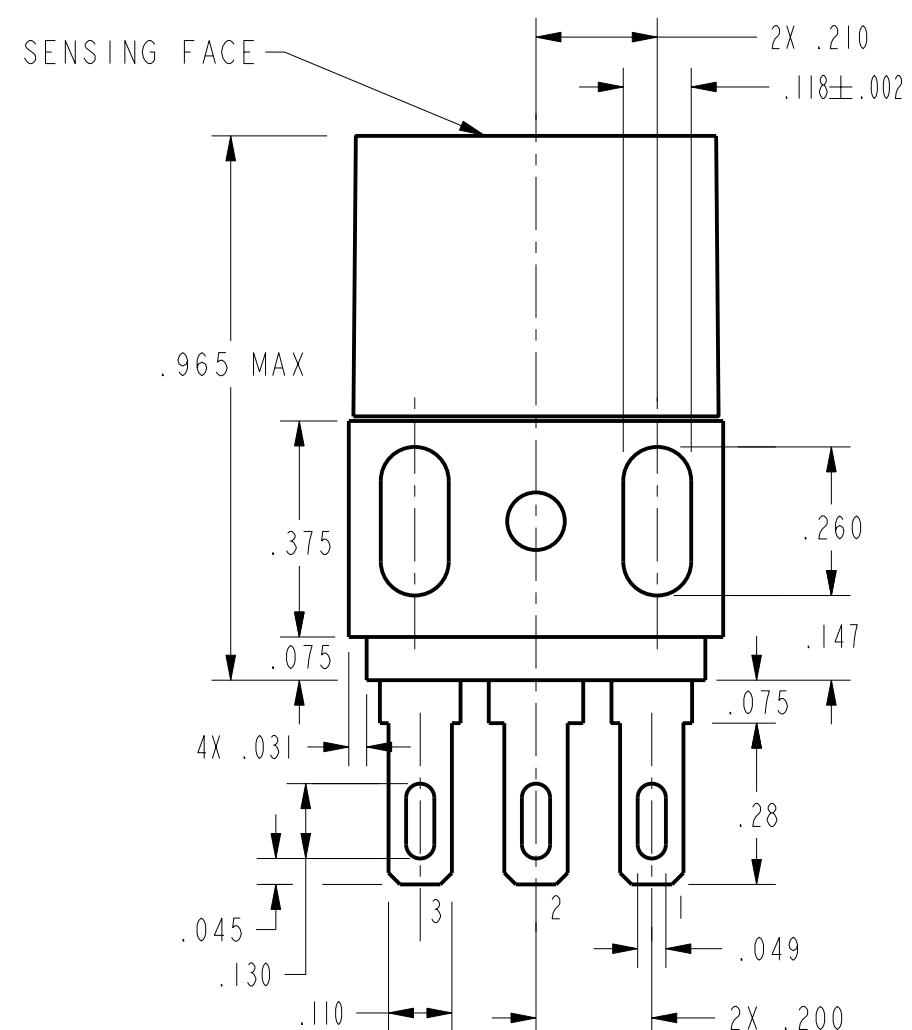
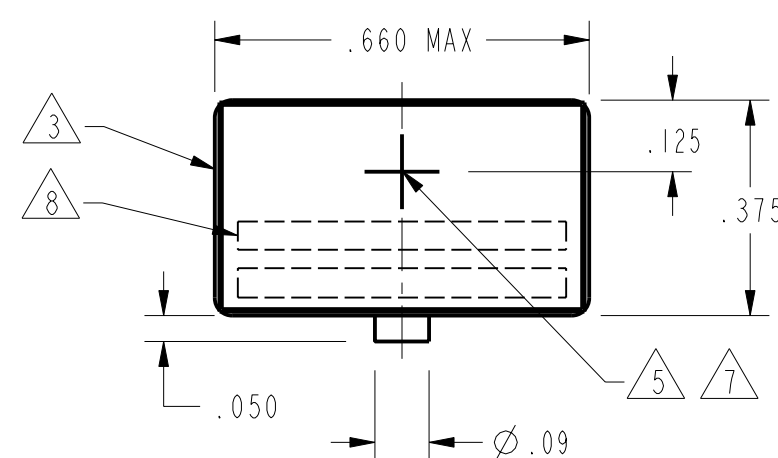


FIG. 1

NOTES

- ¹ FLUX ENTERING THE SOUTH POLE OF THE MAGNET WILL OPERATE THE SENSOR WHEN MAGNET IS POSITIONED AS SHOWN IN FIGURE 1. THIS ASSUMES THE CONVENTION THAT THE DIRECTION OF THE EXTERNAL FLUX OF A MAGNET IS FROM THE NORTH TO SOUTH POLE OF THE MAGNET
- ² CAN BE STACKED ON .375 INCH CENTERS
- ³ CATALOG LISTING AND DATE CODE ARE LOCATED ON THE SIDE OF THE DEVICE
- ⁴ AT SUPPLY VOLTAGE OF 4.5 TO 24 VOLTS AND FULL TEMPERATURE RANGE
- ⁵ SENSITIVE AREA IS LOCATED WITHIN .025 OF THIS POINT AND .065 BEHIND THIS POINT
- ⁶ V_S IS THE UNREGULATED SUPPLY VOLTAGE
- ⁷ SENSITIVE AREA MARKED BY CROSSED LINES
- ⁸ MICRO SWITCH LOGO LOCATED IN THIS AREA
- ⁹ TERMINAL ACCEPTS .110 X .020 FASTON CONNECTOR
- ¹⁰ AT 24°C ± 2°C

THIS DRAWING COVERS A PROPRIETARY ITEM AND IS THE PROPERTY OF MICRO SWITCH, A DIVISION OF HONEYWELL. THIS DRAWING IS NOT TO BE COPIED OR USED WITHOUT THE APPROVAL OF MICRO SWITCH.

MICRO SWITCH
a Honeywell Division

MAGNETICALLY OPERATED HALL SWITCH

CATALOG LISTING
413SR10

FED. MFG. CODE 91929

ANSI Y14.5M-1982 APPLIES

P.T.C./CAD [20] DRAWN 30 JUL 99 CHECK JAF 30 JUL 99
 413SR10 DRAWING NUMBER 1 ISSUE 1
 RELEASE NO. CO-95088-A REPLACES XII11367-SR