

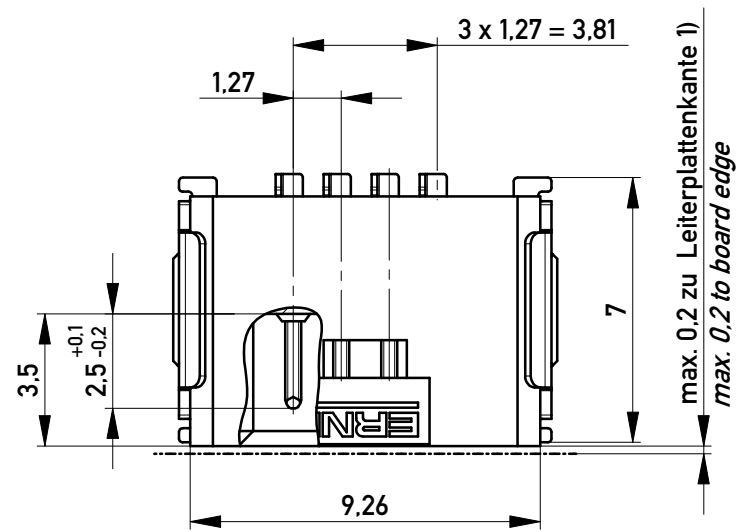
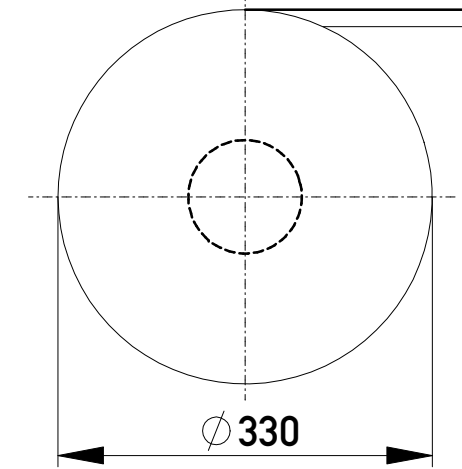
Anforderungsstufe 1
Performance Level 1

Kontaktbereich vergoldet
Mating Area gold plating

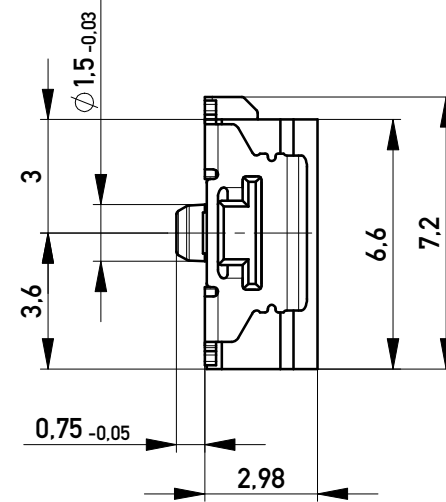
Anschlussbereich verzinkt 4-6 µm
Terminal Area 4-6 µm tin plating

Koplanarität der Anschlüsse ≤ 0,1 mm
Coplanarity Area of Termination ≤ 0,1 mm

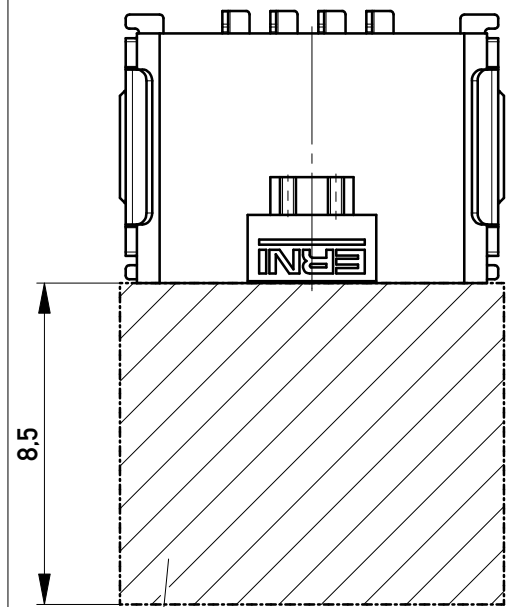
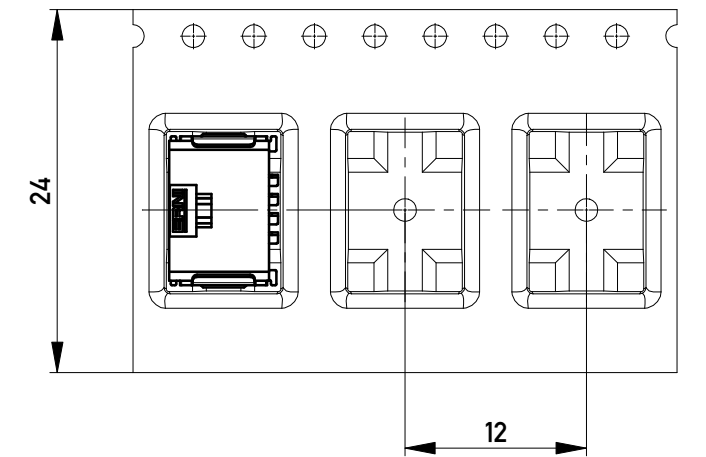
Verpackt in Gurtverpackung
Tape on Reel Packaging
Verpackungseinheit: 1000 Stück
Packaging unit: 1000 pcs



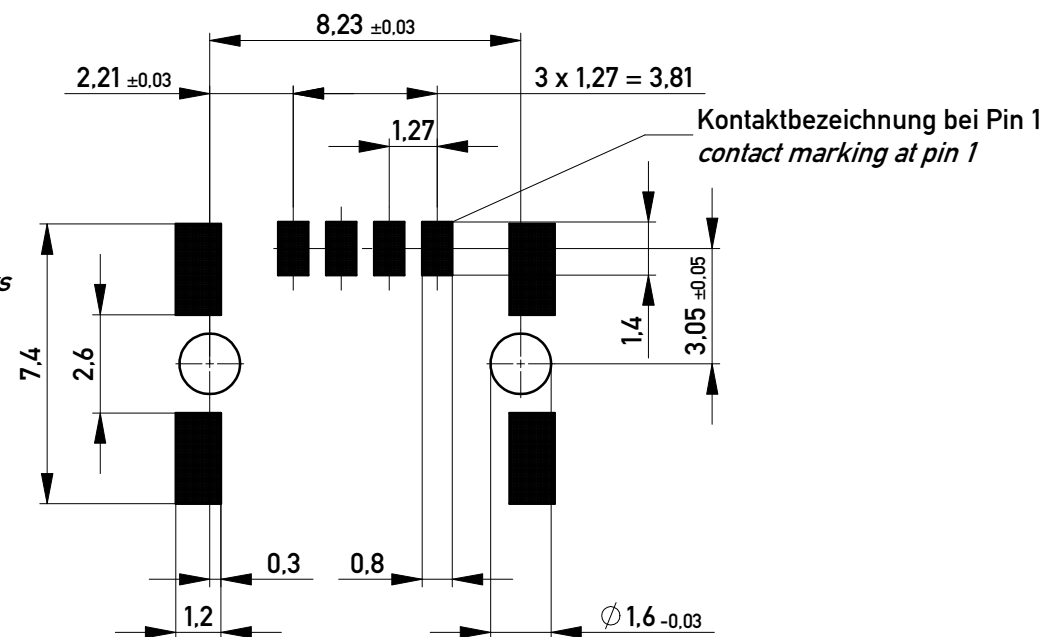
Leiterplatten-Layout für SMT
PCB-Layout for SMT



Abspulrichtung - Reel off Direction



Sperrfläche für Leiterbahnen
gültig bei Verwendung von
Gegenstecker Federleiste 90°
in SKV Ausführung
Restricted area for conductors
valid for use by mating
female connector 90°
in IDC version



1) gültig bei Verwendung von Gegenstecker Federleiste 90° in SMD Ausführung
valid for use by mating female connector 90° in SMD version

Information:		Tolerances		Scale	5:1
All rights reserved. Only for Information. To ensure that this is the latest version of this drawing, please contact one of the ERNI companies before using.		Subject to modification without prior notice. Drawing will not be updated.		Designation	
www.ERNI.com		www.ERNI.com		M 1,27 SRC A, 4-polig BA1	
Index		Date		101303240001	
22.03.2016				K	
				A3	
				Class	
				SRCA	

Copyright by ERNI Production GmbH & Co. KG
Proprietary notice pursuant to ISO 16016 to be observed.