

isc Silicon NPN Power Transistor

BD949F/951F/953F/955F

DESCRIPTION

- DC Current Gain-
: $h_{FE} = 40(\text{Min}) @ I_C = 500\text{mA}$
- Complement to Type BD950F/952F/954F/956F

APPLICATIONS

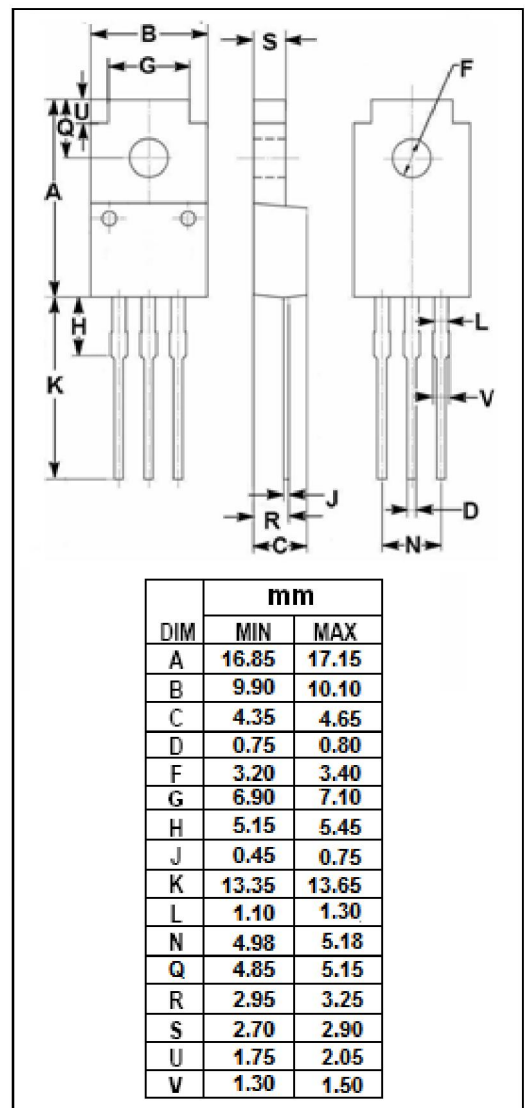
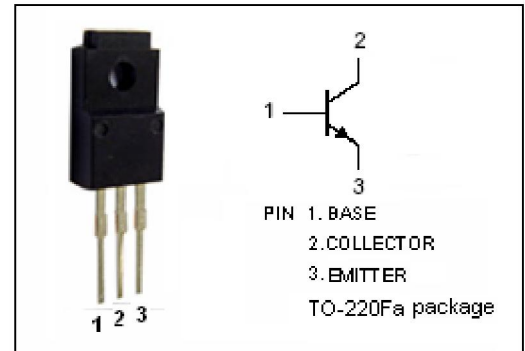
- Designed for power amplifier and switching applications

ABSOLUTE MAXIMUM RATINGS($T_a = 25^\circ\text{C}$)

SYMBOL	PARAMETER	VALUE	UNIT	
V_{CBO}	Collector-Base Voltage	BD949F	60	V
		BD951F	80	
		BD953F	100	
		BD955F	120	
V_{CEO}	Collector-Emitter Voltage	BD949F	60	V
		BD951F	80	
		BD953F	100	
		BD955F	120	
V_{EBO}	Emitter-Base Voltage	5	V	
I_C	Collector Current-Continuous	5	A	
I_{CM}	Collector Current-Peak	8	A	
P_C	Collector Power Dissipation @ $T_C = 25^\circ\text{C}$	22	W	
T_J	Junction Temperature	150	$^\circ\text{C}$	
T_{stg}	Storage Temperature Range	-65~150	$^\circ\text{C}$	

THERMAL CHARACTERISTICS

SYMBOL	PARAMETER	MAX	UNIT
$R_{th\ j-c}$	Thermal Resistance, Junction to Case	8.12	$^\circ\text{C/W}$



isc Silicon NPN Power Transistor

BD949F/951F/953F/955F

ELECTRICAL CHARACTERISTICS

 $T_C=25^{\circ}\text{C}$ unless otherwise specified

SYMBOL	PARAMETER		CONDITIONS	MIN	TYP.	MAX	UNIT
$V_{CE(SUS)}$	Collector-Emitter Sustaining Voltage	BD949F	$I_C=100\text{mA}; I_B=0$	60			V
		BD951F		80			
		BD953F		100			
		BD955F		120			
$V_{CE(sat)}$	Collector-Emitter Saturation Voltage		$I_C=2\text{A}; I_B=0.2\text{A}$			1.0	V
$V_{BE(on)}$	Base-Emitter On Voltage		$I_C=2\text{A}; V_{CE}=4\text{V}$			1.4	V
I_{CBO}	Collector Cutoff Current		$V_{CB}=V_{CB0max}; I_E=0$ $V_{CB}=\frac{1}{2}V_{CB0max}; I_E=0, T_J=150^{\circ}\text{C}$			0.05 1	mA
I_{CEO}	Collector Cutoff Current		$V_{CE}=\frac{1}{2}V_{CE0max}; I_B=0$			0.1	mA
I_{EBO}	Emitter Cutoff Current		$V_{EB}=5\text{V}; I_C=0$			0.2	mA
h_{FE-1}	DC Current Gain		$I_C=500\text{mA}; V_{CE}=4\text{V}$	40			
h_{FE-2}	DC Current Gain		$I_C=2\text{A}; V_{CE}=4\text{V}$		20		
f_T	Current-Gain—Bandwidth Product		$I_C=500\text{mA}; V_{CE}=4\text{V}$	3			MHz

Switching Times

t_{on}	Turn-On Time	$I_C=1.0\text{A}; I_{B1}=-I_{B2}=0.1\text{A}$		0.3		μs
t_{off}	Turn-Off Time			1.5		μs