

830-003
Size #12 Pneumatic Pin Contact



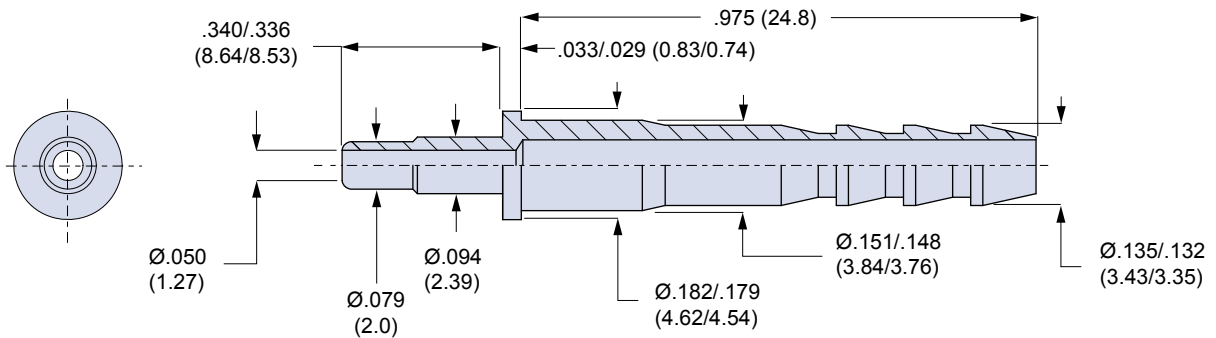
Special Purpose

Size #12 Pneumatic Contacts



| Contact Type | For Use With | Tube I.D. | Part Number |
|--------------|--|-------------|----------------|
| Pin | D38999 All Series, Series 79 and Series 80 | .094 (2.38) | 830-003 |

830-003 supercedes 857-011



Stainless steel pneumatic contacts attach to 3/32 inch (2.38) diameter tubing. Contacts snap into size #12 connector cavities. These pneumatic contacts are rated for 100 PSI maximum air pressure. No installation tool is required. Remove contacts with plastic extraction tool 809-132.

Material and Finish

Body and Cap: stainless steel, passivated
 O-ring: fluorosilicone
 Washers: PTFE

Specifications

Contact may be used for air pressures up to 100±10% PSIG
 Fits #12 socket contact cavities in Series 79 connectors

Notes

High pressure pneumatic contacts available. Consult factory for more information.