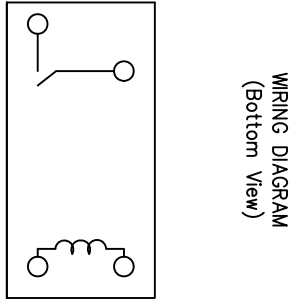
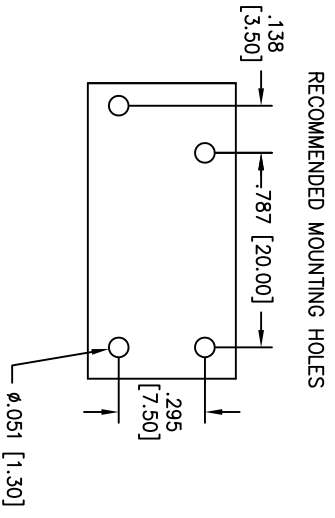
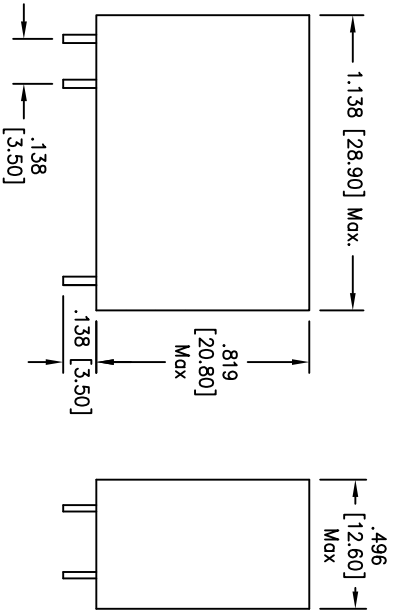


Rev	AWO #	Description	Date	Appr
-		RELEASED	5/05/10	

APPROVED: _____
 DATE: _____ TITLE: _____



1 FORM A

PART NO.	RPM-1A-P-12
Rated Current (mA)	44mA
Rated Voltage (V DC)	12VDC
Power consumption (W)	0.54W
Maximum voltage	130 Max.
Must Drop-out Voltage	10 Min.
Must Operate Voltage	80 Max.
Coil Resistance	270Ω

SPECIFICATIONS:

Electrical:

Contact arrangement: SPST (1FormA)
 Contact material: Silver Alloy
 Switching Voltage: AC250V/DC125V AC Max.
 Contact resistance: 50mΩ max. @ 1A 6VDC
 Insulation resistance: 1000 MΩ min. @ 500V DC
 Dielectric Strength:

Between open contact: 1000VAC (50Hz/min)
 Between Coil & Contact: 5000VAC (50Hz/min)
 Operating time: 15ms max. Release time: 8ms max.
 Electrical Life: 100,000

Mechanical:

Mechanical Life: 10,000,000
 Temperature Rating: Ambient temperature: -40°C to +70°C

Environmental:

Lead free, RoHS compliant
 Recommended soldering temp: 235°C for 5 sec.
 Packaging: Anti-ESD plastic trays
 Safety Agency Approvals: cUL Recognized File No. E305638



UNLESS OTHERWISE SPECIFIED ALL DIMENSIONS ARE INCHES [MM] TOLERANCES: EXCEPT AS NOTED INCHES HOLES			
.X	±.10	ØX	±.10
.XX	±.020	ØXX	±.015
.XXX	±.015	ØXXX	±.010

ADAM TECH
 909 Rahway Avenue, Union, NJ 07083
 Phone: 908-687-5000 Fax: 908-687-5710

TITLE: POWER RELAY, 12VDC, 1 FORM A, PCB

APPROVALS	DATE
DRAWN DY	5/06/10
CHECKED	
APPROVED	

SIZE	PART NO.	REV.
X	RPM-1A-P-12	-

REF: S0027C SCALE: NTS SHEET 1 OF 1