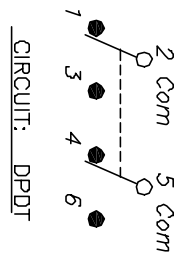
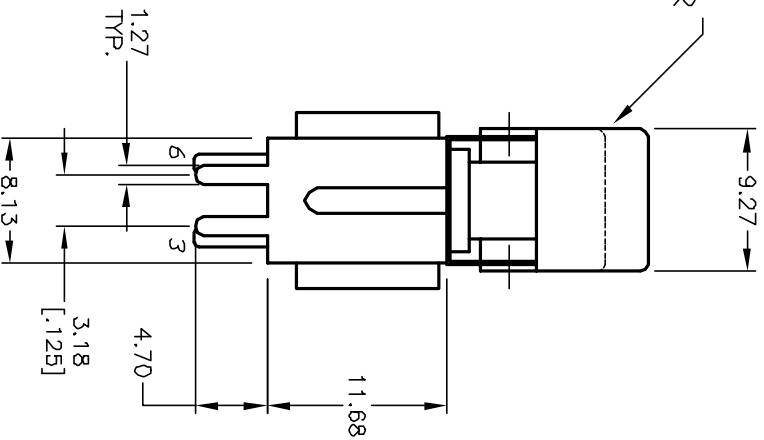
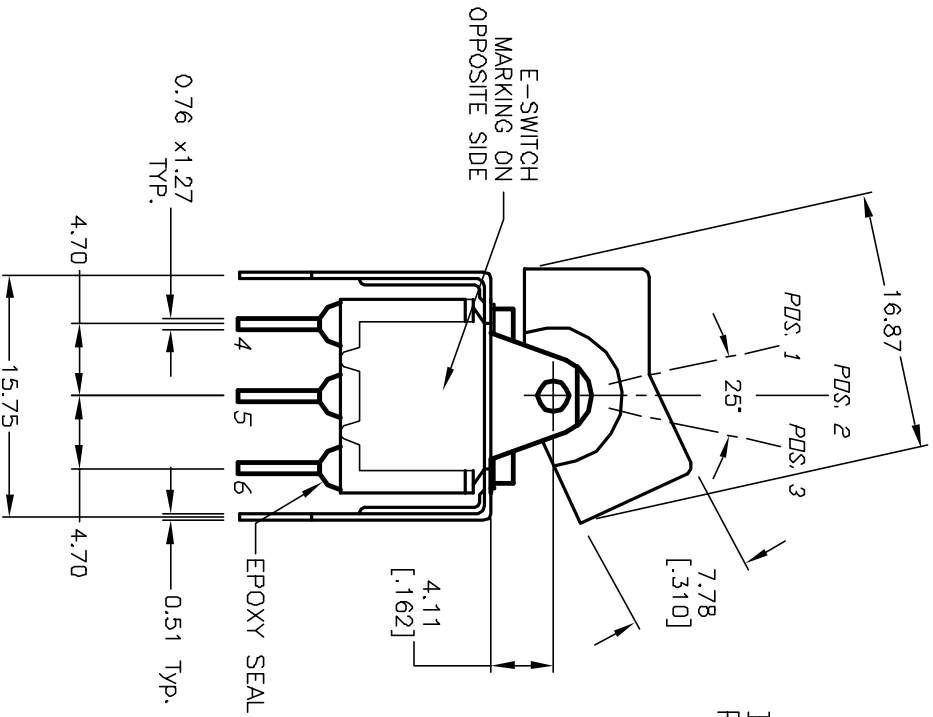


*BOTTOM VIEW
BRACKET CROPPED
FOR CLARITY*

RECOMMENDED PANEL MOUNTING



SWITCH FUNCTION		
POS. 1	POS. 2	POS. 3
DN	NONE	DN
2-3,5-6	OPEN	2-1,5-4

NOTES:

1. ALL DIMENSIONS IN MM
2. GENERAL TOLERANCE: X.X=±0.4
X.XX=±0.25
3. TERM. NOS. FOR REF. ONLY
4. RATING: 0.4V @20V AC or DC max.
5. MATERIAL: FIXED TERMINAL & MOVING CONTACT
Copper Alloy w/GOLD Plate over
Nickel plate.
6. CONTACT RESISTANCE: 10mΩ Ohms max initial
@2-4VDC, 100mA for AG & AU
7. ELECTRICAL LIFE: 50,000 make-and-break
cycles at full load.
8. INSULATION RESISTANCE: 1,000M ohm min.
9. DIELECTRIC STRENGTH: 1000V RMS @sea level
10. OPERATING TEMP.: -30°C to 85°C

E-SWITCH®

REV. C	ECN No. 12056	REVISED AND REDRAWN	DATE 4/11/02	CHKD CB	TITLE 300 DP-1 J1 BLK(D/I)VS2 RE (GOLD CONTACTS)	SCALE 2:1	DATE 4/11/02	DR CB	DWG T321051	REV C	
DESCRIPTION					THE INFORMATION CONTAINED IN THIS DOCUMENT IS PROPRIETARY TO E-SWITCH AND IS NOT TO BE COPIED OR TRANSMITTED						