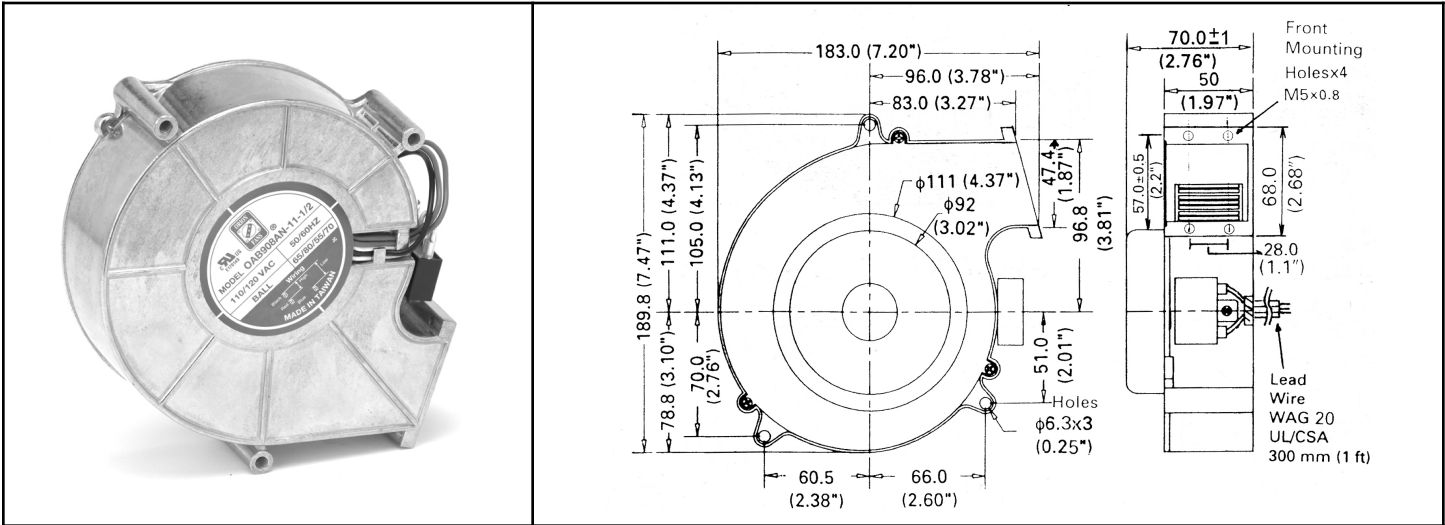


OAB908 Ultra Low Speed



AC Blower, ball bearing
183x190x70mm (7.2"x 7.5"x 2.8")



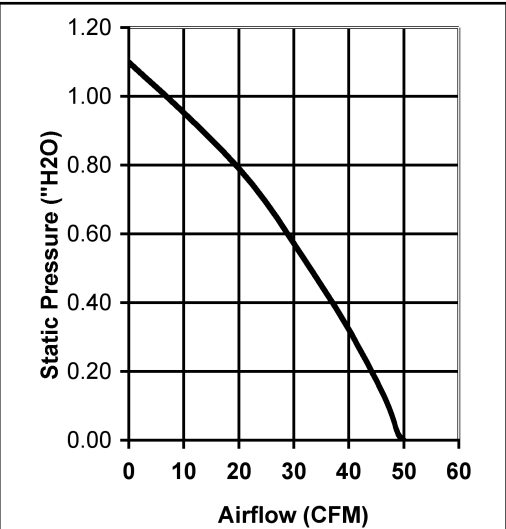
Side Inlet Blower	
Frame & Impeller	Aluminum die-cast shell with UL94V-0 impeller
Connection	Lead Wires
Motor	Single phase, capacitor induction, 2/4 pole, inner rotor, thermal protection -Frame: Aluminum die-cast, natural color treatment case, steel plate housing cover
Bearing System	Dual ball - sealed

Operating Temp: Ambient non-condensing allowable thermal range -20C~+75C

-L10 Life: MTBF life test 80,000 hours at +45C, 40,000 hours at +60C

-Dielectric Strength: Over 1 min. at 1,500 VAC, 0.5mA, 50/60 Hz

-Insulation Resistance: Over 100 Mega Ohm at DC 500V



Model Number	OAB908AN-11-3	OAB908AN-22-3
Part Number	264331000	264631000
Nominal Voltage	115 VAC	230 VAC
Voltage Range	60 ~ 130	100 ~ 260
Rated Power	60 W	60 W
Rated Speed (RPM)	1000	1000
Airflow (CFM)	50	50
Noise Level (dB)	40	40
Max. Static Pressure	1.1 "H2O	1.1 "H2O