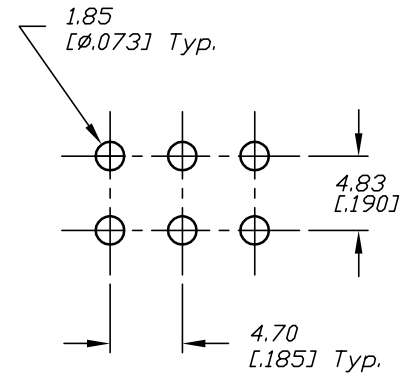
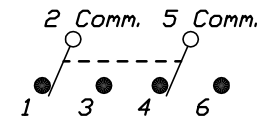
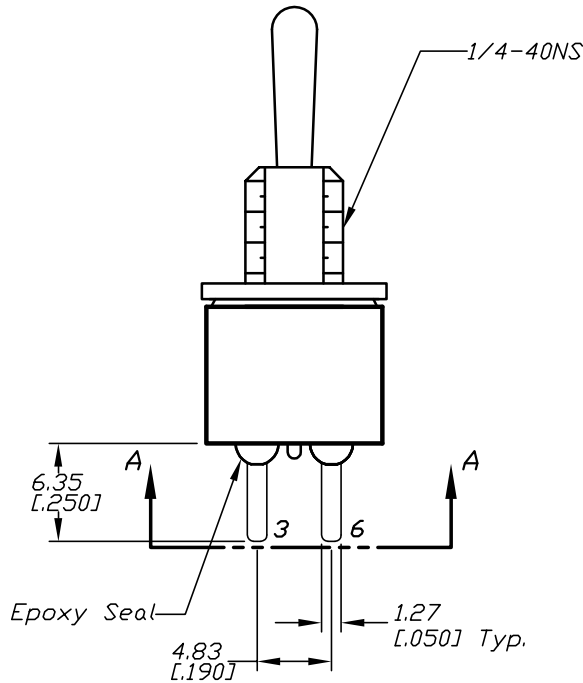
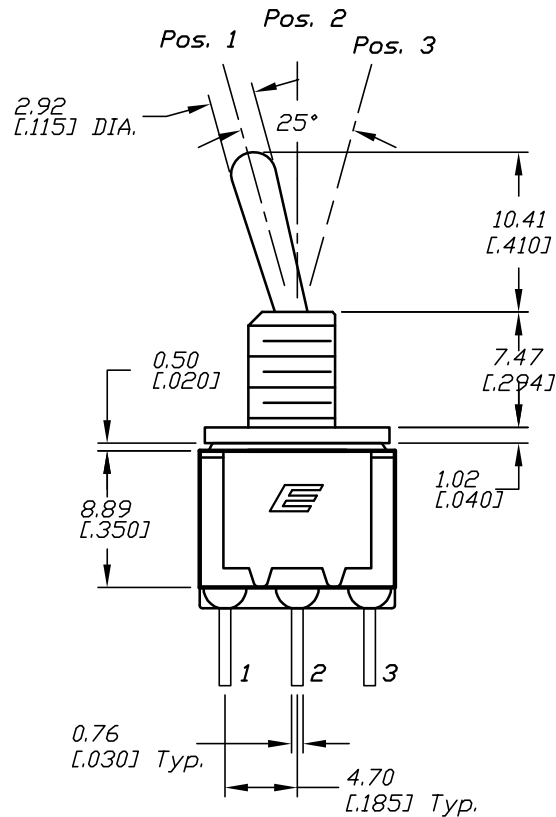


VIEW A-A



RECOMMEND P.C.B. LAYOUT



CIRCUIT: DPDT

CONTACT CONFIGURATION

SWITCH FUNCTION		
POS. 1	POS. 2	POS. 3
ON	OFF	ON
2-3,5-6	OPEN	2-1,5-4

NOTES:

1. ALL DIMENSIONS IN MM
2. TERM. NOS. FOR REF ONLY
3. RATING: 5A @120VAC or 28VDC
2A @250VAC.

TOLERANCES	±0.4	±0.25
	0.0	0.00

E-SWITCH®

TITLE				100 DP-3 T1 B9 M2 Q E			
SCALE	DATE	DR	DWG	REV			
2:1	5/29/98	MM	T123016	A			

THE INFORMATION CONTAINED IN THIS DOCUMENT IS PROPRIETARY TO E-SWITCH AND IS NOT TO BE COPIED OR TRANSFERRED