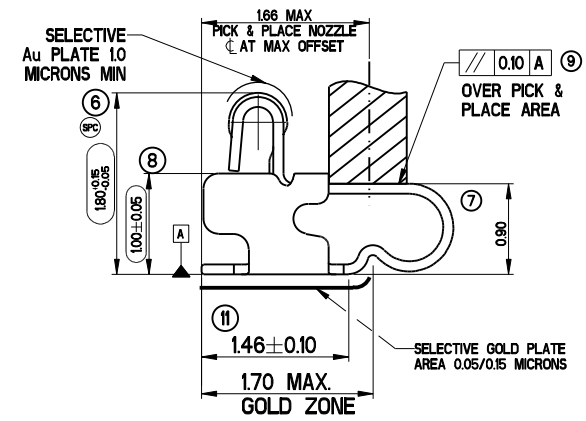
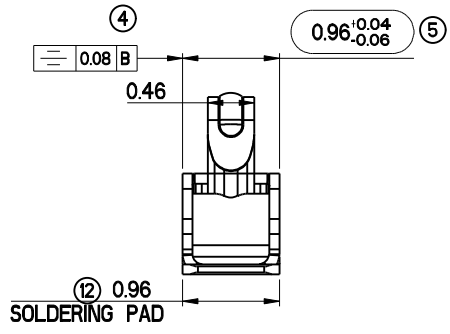
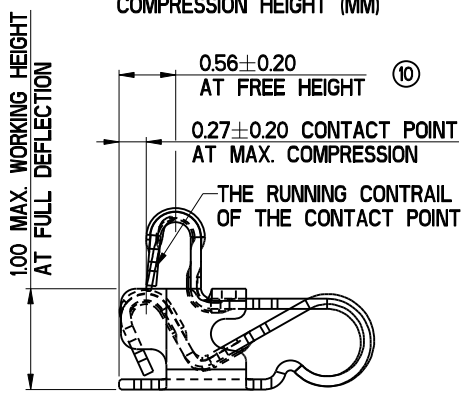
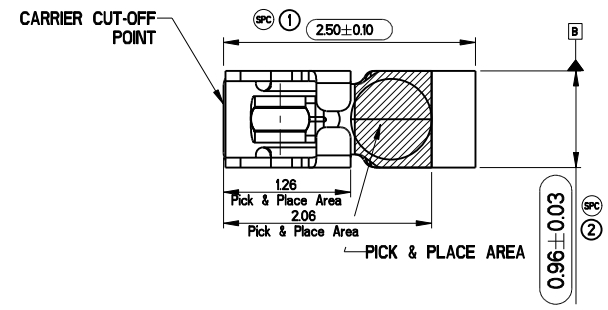
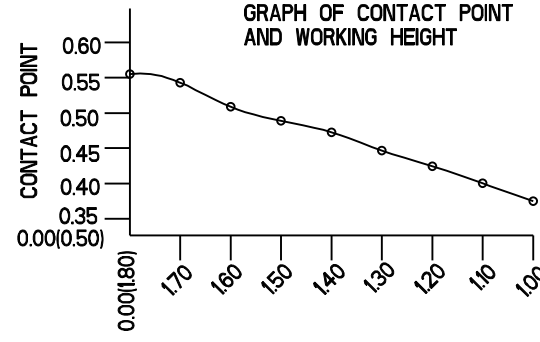
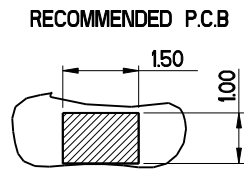
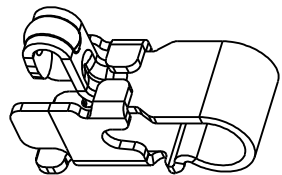


LOAD AT 1.00 MM HEIGHT
 INITIAL : 0.88 N (APPLYING LOAD)
 AFTER 3 X REFLOW : 0.78 N

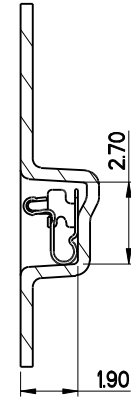
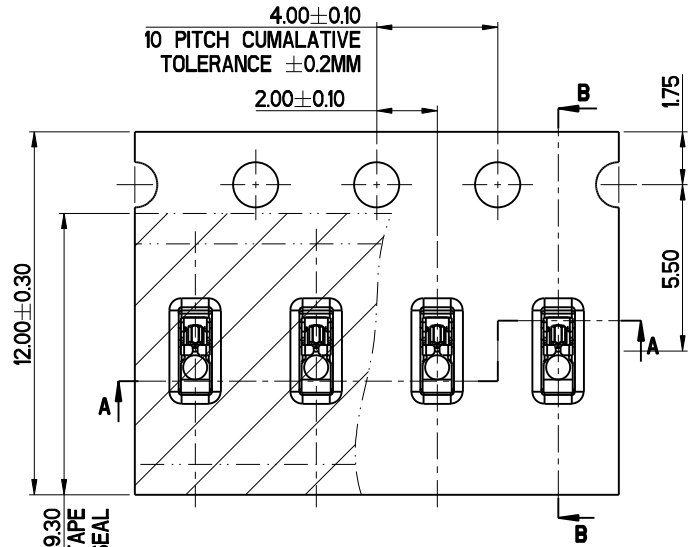
INITIAL FORCE AT 140MM COMPRESSION :
 0.60N (APPLYING LOAD)
 0.52N (UNAPPLYING LOAD)
AFTER 3 X REFLOW :
 0.48N (APPLYING LOAD) ③
 0.44N (UNAPPLYING LOAD)



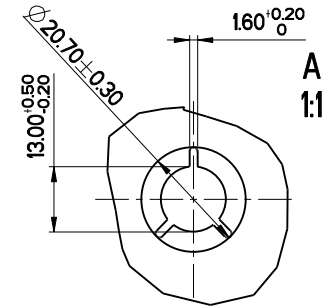
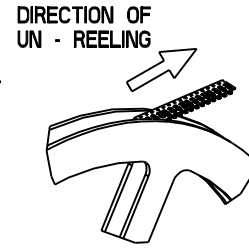
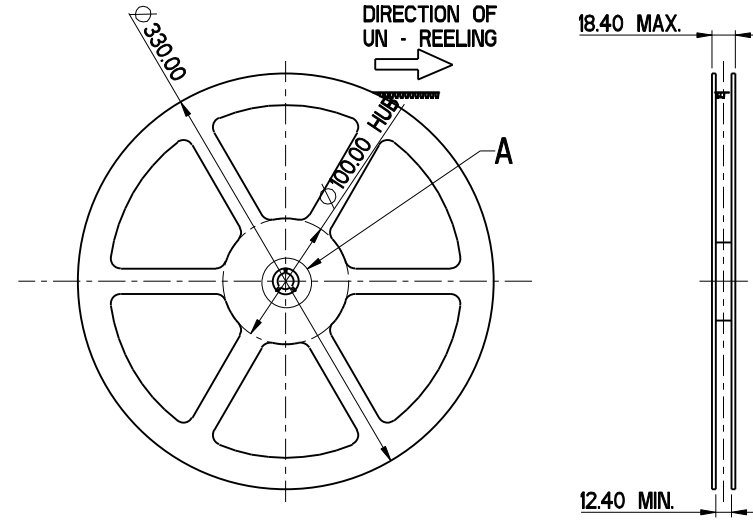
- NOTES :**
- MATERIAL : TITANIUM COPPER 0.10mm
 - FINISH: NICKEL UNDERPLATE 1.0/3.0 MICRONS
 - PRE-LOAD FORCE: 0.40 N • CONTACT POINT
 - FORCE • MAXIMUM DEFLECTION: 0.88 N • CONTACT POINT
 - RINGED DIMENSIONS AND GEOMETRIC TOLERANCE ARE CRITICAL.



DO NOT SCALE				PDM:		A3/B	
Drawn	BILLS	16-AUG-11	Material:	 ITT Industries Cannon Electronics (SZ) Co. Ltd. Toupan Industrial Area, Jinda Cheng, Xiner Village, Shajing Town, Baoan District, Shenzhen City PRC 518125	Pro/E Generic Model		
Checked	PL	16-AUG-11	SEE NOTES 1		Title		
Engineer	BILLS	16-AUG-11			MICRO UNIVERSAL CONTACT Z 1.8 mm		
Manufact.							
Assembly			Treatment:	Ref:	Drwg. No.	CU-120220-0311	
Quality				Cust Spec No:	Scale	10:1	
Approvals	Sign	Date	Dimensions in: mm		Sheet	1 of 2	
Iss/Rev			This is issued in strict confidence on condition that it is not used as a basis for manufacture or sale and that it is not copied, reprinted or disclosed to a third party either wholly or in part without the prior written consent of ITT Industries © 30-Mar-05				iss/rev
DCN/ECN or Description							C



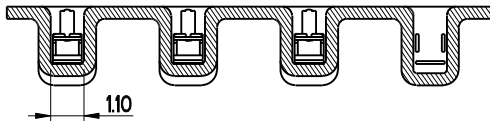
SECTION B-B



PACKAGING DETAILS

- 1) 6800 PCS TO BE PACKED RER REEL
- 2) LEADER : 400 MM
- 3) TRAILER : 160 MM
- 4) REEL MATERIAL - BLACK ANTI - STATIC POLYSTYRENE

93 ANTI-STATIC COVER TAPE POLYESTER, PRESSURE SEAL



SECTION A-A

NOTES :

- 1 CARRIER TAPE MATERIAL - BLACK CONDUCTIVE POLYSTYRENE

DO NOT SCALE				PDM:			A3/B	
Drawn	BILLS	16-AUG-11	Material:	<p>ITT Industries Toupandun Industrial Area, Jinda Cheng, Xiner Village, Shajing Town, Baoan District, Shenzhen City PRC 518125</p>	Pro/E Generic Model			
Checked	PL	16-AUG-11	SEE NOTES 1		Title			
Engineer	BILLS	16-AUG-11			UCZ 1.8 mm			
Manufact.								
Assembly			Treatment:	<p>Surface Roughness Unless Specified</p>	Drwg. No.	CU-120220-0311	iss/rev	
Quality					Scale	20:1	Sheet	2 of 2
Approvals	Sign	Date	Dimensions in: mm	Cust Spec No:				C

This is issued in strict confidence on condition that it is not used as a basis for manufacture or sale and that it is not copied, reprinted or disclosed to a third party either wholly or in part without the prior written consent of ITT Industries © 11-Aug-10