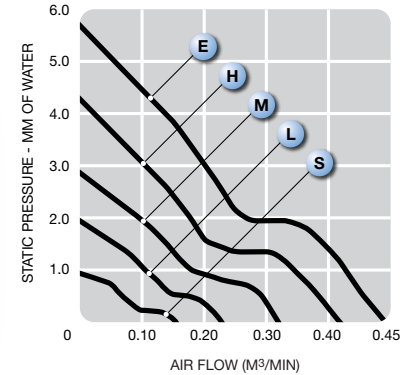
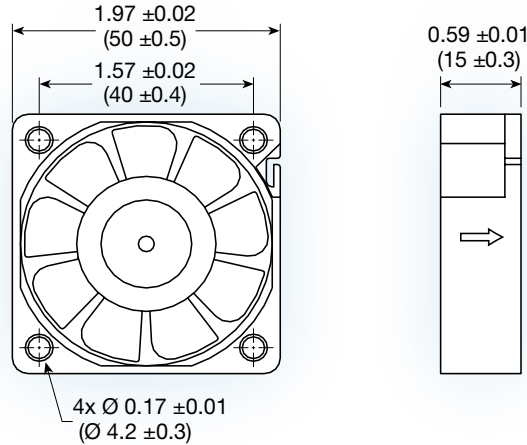


G5015 series



(50 x 50 x 15 mm)
1.97 x 1.97 x 0.59 inches

Construction:	UL94V-0 PBT impeller & frame
Bearing option:	ball bearing
Connection:	AWG 26, UL1061 lead wires
Frame:	ribbed
Protection:	thermal
Options:	tachometer output or locked rotor alarm signal; PWM speed control

Model No.	Rated Voltage V	Current mA			Speed RPM	Air Volume		Max. Static Pressure (H ₂ O)		Sound Noise dBa	Weight g
		5	12	24		M ³ /Min.	CFM	MM	INCH		
G5015S	5/12/24	150	80	70	2,500	0.15	5.00	0.92	0.04	20	35
G5015L	5/12/24	220	130	100	3,500	0.22	8.00	1.94	0.08	22	35
G5015M	5/12/24	300	200	140	4,500	0.31	11.00	2.86	0.11	24	35
G5015H	5/12/24	400	280	180	5,500	0.37	13.00	4.29	0.17	29	35
G5015E	12/24	-	400	250	6,500	0.44	16.00	5.71	0.22	34	35