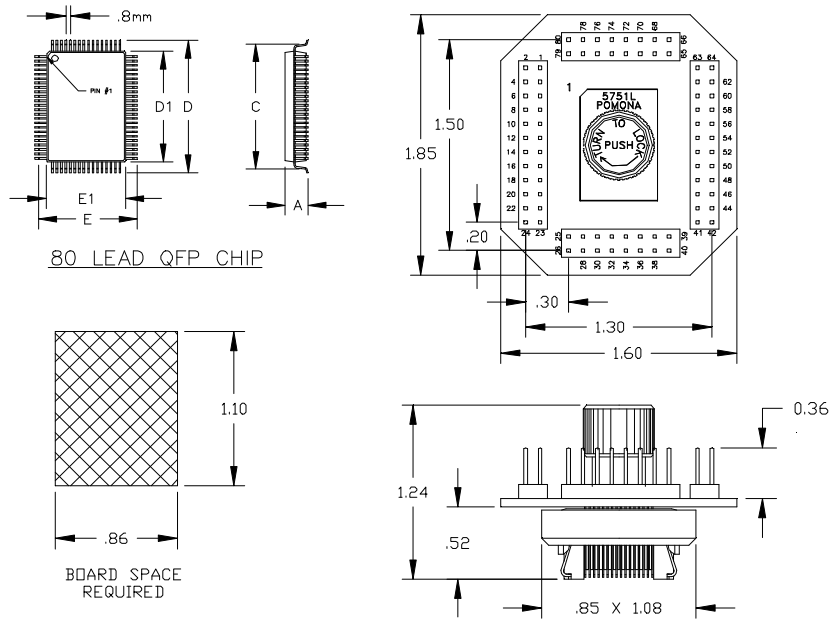


Model 5751L 80 Pin QFP Locking Test Clip 0.80mm Lead Pitch

These new test clips provide the user with an easy means to connect your test instruments to surface mounted, fine pitch 80 pin QFP chips.

The special locking fingers at each corner attach to the body of the chip and hold the clip firmly against the chip leads.

- Centrally activated locking mechanism allows testing vertical boards.
- Interfaces with high density EIAJ QFP surface mount chip leads.
- Two-stage alignment assures positive connections.
- Gold plated connector pins and contacts assure noise free connections.
- Gold plated .025" square pins provide easy connection with either ribbon cable or discrete jumpers.



Pomona's EIAJ test clips are perfect for logic analyzers, field service testing, failure analysis, and for use with emulators. Other clips are also available in other sizes to fit the most popular EIAJ chips now in use. Pomona offers a test clip to fit the most commonly found variations on the EIAJ specifications.

"D1" Body (mm)	"D" Leads(mm)	"E1" Body (mm)	"E" Leads(mm)	"A" Height(mm)	"C" Interface Dim	Pomona Part Number
20	23.9	14	17.9	3.4	16.3 X 22.3 (.642" X .878")	5751L
20	23.2	14	17.2	3.4	15.6 X 21.6 (.614" X .850")	5751L-2

All dimensions are in inches. Tolerances (except noted): .xx = ±.02" (.51 mm), .xxx = ±.005" (.127 mm). All specifications are to the latest revisions. Specifications are subject to change without notice. Registered trademarks are the property of their respective companies.

Made in USA

Sales: 909-469-2900 Fax: 909-629-3317
Technical Assistance: 800-241-2060

PomonaACCESS 90365 (800) 444-6785 or (949) 253-3858
More drawings available at www.pomonaelectronics.com