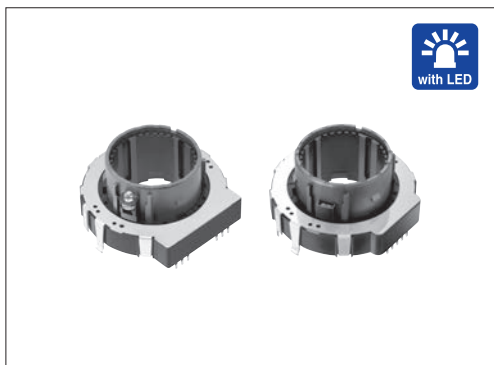


This LED illuminated ring potentiometer is best suited for knob design of various set devices



■ Typical Specifications



Items	Specifications	
	RK45B	RK45C
Contact resistance	±20%	
Maximum operating voltage	50V AC, 30V DC	
Detent torque	180° ±5° (Customizable up to 270°)	220° ±5° (Customizable up to 290°)
Operating life	30,000 cycles	
Operating temperature range	-40°C to +85°C	

■ Product Line

Total resistance	Resistance taper	Number of positions	Rotational angle	Detent torque (mN · m)	LED	Minimum order unit (pcs.)		Product No.	Drawing No.
						Japan	Export		
5kΩ	B	8	180° ±5°	55±20	Red	200	200	RK45B1A00001	1
		17		40±16				RK45B1A00002	
							220° ±5°		400

Notes

1. Other varieties are also available. Please inquire.
2. We can also provide LED colors other than the above mentioned. Please contact us if required.

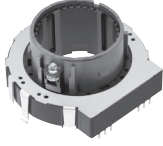
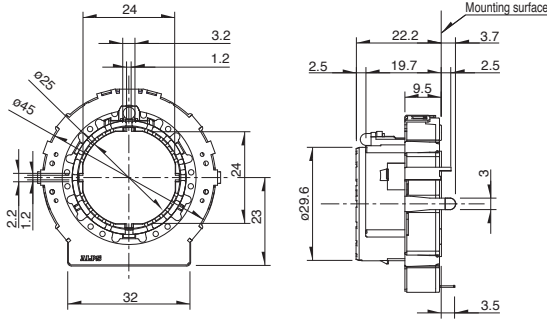
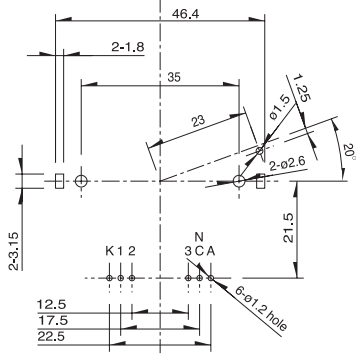
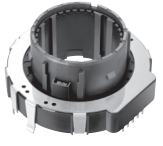
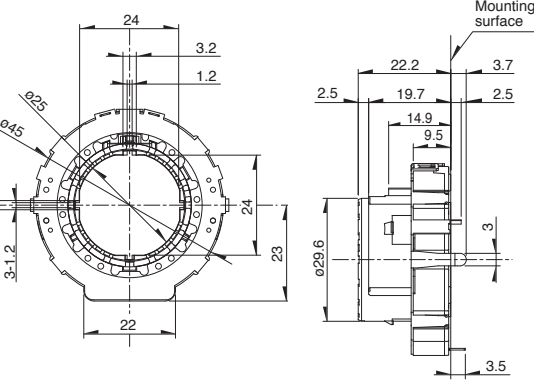
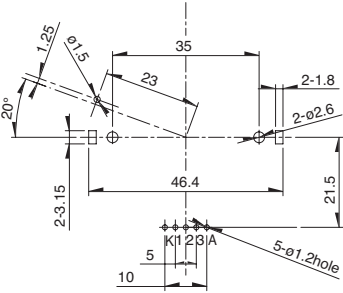
■ Packing Specifications

Tray

Products No.	Number of packages (pcs.)		Export package measurements (mm)
	1 case / Japan	1 case / export packing	
RK45B	200	200	540×360×205
RK45C	200	400	540×360×380

Dimensions

Unit:mm

No.	Photo	Style	PC board mounting hole dimensions (Viewed from mounting side)
1	<p>RK45B (With LED)</p> 		
2	<p>RK45C (With chip LED)</p> 		

Ring Type Potentiometers Soldering Conditions

Reference for Manual Soldering







Series	Tip temperature	Soldering time	No. of solders
RK39A, RK45B, RK45C	350°C max.	3s max.	1 time

Reference for Dip Soldering

Series	Preheating		Dip soldering		No. of solders
	Soldering surface temperature	Heating time	Soldering temperature	Soldering time	
RK39A, RK45B, RK45C	100°C max.	2min. max.	260°C max.	5s max.	2 time max.

Ring Type Potentiometers

List of Varieties

Type		39mm size	45mm size	
Series		RK39A	RK45B	RK45C
		Single-unit	Single-unit	Single-unit
Photo				
Features		LED illuminate		
Dimensions (mm)	W	39	45	
	D	39.5	45.5	
	H	8.5	9.5	
Operating temperature range		-40°C to +85°C		
Operating life		30,000 cycles		
Automotive use		●	●	●
Life cycle				
Electrical performance	Total resistance (k Ω)	5		
	Resistance taper	B		
	Rated power	0.05W		
	Insulation resistance	10MΩ min. 50V DC		
	Voltage proof	50V AC for 1minute		
Mechanical performance	Detent torque	40±16mN·m 50±20mN·m	55±20mN·m 40±16mN·m	40±16mN·m
	Number of positions	6, 17	8, 17	17
	Stopper strength	1N·m		
	Push-pull strength	100N (Push), 50N (Pull)		
	Vibration	10 to 55 to 10Hz/min., the amplitude is 1.5mm for all the frequencies, in the 3 direction of X, Y and Z for 2 hours respectively		
Terminal type		Insertion		
Page		384	385	

Ring Type Potentiometers Soldering Conditions	386
Potentiometers Cautions	427
Potentiometers Measurement and Test Methods	429
Potentiometers Resistance Taper	431

Notes

- The operating temperature range for automotive applications can be raised upon request. Please contact us for details.
- Indicates applicability to all products in the series.