



BNC Twinax Plug Connector Clamp/Solder Attachment For RG108, 78 Ohm Twinax

TECHNICAL DATA SHEET

PE4236

BNC Twinax Plug Connector Clamp/Solder Attachment For RG108, 78 Ohm Twinax

Configuration

Connector	BNC Twinax Plug
Connector Interface Type	RG108,78 Ohm Twinax
Cable Attachment Method (Shield/Contact)	Clamp/Solder
Body Style	Straight

Electrical Specifications

Impedance, Ohms	78
Maximum Operating Voltage, Volts	500

Mechanical Specifications

Size

Length, in [mm]	1.1 [27.94]
Width/Dia., in [mm]	0.57 [14]
Weight, lbs [g]	0.041 [18.6]

Connector

Type	BNC Twinax Plug
Contact Material and Plating	Silver
Coupling Nut Material and Plating	Nickel
Body Material and Plating	Nickel
Dielectric Type	PTFE

Compliance Certifications (visit www.Pasternack.com for current document)

RoHS Compliant	Yes
----------------	-----

Plotted and Other Data

Notes: Values at 25 °C, sea level

URL: <http://www.pasternack.com/bnc-twinax-plug-standard-rg108-78-ohm-twinax-connector-pe4236-p.aspx>

BNC Twinax Plug Connector Clamp/Solder Attachment For RG108, 78 Ohm Twinax from Pasternack Enterprises has same day shipment for domestic and International orders. We maintain 99% availability of the industry's broadest selection of RF, microwave and fiber optic products.

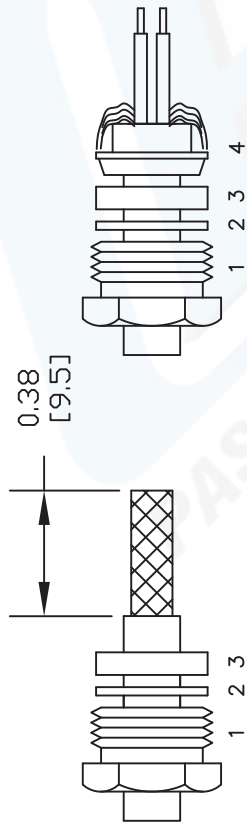
The information contained in this document is accurate to the best of our knowledge and representative of the part described herein. It may be necessary to make modifications to the part and/or the documentation of the part, in order to implement improvements. Pasternack reserves the right to make such changes as required. Unless otherwise stated, all specifications are nominal.

PE4236 CAD Drawing

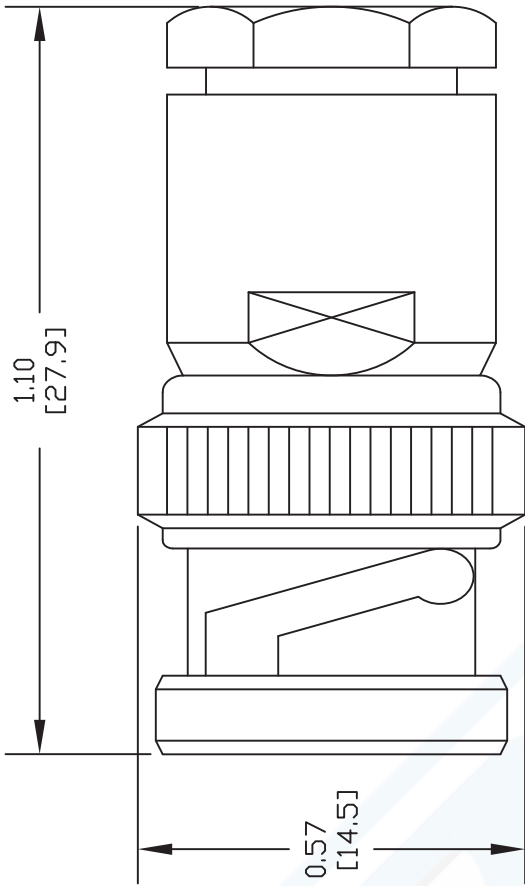
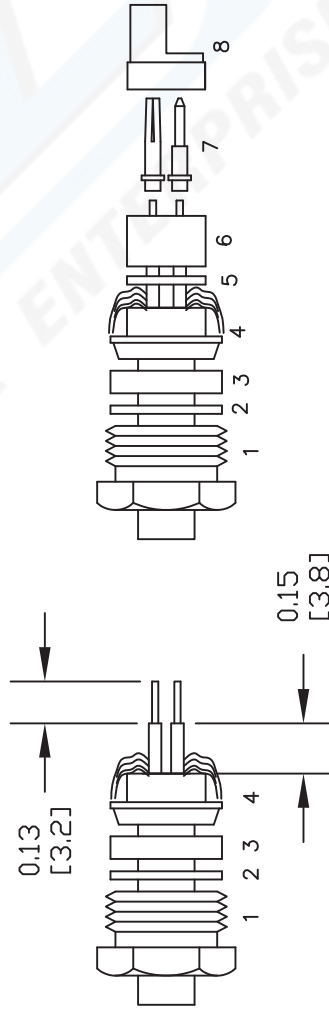
BNC Twinax Plug Connector Clamp/Solder Attachment For RG108, 78 Ohm Twinax

ASSEMBLY PROCEDURES

1. SLIDE CLAMP NUT (1), WASHER (2) & GASKET (3) OVER CABLE. STRIP CABLE TO DIMENSION SHOWN. DO NOT NICK BRAID & DIELECTRIC. COMB OUT BRAID. TAPER END OF BRAID TO PERMIT ASSEMBLY OF BRAID CLAMP (4). SLIDE BRAID CLAMP (4) OVER BRAID & BUTT AGAINST JACKET. FORM BRAID OVER CLAMP NUT (4). TRIM BRAID FLUSH WITH SHOULDER OF BRAID CLAMP (4).



2. STRIP CABLE TO DIMENSION SHOWN. SLIDE SMALL WASHER (5) & REAR INSULATOR (6) OVER DIELECTRICS. SOLDER CONTACTS (7) TO CENTER CONDUCTOR THROUGH HOLE IN CONTACT. CLEAN EXCESS SOLDER. SLIDE FRONT INSULATOR (8) OVER CONTACTS. SLIDE ASSEMBLY FORWARD INTO BODY & TIGHTEN.



DWG TITLE

PE4236

NOTES:
 1. UNLESS OTHERWISE SPECIFIED ALL DIMENSIONS ARE NOMINAL.
 2. ALL SPECIFICATIONS ARE SUBJECT TO CHANGE WITHOUT NOTICE AT ANY TIME.
 3. DIMENSIONS ARE IN INCHES [mm].
 4. FITS MIL-C-17 AND EQUIVALENT CABLES.

PASTERNAK ENTERPRISES®
 Pasternack Enterprises, Inc.
 P.O. Box 16759 | Irvine | CA | 92623
 Phone: (949) 261-1920 | Fax: (949) 261-7451
 Website: www.pasternack.com | E-Mail: sales@pasternack.com

FSCM NO. 53919

CAD FILE 123005

SCALE N/A

SIZE A

127