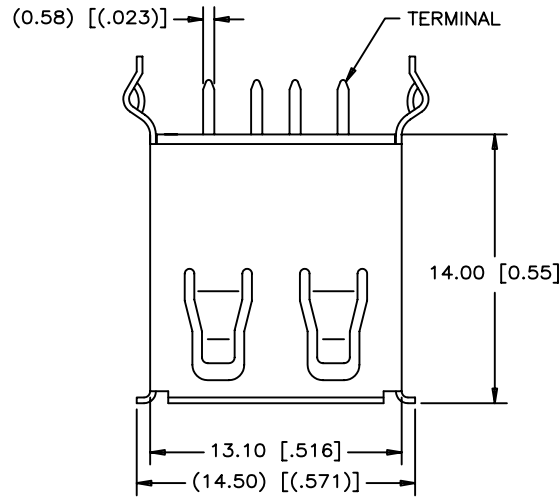


REVISIONS			
SYM	ZONE	ECN, ERN NO.	DATE
B		TEMP RATING NOTE ADDED	NOV06/08
			APPRD. A.G.



TOP VIEW

AMPHENOL PART NUMBER: U E 2 7 - A E X 4 - X O X

SERIES
UE27=RECEPTACLE

TYPE
A=SERIES A

STYLE
E=STRAIGHT PCB, VERTICAL MOUNT

CONTACT & SHIELD PLATING OPTION
5=30.in[0.76 MICRONS] GOLD OVER NICKEL ON CONTACT MATING AREA,
100.in[2.54 MICRONS] TIN PLATING ON CONTACT TAILS.

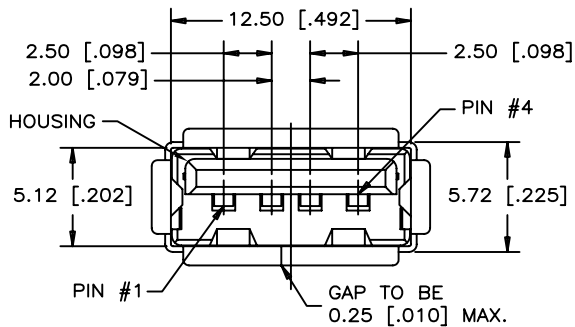
7=GOLD FLASH OVER NICKEL ON CONTACT MATING AREA,
100.in[2.54 MICRONS] TIN PLATING ON CONTACT TAILS.

MODIFIER
0=PBT HOUSING
H=HIGH TEMP HOUSING (MAXIMUM TEMPERATURE RATING: 260°C FOR 10s)

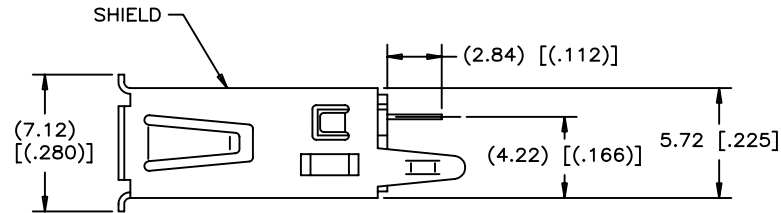
SHIELDING OPTION
0=STANDARD

COLOUR:
1=BLACK
2=BEIGE (AVAILABLE FOR STANDARD TEMP ONLY)

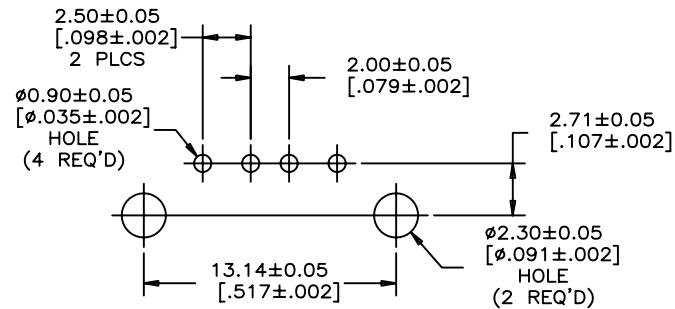
NUMBER OF CONTACTS
4=4 CONTACTS



FRONT VIEW



SIDE VIEW



RECOMMENDED P.C.B. LAYOUT
COMPONENT SIDE OF BOARD

NOTES:

- HOUSING: ENGINEERING THERMOPLASTIC, FLAMMABILITY UL94V-0.
- CONTACTS: COPPER ALLOY. CONTACT PLATING AS FOLLOW: SEE AMPHENOL PART NUMBER SYSTEM FOR PLATING OPTIONS.
- SHELL: COPPER ALLOY. PLATING: NICKEL OVER COPPER UNDERPLATE.



THIS DOCUMENT CONTAINS PROPRIETARY INFORMATION AND SUCH INFORMATION MAY NOT BE DISCLOSED TO OTHERS FOR ANY PURPOSE OR USED FOR MANUFACTURING PURPOSES WITHOUT WRITTEN PERMISSION FROM AMPHENOL CANADA CORP.

MATERIAL	DRAWN	Chigow	DATE	DEC05/05	Amphenol Canada Corp.
	DESIGNED				
FINISH	CHECKED	PAULW	DATE	DEC05/05	TITLE UNIVERSAL SERIAL BUS (SERIES A) RECEPTACLE, STRAIGHT PCB TAIL, VERTICAL MOUNT-RoHS COMPLIANT
	I. E. APPRD.				
	Q. A. APPRD.				DWG. DRAWING NO. P-UE27-AEX4-XOX
	DWG. APPRD.				
	ENG. REL. NO.				REV. B
	REF.				
	DIMENSIONS ARE IN	CODE ID. NO.	03554	SCALE	5/1
	mm/INCHES			WT.	
				SURF.	
				SHEET	1 OF 1