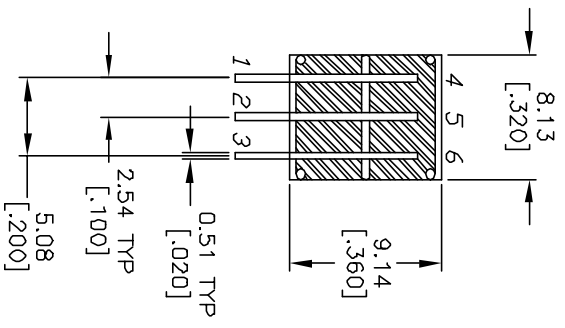
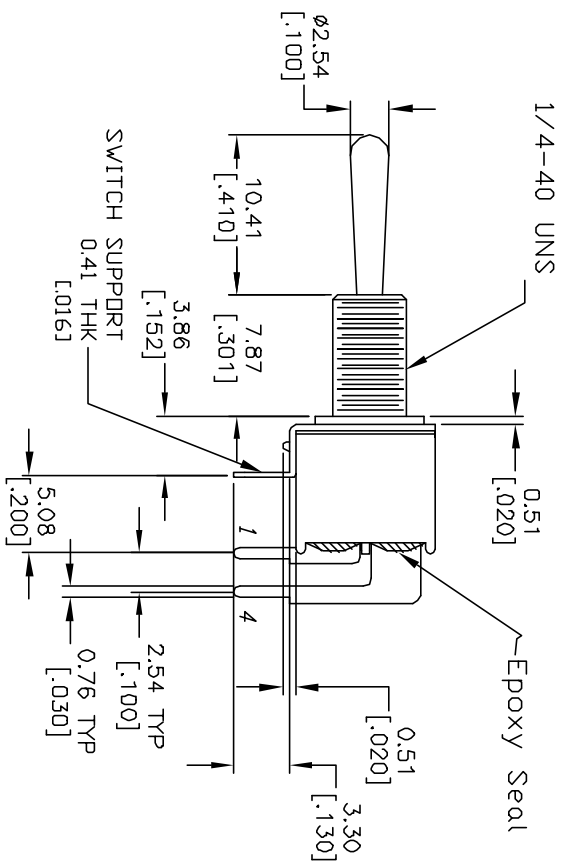
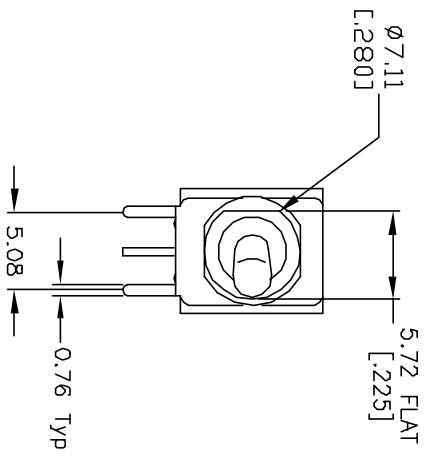
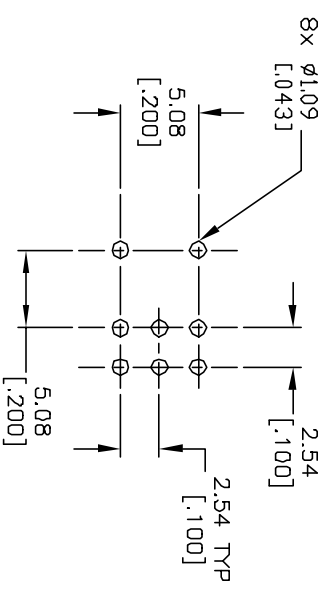
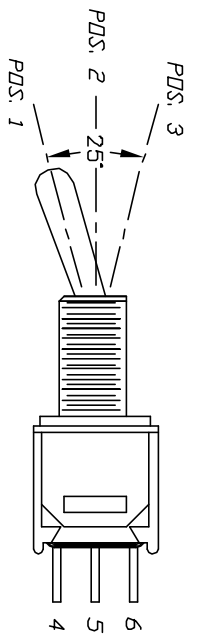


CONTACT CONFIGURATION

SWITCH FUNCTION		
POS. 1	POS. 2	POS. 3
DN	OFF	DN
2-3, 5-6	OPEN	2-1, 5-4



- NOTES:
1. ALL DIMENSIONS IN MM [INCH]
  2. GENERAL TOLERANCE: X.X=±0.4 X.XX=±0.25
  3. TERM. NOS. FOR REF. ONLY
  4. CONTACT RATING: 0.4 VA MAX. @ 20 VAC OR DC MAX
  5. FIXED TERMINAL & MOVING CONTACT: COPPER ALLOY W/ GOLD PLATE OVER NICKEL PLATE
  6. ELECTRIC LIFE: 30,000 make-and-break cycles at full load.
  7. INSULATION RESISTANCE: 1,000 MΩ MIN.
  8. DIELECTRIC STRENGTH: 1,000 V RMS @sea level.
  9. OPERATING TEMP.: -30°C to 85°C

**E-SWITCH®**

REV. A		11731		RELEASED FOR PRODUCTION		10/11/01		CJC		TITLE		200 MDP-3 T4 B5 M6 R E							
ECN No.		DESCRIPTION		DATE		CHKD		SCALE		DATE		DR							
11731		RELEASED FOR PRODUCTION		10/11/01		CJC		2:1		10/11/01		CJC							
THE INFORMATION CONTAINED IN THIS DOCUMENT IS PROPRIETARY TO E-SWITCH AND IS NOT TO BE COPIED OR TRANSMITTED												Dwg		T201233		REV		A	