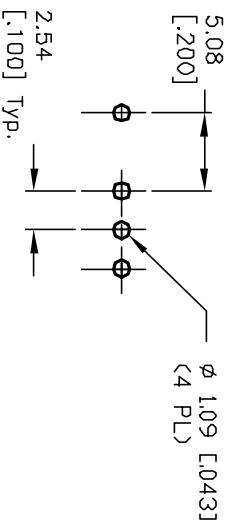


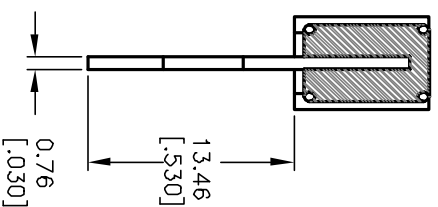
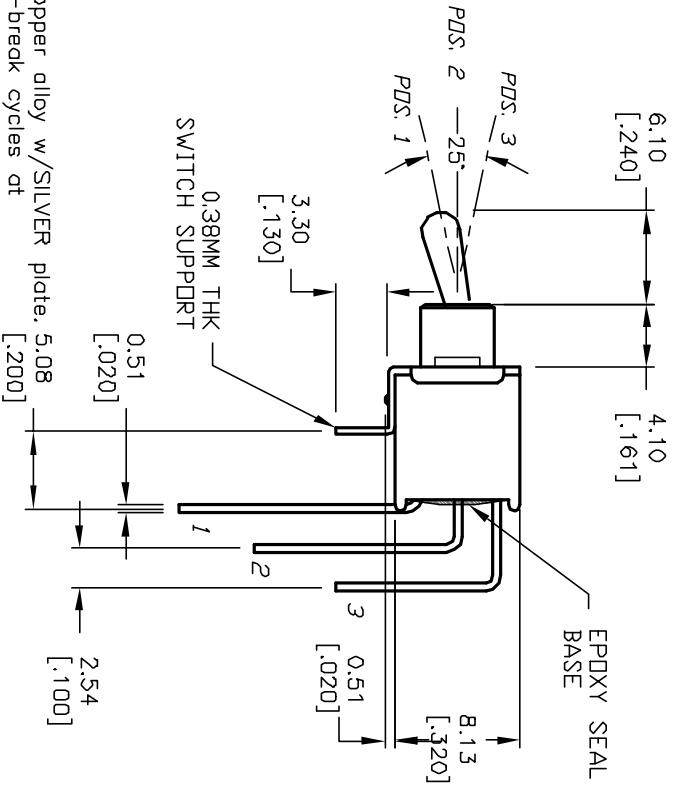
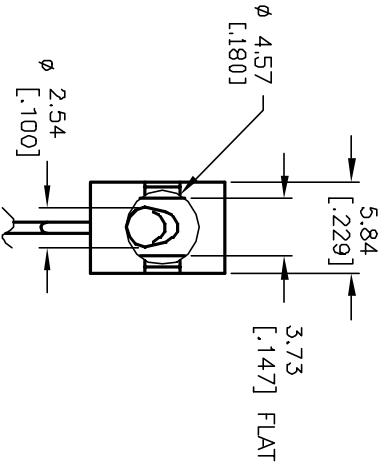
CIRCUIT: SPDT

CONTACT CONFIGURATION

SWITCH FUNCTION		
PDS. 1	PDS. 2	PDS. 3
DN	NONE	DN
2-3	OPEN	2-1



RECOMMENDED P.C.B. LAYOUT



NOTES:

1. ALL DIMENSIONS IN MM [INCH]
2. GENERAL TOLERANCE: X.X=±0.4 X.XX=±0.25
3. TERM. NOS. FOR REF. ONLY
4. RATING: 3@120VAC or 28V DC; 1@250VAC.
5. FIXED TERM. & MOVING CONTACT: Copper alloy w/SILVER plate. 5.08 full load.
6. ELECTRICAL LIFE: 50,000 make-and-break cycles at
7. INSULATION RESISTANCE: 1000M ohm min.
8. DIELECTRIC STRENGTH: 1000V RMS min. @sea level.
9. OPERATING TEMP.: -30°C to 85°C

**E-SWITCH®**

REV. A		12987		RELEASED FOR PRODUCTION		4/2/03		AR		TITLE		2004 WSP-3 T2 A1 M7 Q E		SCALE		2:1		DATE		4/2/03		DR		AR		DWG		T201217		REV		A	
ECN No.		DESCRIPTION		DATE		CHKD		SCALE		DATE		DR		DWG		REV		THE INFORMATION CONTAINED IN THIS DOCUMENT IS PROPRIETARY TO E-SWITCH AND IS NOT TO BE COPIED OR TRANSMITTED															