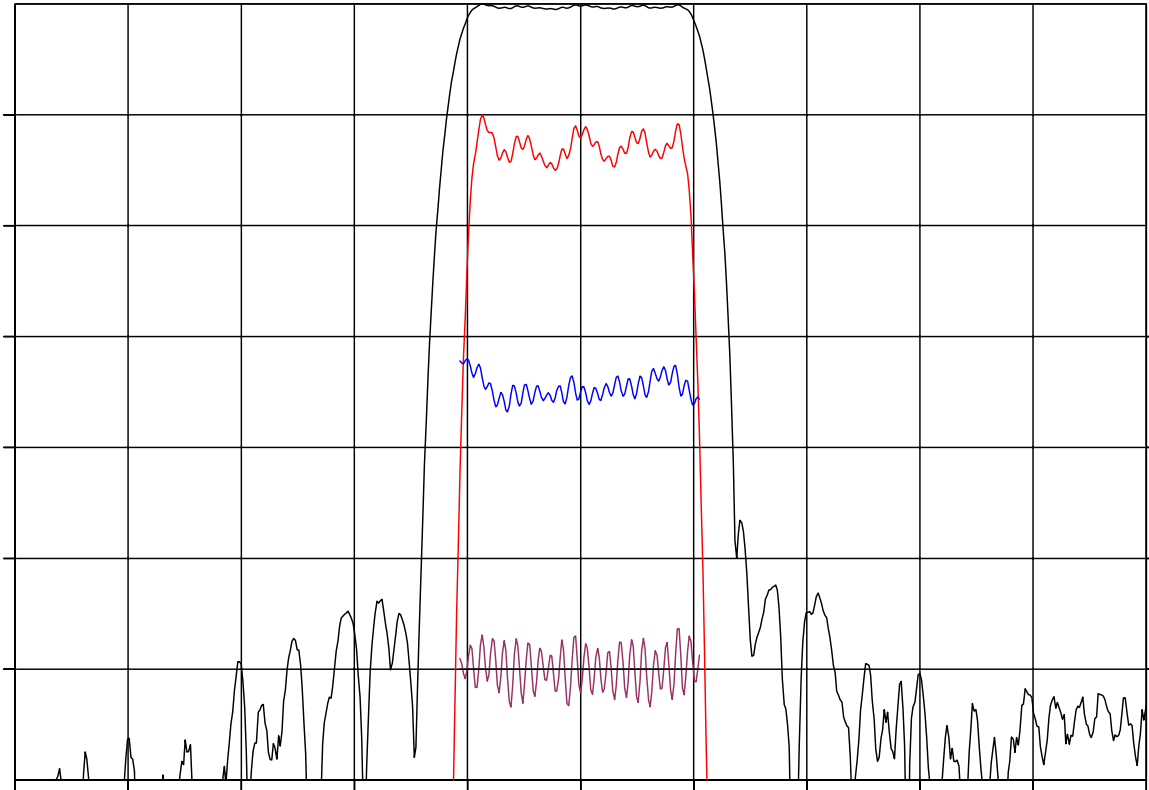


DESCRIPTION

- 426 MHz SAW bandpass filter with 9.2 MHz bandwidth.
- 13.3 x 6.5 mm LCC package.
- RoHS compliant.

TYPICAL PERFORMANCE



Horizontal: 5 MHz/div

Vertical (from top):

Magnitude : 10 dB/div
 Magnitude : 1 dB/div
 Phase Linearity : 5 deg/div
 Group Delay : 50 ns/div

SPECIFICATION

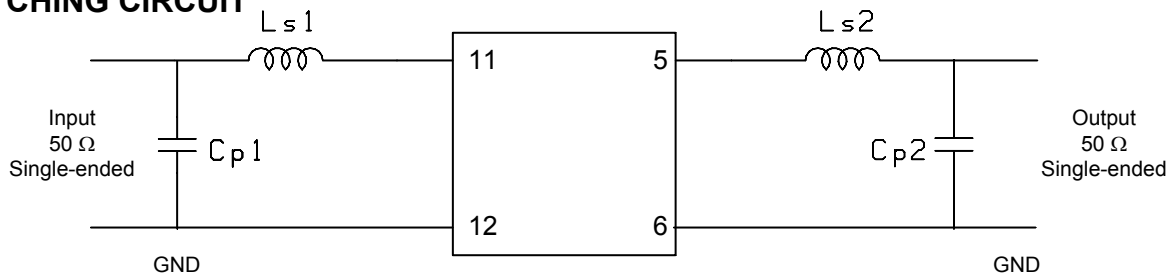
Parameter	Min	Typ	Max	Units
Center Frequency F_c ¹	-	426	-	MHz
Insertion Loss ²	-	21.3	22	dB
Unit-to-unit Insertion Loss Variation (at room temperature 25°C)		±0.5		dB
Variation of Insertion Loss over operating temperature range		±0.8		dB
Lower 1 dB Bandedge	-	421.0	421.4	MHz
Upper 1 dB Bandedge	430.6	431.0	-	MHz
Lower 3 dB Bandedge	-	420.7	421.0	MHz
Upper 3 dB Bandedge	431.0	431.3	-	MHz
Lower 40 dB Bandedge	418.8	419.1	-	MHz
Upper 40 dB Bandedge	-	432.7	433.2	MHz
Amplitude Variation, 421.4 – 430.6 MHz	-	0.6	1.0	dB p-p
Phase Linearity, 421.4 – 430.6 MHz	-	2.2	6	deg p-p
Group Delay Variation, 421.4 – 430.6 MHz	-	33	100	ns p-p
Maximum Group Delay Change Rate, 421.4 – 430.6 MHz	-	2.1	-	ns/10kHz
Absolute Delay	-	0.985	-	µs
Triple Transit Suppression	40	43.5	-	dBc
Rejection, 100 - 411 MHz ³	50	58	-	dB
Rejection, 441 - 500 MHz ³	50	55	-	dB
Source/Load Impedance		50		ohms

- Notes:
1. Average of the lower and upper 3 dB band edge frequencies
 2. Mean level over 421.4 – 430.6 MHz at room temperature 25°C
 3. All rejection levels are in dB relative to the insertion loss

MAXIMUM RATINGS

Parameter	Min	Max	Units
Storage Temperature Range	-45	85	°C
Operating Temperature Range	10	70	°C
Input Power Level	-	10	dBm

MATCHING CIRCUIT

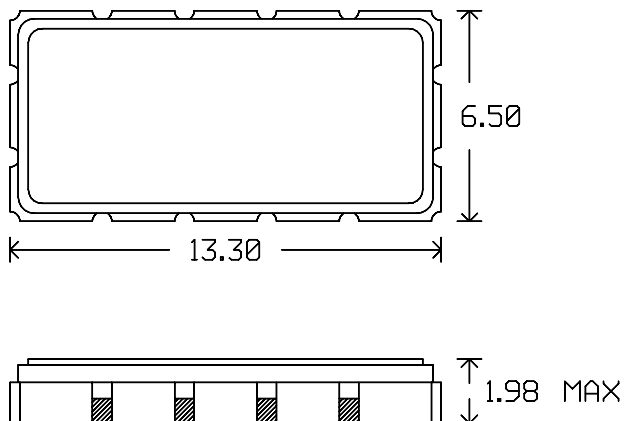


Typical component values: $Ls1 = 39\text{ nH}$ $Ls2 = 33\text{ nH}$
 $Cp1 = 15\text{ pF}$ $Cp2 = 22\text{ pF}$

Notes:

- 1. 2% tolerance matching components are recommended.
- 2. Tuning values shown are for reference only. Optimum values may change depending upon board layout.

PACKAGE OUTLINE



Units: mm

Tolerances are $\pm 0.15\text{ mm}$ except for the overall length and width, which are nominal values.

Pad Configuration:

Input: 11
 Input Return: 12
 Output: 5
 Output Return: 6
 Ground: 1,2,3,4,7,8,9,10

Package Material:
 Body: Al_2O_3 ceramic
 Lid: Kovar, Ni plated
 Terminations: Au plating $1\text{ }\mu\text{m}$ min,
 over a $1.3\text{-}8.9\text{ }\mu\text{m}$ Ni plating

ISO 9001
 Registered

All specifications are believed to be accurate and reliable. However, Spectrum Microwave reserves the right to make changes without notice.
 © 2010 All rights reserved.