

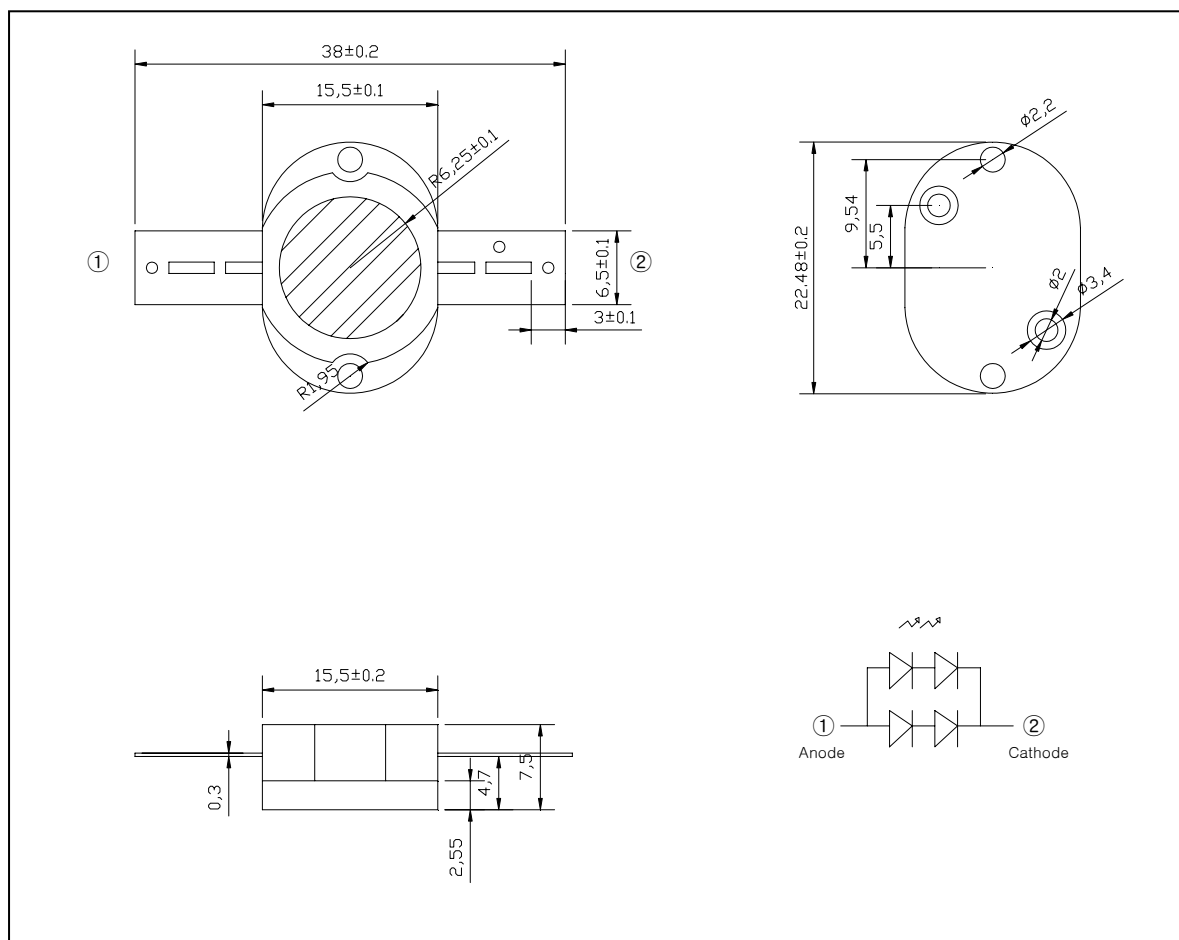
1. Features

- ◆ Small Footprint Surface Mount Package (22.48 L × 38 W × 7.5 H [mm])
- ◆ Typical Forward Voltage(V_F) : 9.6 V @ Forward Current(I_F)=700mA
- ◆ Operation Temperature from -40°C to $+85^{\circ}\text{C}$
- ◆ Soldering methods : IR reflow soldering
- ◆ Taping : 8 mm conductive black carrier tape & antistatic clear cover tape

2. Applications

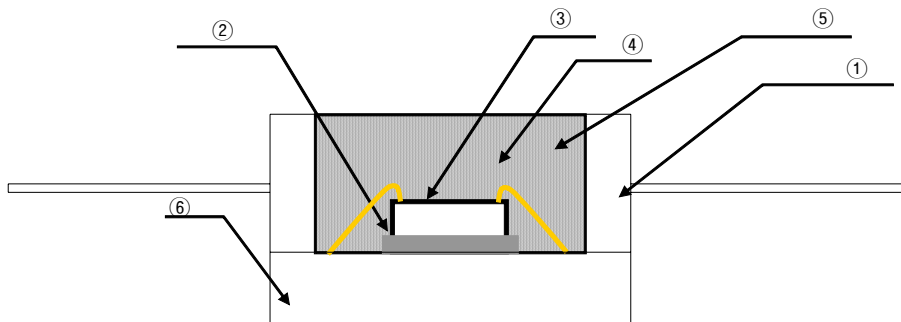
- ◆ Down Light

3. Outline Dimensions and Material Descriptions



The contents of this data sheet are subject to change without advance notice for the purpose of improvement. When using this product, would you please refer to the latest specifications.

◆ Material Descriptions



No.	ITEM	Material
①	Frame Resine	Polymer
②	Paste	Clear Epoxy
③	Blue LED Chip	InGaN/Al ₂ O ₃
④	Wire	Au
⑤	Encapsulant	Phosphor Epoxy
⑥	Electrode	Ag Plated Cu

4. Absolute Maximum

Item	Symbol	Min.	Max.	Unit	Conditions
Forward Current	I _F	-	700	mA	
Peak Forward Current ^{*1}	I _{FP}	-	1000	mA	per die
Power Dissipation	P _D	-	5000	mW	
Reverse Voltage	V _R	-	6.6	V	per die
Operating Temperature	T _{OP}	-40	85	°C	
Storage Temperature	T _S	-40	100	°C	
Soldering Temperature ^{*2}	T _{sol}	-	260	°C	

*1. IFP was measured at Tw ≤ 1 msec of pulse width and D ≤ 1/10 of duty ratio.

*2. Soldering time : 5 Sec

5. Electrical / Optical Characteristics

(Ta=25°C)

Item	Symbol	Min.	Typ.	Max.	Unit	Conditions
Forward voltage ^{*3}	V _F	-	9.6	-	V	I _F =700mA
Reverse current	I _R	-	-	10	μA	V _R =5V
Luminous intensity ^{*1,3}	I _v	500.0	-	700.0	lm	I _F =700mA
Half angle ^{*2}	2θ _{1/2}	-	120	-	deg	I _F =700mA

*1. The luminous intensity I_v was measured at the peak of the spatial pattern which

The contents of this data sheet are subject to change without advance notice for the purpose of improvement. When using this product, would you please refer to the latest specifications.

may not be aligned with the mechanical axis of the LED package.

*2. $2\theta_{1/2}$ is the off-axis where the luminous intensity is 1/2 of the peak intensity.

*3. Measuring Tolerance

- V_F : ± 0.1 V, I_V : $\pm 10\%$, X, Y : ± 0.01

6. Ranks

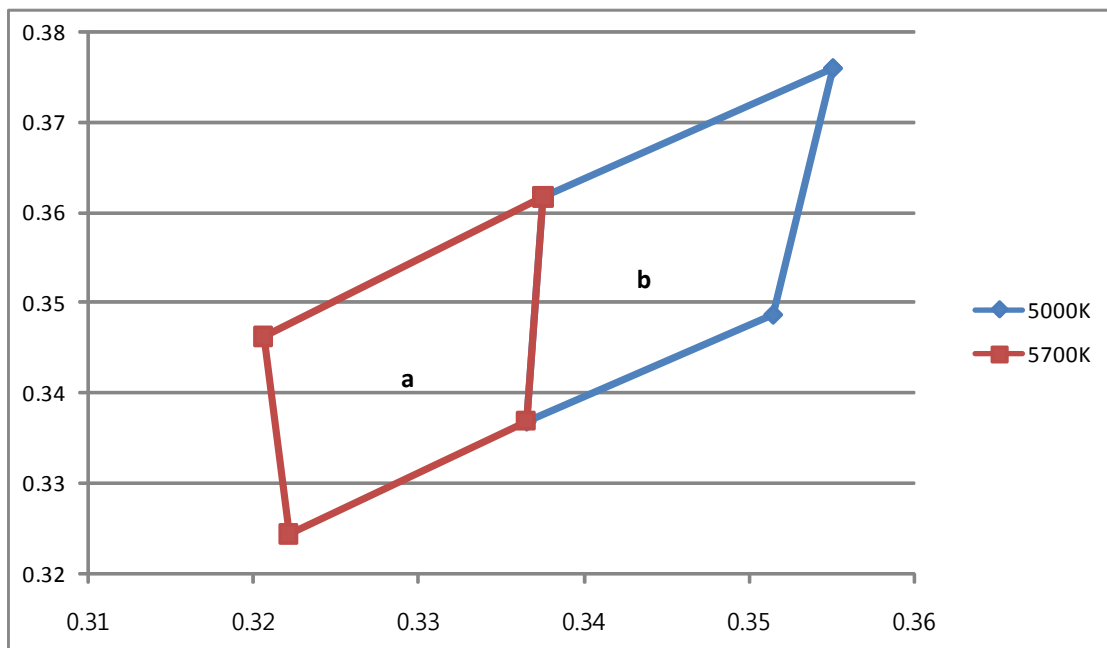
◆ I_V , V_F , Color Rank @ $I_F = 700$ mA

Luminous Intensity Range[mcd]		
Forward Voltage [V]	Luminous Intensity [lm]	Chromaticity
A : 9.2 ~ 9.4	1 : 500 ~ 600	a
B : 9.4 ~ 9.6	2 : 600 ~ 700	b
C : 9.6 ~ 9.8		

◆ Color Coordinate Rank

a		b	
x	y	x	y
0.3551	0.3760	0.3376	0.3616
0.3376	0.3616	0.3207	0.3462
0.3366	0.3369	0.3222	0.3243
0.3515	0.3487	0.3366	0.3369

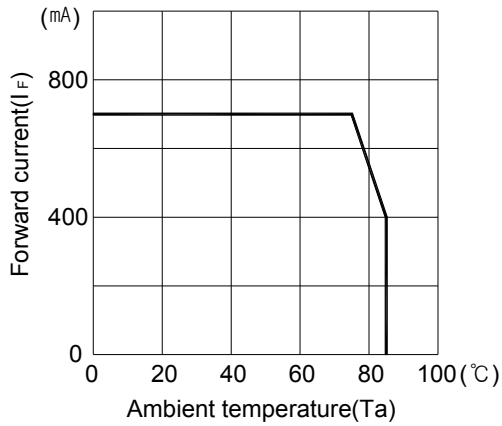
◆ The CIE(x, y) Chromaticity Diagram



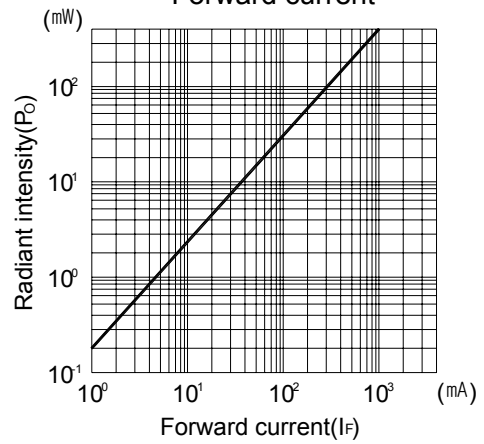
The contents of this data sheet are subject to change without advance notice for the purpose of improvement. When using this product, would you please refer to the latest specifications.

7. Characteristic Graphs

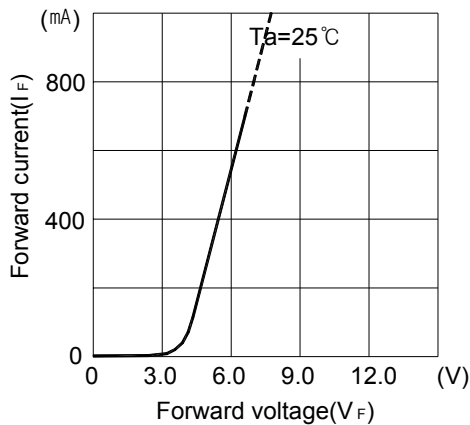
Forward current Vs. Ambient temperature



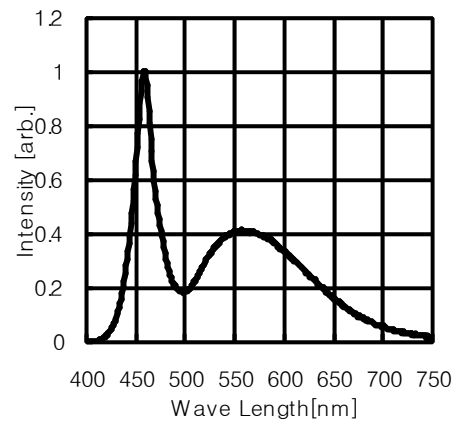
Relative intensity Vs. Forward current



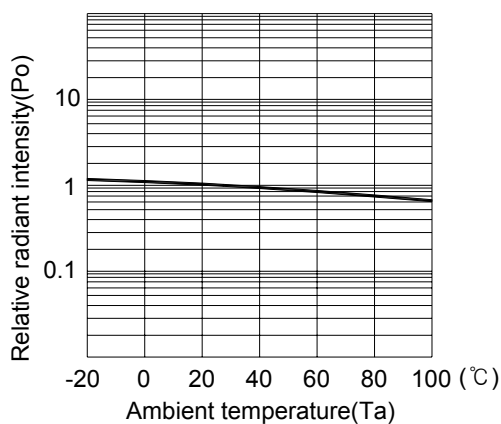
Forward current Vs. Forward voltage



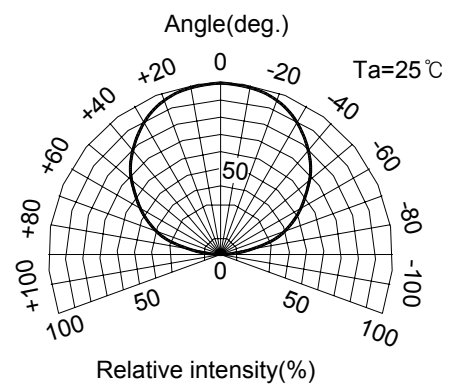
Relative intensity Vs. Wavelength



Relative radiant intensity Vs. Ambient temperature



Radiant Pattern



The contents of this data sheet are subject to change without advance notice for the purpose of improvement. When using this product, would you please refer to the latest specifications.