

**HEADERS CODINGS**

(CODING 2 SHOWN)

HEADERS CODINGS FOR MODULE T2 (32W)					
COLOR	CODING	DIM. A	DIM. B	DIM. C	DIM. D
BLACK	1	9.1	4.3	5.9	4.3
GREY	2	7.5	5.9	9.1	5.9
BROWN	3	5.9	7.5	9.1	9.1
GREEN	4	7.5	9.1	4.3	4.3
BLUE	5	4.3	7.5	5.9	5.9
YELLOW	6	9.1	7.5	4.3	7.5

(CODING 3 SHOWN)

HEADERS CODINGS FOR MODULE T3 (48W)					
COLOR	CODING	DIM. A	DIM. B	DIM. C	DIM. D
BLACK	1	12.9	6.3	8.5	6.3
GREY	2	10.7	8.5	12.9	8.5
BROWN	3	8.5	10.7	12.9	12.9
GREEN	4	10.7	12.9	6.3	6.3
BLUE	5	6.3	10.7	8.5	8.5
YELLOW	6	12.9	10.7	6.3	10.7

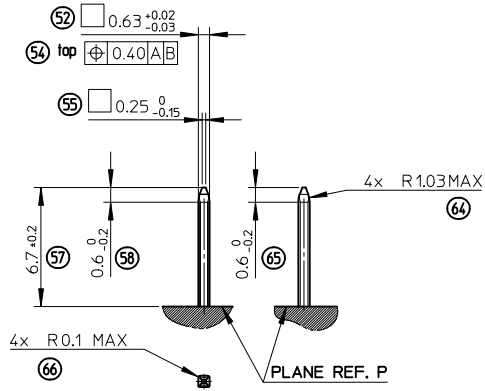
**NOTE:**

- 1- INTERFACE DEFINITION BASED ON NFR13-462 STANDARD.
- 2- HEADER: ELASTICITY MODULUS: 8000Mpa min. (INITIAL CONDITION BEFORE AGEING)

<b>ENTER DESCRIPTION</b> EC NO: G2010-0220 DRAWN: POCHELE 2010/05/20 CHKD: J. GIURIATO 2008/10/03 APPR: CBOUCHAN 2010/06/29	<b>GENERAL TOLERANCES (UNLESS SPECIFIED)</b> <table border="1"> <tr> <th></th> <th>m/m</th> <th>INCH</th> </tr> <tr> <td>4 PLACES</td> <td>± ---</td> <td>± ---</td> </tr> <tr> <td>3 PLACES</td> <td>± ---</td> <td>± ---</td> </tr> <tr> <td>2 PLACES</td> <td>± 0.10</td> <td>± ---</td> </tr> <tr> <td>1 PLACE</td> <td>± 0.10</td> <td>± ---</td> </tr> </table>			m/m	INCH	4 PLACES	± ---	± ---	3 PLACES	± ---	± ---	2 PLACES	± 0.10	± ---	1 PLACE	± 0.10	± ---	<b>DIMENSION STYLE</b> MM ONLY	<b>SCALE</b> 2:1	<b>DESIGN UNITS</b> METRIC	<b>FIRST ANGLE PROJECTION</b>
		m/m	INCH																		
4 PLACES	± ---	± ---																			
3 PLACES	± ---	± ---																			
2 PLACES	± 0.10	± ---																			
1 PLACE	± 0.10	± ---																			
<b>REVISIONS</b> B	<b>DRAFT WHERE APPLICABLE MUST REMAIN WITHIN DIMENSIONS</b>	<b>DRAWN BY</b> G. DESBRUERES <b>CHECKED BY</b> J. GIURIATO <b>APPROVED BY</b> O. PLESSIS	<b>DATE</b> 2008/10/02 <b>DATE</b> 2008/10/03 <b>DATE</b> 2008/10/06	<b>TITLE</b> INTERFACES FOR CONNECTOR 32 & 48 CKT CMC GENERIC SALES DRAWING	<b>MATERIAL NO.</b> N/A	<b>DOCUMENT NO.</b> SD-98644-006															

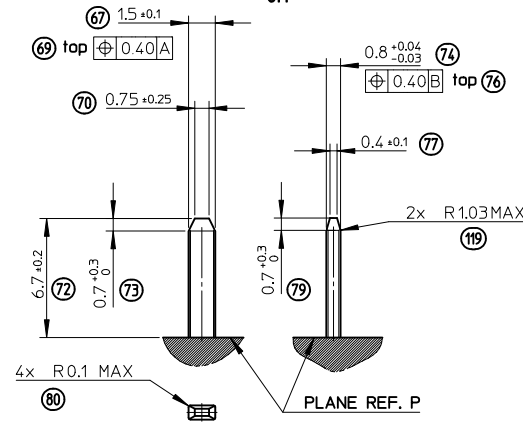
**PINS 0.635 DEFINITION**

5:1



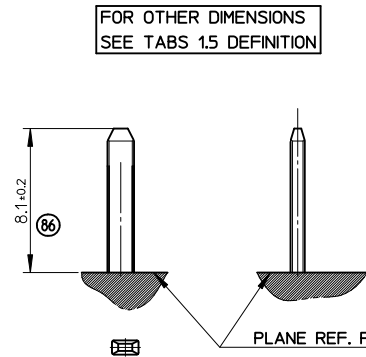
**TABS 1.5 DEFINITION**

5:1



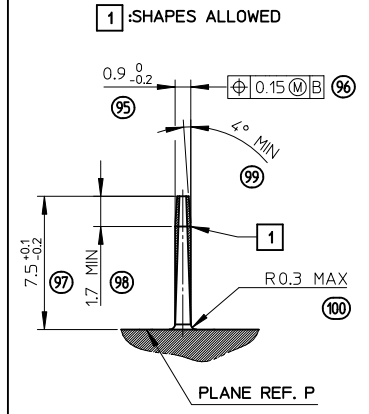
**GROUND TABS 1.5 DEFINITION**

5:1



**PROTECTION WALL DEFINITION**

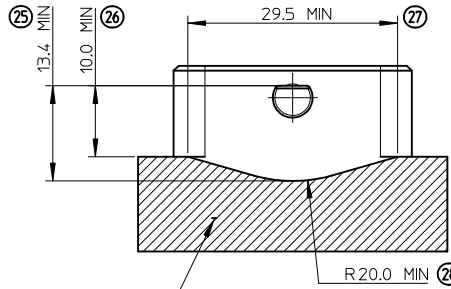
5:1



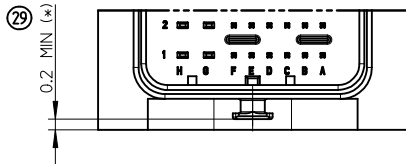
**LOCKING AXIS PROTECTION**

2:1

**MANDATORY OVERTHICKNESS: dimension noted (\*)  
IF THE LOCKING AXIS ARE OUT OF  
EQUIPMENT OVERALL DIMENSIONS.**

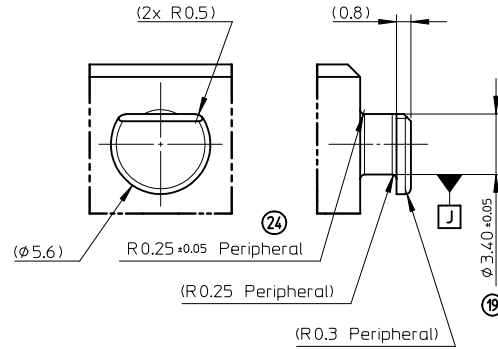


**ADMISSIBLE SHAPES WITH OVERTHICKNESS 0.2 MIN (\*)**



**LOCKING AXIS DEFINITION**

5:1



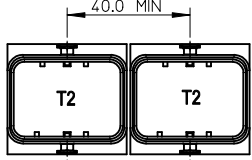
<b>ENTER DESCRIPTION</b> EC NO: G2010-0220 DRAWN: P. CHELE 2010/05/20 CHKD: J. GIURIATO 2008/10/03 APPR: C. BOUCHAN 2010/06/29	GENERAL TOLERANCES (UNLESS SPECIFIED)		DIMENSION STYLE <b>MM ONLY</b>		SCALE 1:1	DESIGN UNITS METRIC	FIRST ANGLE PROJECTION	
	4 PLACES ± --- ± ---	3 PLACES ± --- ± ---	2 PLACES ± 0.10 ± ---	1 PLACE ± 0.10 ± ---	DRAWN BY G. DESBRUERES 2008/10/02	DATE 2008/10/02	TITLE INTERFACES FOR CONNECTOR 32 & 48 CKT CMC GENERIC SALES DRAWING	
	ANGULAR ± 2°				CHECKED BY J. GIURIATO 2008/10/03	DATE 2008/10/03	MOLEX INCORPORATED	
	DRAFT WHERE APPLICABLE MUST REMAIN WITHIN DIMENSIONS				APPROVED BY O. PLESSIS 2008/10/06	DATE 2008/10/06	MATERIAL NO. N/A	DOCUMENT NO. SD-98644-006
SIZE A2				THIS DRAWING CONTAINS INFORMATION THAT IS PROPRIETARY TO MOLEX INCORPORATED AND SHOULD NOT BE USED WITHOUT WRITTEN PERMISSION				SHEET NO. 2 OF 3

# CONNECTOR ON HEADER - OVERALL DIMENSIONS

MULTI-HEADERS LAYOUT

### LAYOUT FOR TWO INTERFACES T2 (32W)

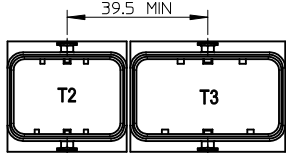
FOR SAME HARNESS EXIT CONFIGURATION



FOR OPPOSITE HARNESS EXIT CONFIGURATION

### LAYOUT FOR TWO INTERFACES T2 (32W) AND T3 (48W)

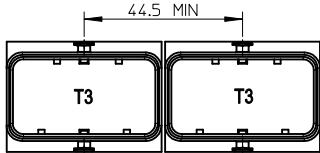
FOR SAME HARNESS EXIT CONFIGURATION



FOR OPPOSITE HARNESS EXIT CONFIGURATION

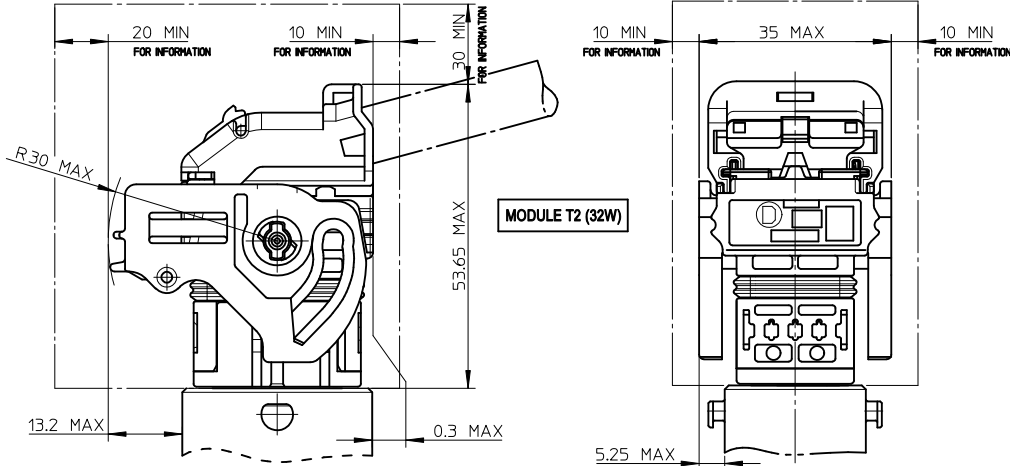
### LAYOUT FOR TWO INTERFACES T3 (48W)

FOR SAME HARNESS EXIT CONFIGURATION

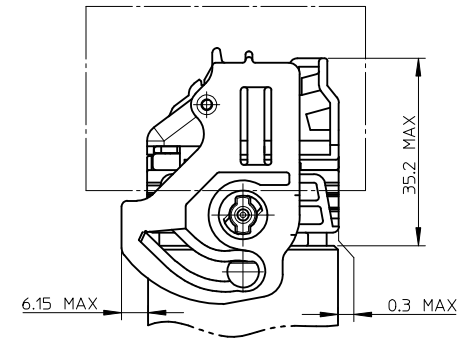


FOR OPPOSITE HARNESS EXIT CONFIGURATION

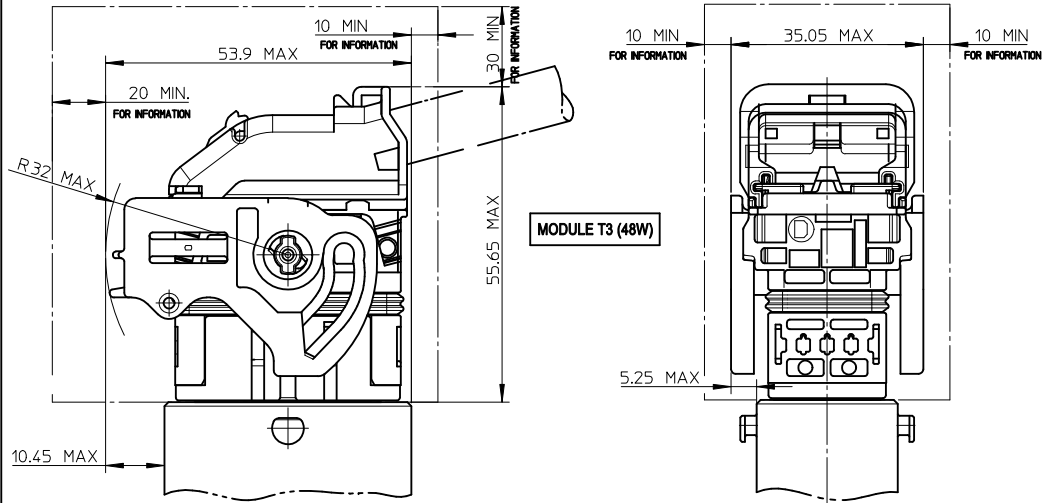
### UNLOCKED CONNECTOR - OVERALL DIMENSIONS



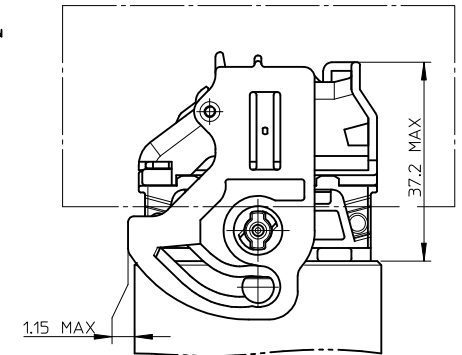
### LOCKED CONNECTOR - OVERALL DIMENSIONS



### UNLOCKED CONNECTOR - OVERALL DIMENSIONS



### LOCKED CONNECTOR - OVERALL DIMENSIONS



NOTE:  
1- T2 = 32 WAY / T3 = 48 WAY

### LEGEND:



FREE VOLUME FOR MANUAL LOCKING AND UNLOCKING  
DIMENSIONS GIVEN FOR INFORMATION ONLY TO BE  
CONFIRMED BASED UPON VEHICLE CONFIGURATION.

REV	DESCRIPTION
01	ENTER DESCRIPTION
02	EC NO: G2010-0220
03	DRW: NPDECHELE 2010/05/20
04	CHK: J. GIURIATO 2008/10/03
05	APPR: EBOULCHAN 2010/06/29

### GENERAL TOLERANCES (UNLESS SPECIFIED)

	mm	INCH
4 PLACES	± 0.10	± 0.004
3 PLACES	± 0.15	± 0.006
2 PLACES	± 0.20	± 0.008
1 PLACE	± 0.30	± 0.012
ANGULAR ± 2 °		

DRAFT WHERE APPLICABLE  
MUST REMAIN  
WITHIN DIMENSIONS

### DIMENSION STYLE

MM ONLY	DATE
DRAWN BY	G. DESBRUERES 2008/10/02
CHECKED BY	J. GIURIATO 2008/10/03
APPROVED BY	O. PLESSIS 2008/10/06
MATERIAL NO.	N/A

### SCALE DESIGN UNITS

SCALE	1:1
DESIGN UNITS	METRIC
FIRST ANGLE PROJECTION	

TITLE	INTERFACES FOR CONNECTOR 32 & 48 CKT CMC GENERIC SALES DRAWING
MOLEX INCORPORATED	
DOCUMENT NO.	SD-98644-006
SHEET NO.	3 OF 3

THIS DRAWING CONTAINS INFORMATION THAT IS PROPRIETARY TO MOLEX  
INCORPORATED AND SHOULD NOT BE USED WITHOUT WRITTEN PERMISSION