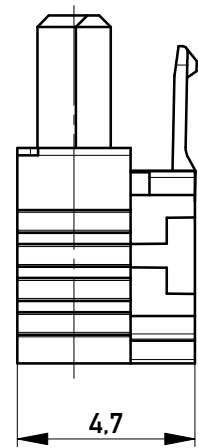
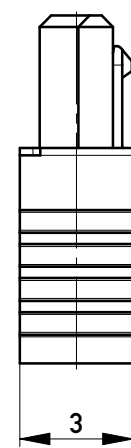


Kabelführung: schwarz
cable guide: black

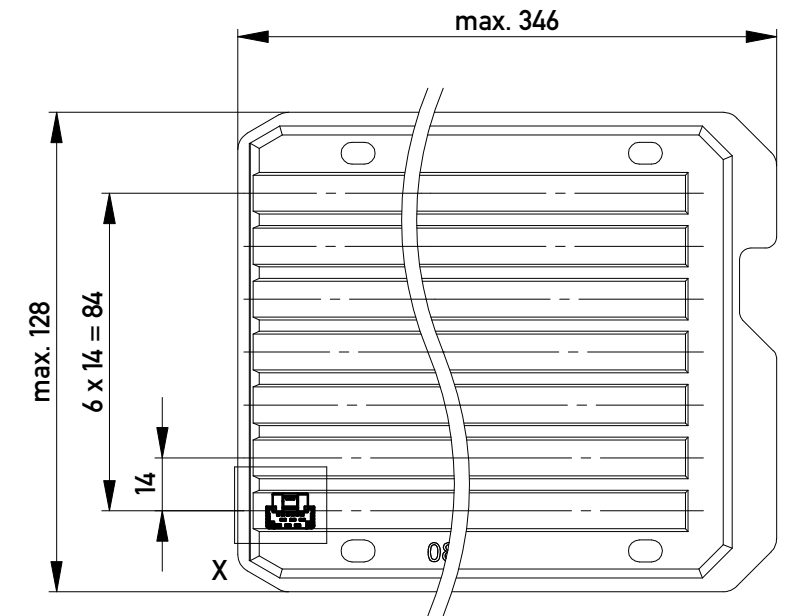


mit aufgesetzter
Kabelführung
(Anlieferungszustand)
with cable guide mounted
(state at time of supply)

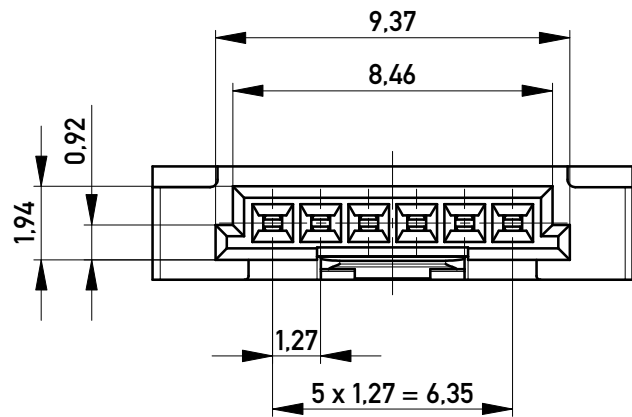
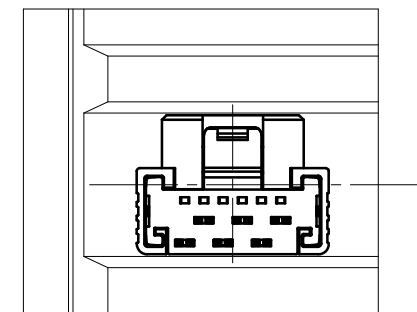


Kabelführung verpresst
(cable guide pressed on)

Verpackt in Tray - tray packaging
Verpackungseinheit 168 Stück - packaging unit 168 pcs



Einzelheit X - detail X
M 2:1



* Federkontakt AWG 24-26 - Female Contact AWG 24-26
Kabelführung $\varnothing 1,07$ - cable guide $\varnothing 1,07$

ohne Hilfsmittel lösbar
without tool unlockable

Information:		Tolerances		Scale	5:1
All rights reserved. Only for Information. To ensure that this is the latest version of this drawing, please contact one of the ERNI companies before using.		Subject to modification without prior notice. Drawing will not be updated.		Designation	
www.ERNI.com		100103580001		K	
b	19.05.2014	Class		SRCA	
Index	Date			A3	

Copyright by ERNI GmbH
Proprietary notice pursuant to ISO 16016 to be observed.