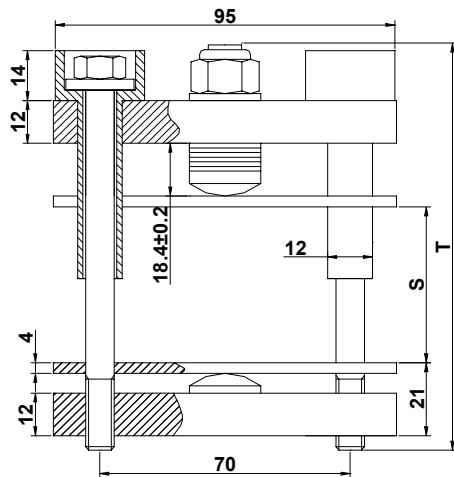


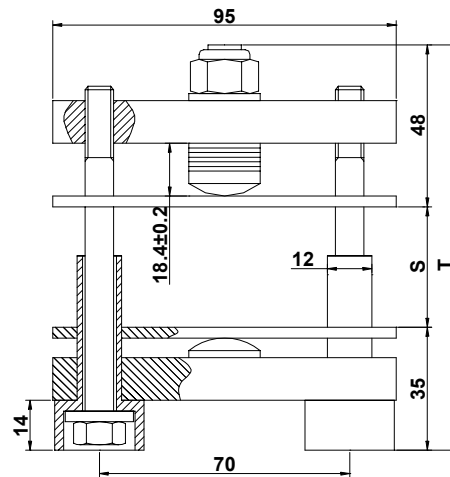
GC70...R

BAR CLAMP FOR HOCKEY PUKS

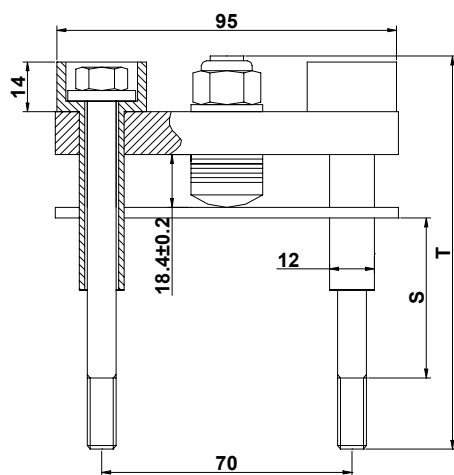
- Various lengths of bolts and insulators
- Round shaped clamping head for optimal clamping force application
- Pre-loaded to the specific clamping force
- Four clamps styles
- Gold iridite plating
- User friendly clamping force indicator
- UL94 certified insulation material



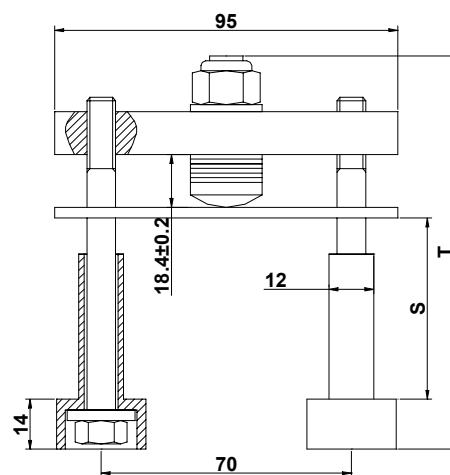
GC70BN...R



GC70BR...R




GC70SN...R



GC70SR...R

Dimensions in millimeters

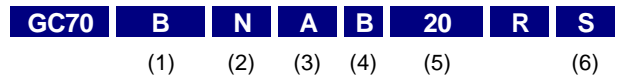
T: Max total height (see table)
S: Clearance allowed (see table)

Parameter	Unit	Types/Testing conditions/Notes	Values	
			Min	Max
Weight	g	GC70S...	420	520
		GC70B...	590	730
Clamping Force*	kN	GC70...12	12	
		GC70...15	15	
		GC70...20	20	
		GC70...22	22	
Insulation Voltage	V _{RMS}	1 min	3000	
Insulating Material		UL File: E121562	 Noryl ®	
Max. working temperature	°C		110	
Min. working temperature	°C		-30	
Storage temperature	°C		-40/110	

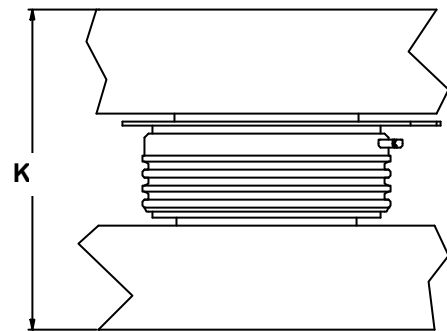
* Other clamping forces available: contact factory

ORDERING INFORMATION TABLE

Clamps can be ordered using the following part numbering system



(1) Construction type:	B = with double bar S = with single bar
(2) Insulator position:	N = upper side R = lower side
(3) Insulator code:	see table below
(4) Bolt code:	see table below
(5) Clamping force (in kN):	12
	15
	20
	22
(6) Special accessories	blank = no accessories
	S = extra metal spacer
	D = pressure disc in place of pressure bar



K: Total thickness of the assembly to be clamped

For thicknesses $S'_{Min} < K < S_{Min}$ an additional 4 mm thick metal spacer is needed (see list of special accessories)

Type GC70BN...: suggested insulator/bolt types

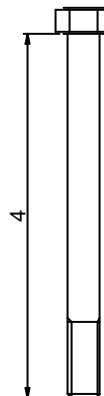
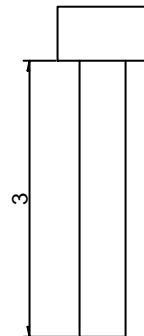
Allowed clearance S			Insulator choice		Bolt choice		Max height
S' Min [mm]**	S Min [mm]	SMax [mm]	(3)	Ins. Lenght [mm]	(4)	Bolt Lenght [mm]	T [mm]
35	39	46	B	70	A	110	122
45	49	56	B	70	B	120	132
55	59	66	B/C	70/95**	C	130	142
65	69	76	C	95	D	140	152
75	79	86	C	95	E	150	162
85	89	96	D	120	F	160	172

** with additional metal spacer only

Type GC70BR...: suggested insulator/bolt types

Allowed clearance S			Insulator choice		Bolt choice		Max height
S' Min [mm]**	S Min [mm]	SMax [mm]	(3)	Ins. Lenght [mm]	(4)	Bolt Lenght [mm]	T [mm]
35	39	46	A	50	A	110	125
45	49	56	A/B	50/70*	B	120	135
55	59	66	B	70	C	130	145
65	69	76	B	70	D	140	155
75	79	86	C	95	E	150	165
85	89	96	C	95	F	160	175

** with additional metal spacer only

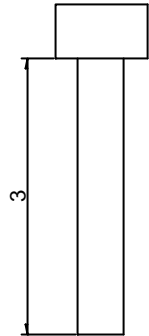


In the interest of product improvement Green Power Semiconductors reserves the right to change any specification given in this data sheet without notice.

Type GC70SN...: suggested insulator/bolt types

Allowed clearance S			Insulator choice		Bolt choice		Max height
S' Min[mm]**	S Min [mm]	SMax [mm]	(3)	Ins. Lenght [mm]	(4)	Bolt Lenght [mm]	T [mm]
44	48	55	B	70	A	110	122
54	58	65	B	70	B	120	132
64	68	75	B/C	70/95	C	130	142
74	78	85	C	95	D	140	152
84	88	95	C/D	95/120	E	150	162
94	98	105	D	120	F	160	172

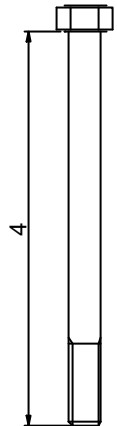
** with additional metal spacer only



Type GC70SR...: suggested insulator/bolt types

Allowed clearance S			Insulator choice		Bolt choice		Max height
S' Min[mm]**	S Min [mm]	SMax [mm]	(3)	Ins. Lenght [mm]	(4)	Bolt Lenght [mm]	T [mm]
56	60	67	A	50	A	110	130
66	70	77	A/B	50/70*	B	120	140
76	80	87	A/B	50/70	C	130	150
86	90	97	B	70	D	140	160
96	100	107	B/C	70/95	E	150	170
106	110	117	C	95	F	160	180

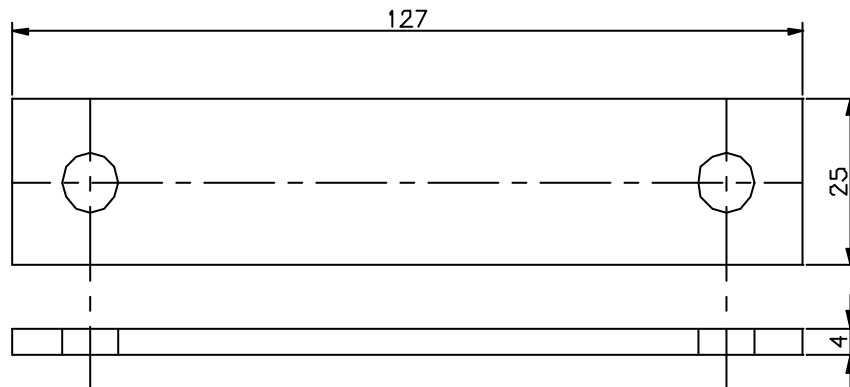
** with additional metal spacer only



SPECIAL ACCESSORIES

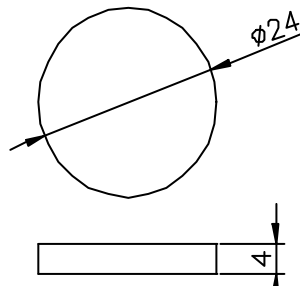
The following special accessories are available

Metal spacer



Pressure disc

Suggested groove diameter 27mm +/- 0.5



In the interest of product improvement Green Power Semiconductors reserves the right to change any specification given in this data sheet without notice.