

Ultra-Low On-Resistance, 6A Load Switch with Soft Start

Features

- **15mW(Typical) On-resistance**
- **6A Continuous Current**
- **Soft Start Time Programmable by External Capacitor**
- **Wide Input Voltage Range (VIN): 0.8V to 5.5V**
- **Supply Voltage Range (VBIAS): 3V to 5.5V**
- **Output Discharge when Switch Disabled**
- **Reverse Current Blocking when Switch Disabled**
- **Over-Temperature Protection**
- **Enable Input**
- **Lead Free and Green Devices Available (RoHS Compliant)**

General Description

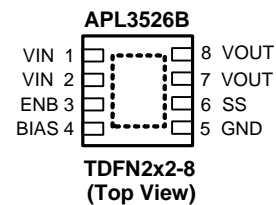
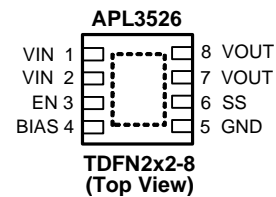
The APL3526/B is an ultra-low on-resistance, power-distribution switch with external soft start control. It integrates a N-channel MOSFET that can deliver 6A continuous load current each.


The device integrates over-temperature protection. The over temperature protection function shuts down the N-channel MOSFET power switch when the junction temperature rises beyond 160°C and will automatically turns on the power switch when the temperature drops by 40°C. The device is available in lead free TDFN2x2-8 packages.

Applications

- **Notebook**
- **AIO PC**

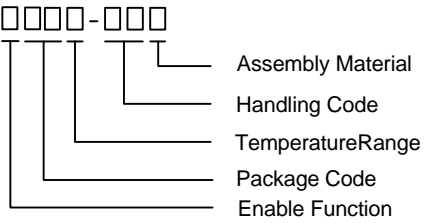
Pin Configurations



 = Exposed Pad (connected to ground plane for better heat dissipation)

ANPEC reserves the right to make changes to improve reliability or manufacturability without notice, and advise customers to obtain the latest version of relevant information to verify before placing orders.

Ordering and Marking Information

<p>APL3526/B □□□□-□□□□</p>  <p>Assembly Material Handling Code Temperature Range Package Code Enable Function</p>	<p>Enable Function Blank : Active High B : Active Low Package Code QB : TDFN2x2-8 Operating Ambient Temperature Range I : -40 to 85°C Handling Code TR : Tape & Reel Assembly Material G : Halogen and Lead Free Device</p>		
<p>APL3526 QB: <table border="1" style="display: inline-table; vertical-align: middle;"><tr><td>L26</td></tr><tr><td>• X</td></tr></table> X-Date Code</p>	L26	• X	
L26			
• X			
<p>APL3526B QB: <table border="1" style="display: inline-table; vertical-align: middle;"><tr><td>26B</td></tr><tr><td>• X</td></tr></table> X-Date Code</p>	26B	• X	
26B			
• X			

Note : ANPEC lead-free products contain molding compounds/die attach materials and 100% matte tin plate termination finish; which are fully compliant with RoHS. ANPEC lead-free products meet or exceed the lead-free requirements of IPC/JEDEC J-STD-020D for MSL classification at lead-free peak reflow temperature. ANPEC defines "Green" to mean lead-free (RoHS compliant) and halogen free (Br or Cl does not exceed 900ppm by weight in homogeneous material and total of Br and Cl does not exceed 1500ppm by weight).

Absolute Maximum Ratings (Note 1)

Symbol	Parameter	Rating	Unit
V _{BIAS}	BAIS to GND Voltage	-0.3 ~ 6	V
V _{IN}	VIN to GND Voltage	-0.3 ~ 6	V
V _{OUT}	VOUT to GND Voltage	-0.3 ~ 6	V
V _{EN} , V _{ENB}	EN or ENB to GND Voltage	-0.3 ~ 6	V
T _J	Maximum Junction Temperature	-40 ~ 150	°C
T _{STG}	Storage Temperature	-65 ~ 150	°C
T _{SDR}	Maximum Lead Soldering Temperature (10 Seconds)	260	°C

Note1: Stresses beyond those listed under "absolute maximum ratings" may cause permanent damage to the device. These are stress ratings only and functional operation of the device at these or any other conditions beyond those indicated under "recommended operating conditions" is not implied. Exposure to absolute maximum rating conditions for extended periods may affect device reliability.

Thermal Characteristics

Symbol	Parameter	Typical Value	Unit
θ _{JA}	Junction-to-Ambient Resistance in Free Air <small>(Note 2)</small>	75	°C/W

Note 2: θ_{JA} is measured with the component mounted on a high effective thermal conductivity test board in free air. The exposed pad of TDFN2x2-8 is soldered directly on the PCB.

Recommended Operating Conditions (Note 3)

Symbol	Parameter	Range	Unit
V_{BIAS}	BIAS Input Voltage	3.0 ~ 5.5	V
V_{IN}	VIN Input Voltage	0.8 ~ 5.5	V
I_{OUT}	VOUT Output Current	0 ~ 6	A
V_{EN}, V_{ENB}	Input Logic High	1.2 ~ 5.5	V
	Input Logic Low	0 ~ 0.4	V
T_A	Ambient Temperature	-40 ~ 85	°C
T_J	Junction Temperature	-40 ~ 125	°C

Note 3 : Refer to the typical application circuit

Electrical Characteristics

Unless otherwise specified, these specifications apply over $V_{IN} = 0.8V\sim 5V$, $V_{BIAS} = 5V$, $V_{EN} = \text{High}$ or $V_{ENB} = \text{Low}$, and $T_A = -40\sim 85^\circ C$. Typical values are at $T_A = 25^\circ C$.

Symbol	Parameter	Test Conditions	APL3526/B			Unit
			Min.	Typ.	Max.	
SUPPLY CURRENT						
	BIAS Supply Current	No load	-	50	90	μA
	BIAS Supply Current at Shutdown	No load, $V_{EN}=0V$ or $V_{ENB}=5V$	-	-	2	μA
	VIN Off-State Supply Current	No load, $V_{BIAS}=5V$, $V_{EN}=0V$ or $V_{ENB}=5V$, $V_{IN}=5V$	-	0.1	8	μA
		No load, $V_{BIAS}=5V$, $V_{EN}=0V$ or $V_{ENB}=5V$, $V_{IN}=3.3V$	-	0.1	3	μA
		No load, $V_{BIAS}=5V$, $V_{EN}=0V$ or $V_{ENB}=5V$, $V_{IN}=1.8V$	-	0.1	2	μA
		No load, $V_{BIAS}=5V$, $V_{EN}=0V$ or $V_{ENB}=5V$, $V_{IN}=0.8V$	-	0.1	1	μA
	Reverse Leakage Current	$V_{EN}=0V$ or $V_{ENB}=5V$, $V_{IN}=0V$	-	0.1	16	μA
UNDER-VOLTAGE LOCKOUT (UVLO)						
	Rising BIAS UVLO Threshold	V_{BIAS} rising	1.9	2.4	2.9	V
	BIAS UVLO Hysteresis		-	0.1	-	V
POWER SWITCH						
$R_{DS(ON)}$	Power Switch On Resistance	$V_{BIAS}=5V$, $V_{IN}=0.8\sim 5V$, $I_{OUT}=200mA$, $T_J=25^\circ C$	-	15	20	$m\Omega$
		$V_{BIAS}=5V$, $V_{IN}=0.8\sim 5V$, $I_{OUT}=200mA$, $T_J=-40\sim 125^\circ C$	-	-	27	$m\Omega$
		$V_{BIAS}=3.3V$, $V_{IN}=0.8\sim 3.3V$, $I_{OUT}=200mA$, $T_J=25^\circ C$	-	17	23	$m\Omega$
		$V_{BIAS}=3.3V$, $V_{IN}=0.8\sim 3.3V$, $I_{OUT}=200mA$, $T_J=-40\sim 125^\circ C$	-	-	31	$m\Omega$
	VOUT Discharge Resistance	$V_{EN}=0V$ or $V_{ENB}=5V$, VOOUT force 1V	-	100	150	Ω
SOFT-START CONTROL PIN						
	SS Discharge Current	$V_{SS}=6V$, $V_{EN}=0V$ or $V_{ENB}=5V$, measured at SS	-	560	-	μA

Electrical Characteristics

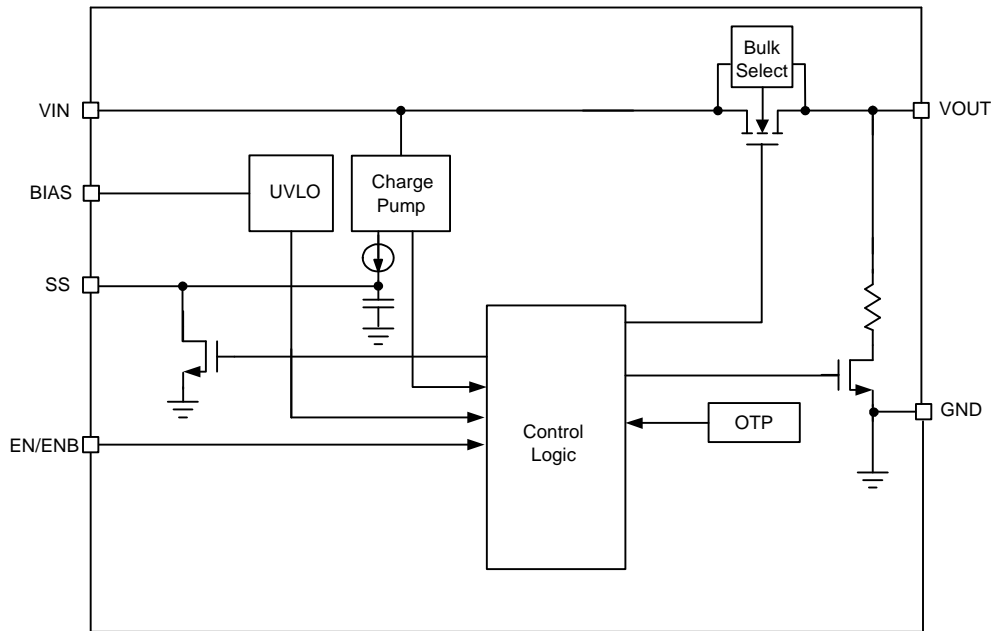
Unless otherwise specified, these specifications apply over $V_{IN} = 0.8V \sim 5V$, $V_{BIAS} = 5V$, $V_{EN} = \text{High}$ or $V_{ENB} = \text{Low}$, and $T_A = -40 \sim 85^\circ\text{C}$. Typical values are at $T_A = 25^\circ\text{C}$.

Symbol	Parameter	Test Conditions	APL3526/B			Unit
			Min.	Typ.	Max.	
EN OR ENB INPUT PIN						
V_{EN}, V_{ENB}	Input Logic High		1.2	-	-	V
	Input Logic Low		-	-	0.4	V
	Input Current		-	-	1	μA
OVERT-TEMPERATURE PROTECTION (OTP)						
	Over-Temperature Threshold	T_J rising	-	160	-	$^\circ\text{C}$
	Over-Temperature Threshold Hysteresis	T_J falling	-	40	-	$^\circ\text{C}$

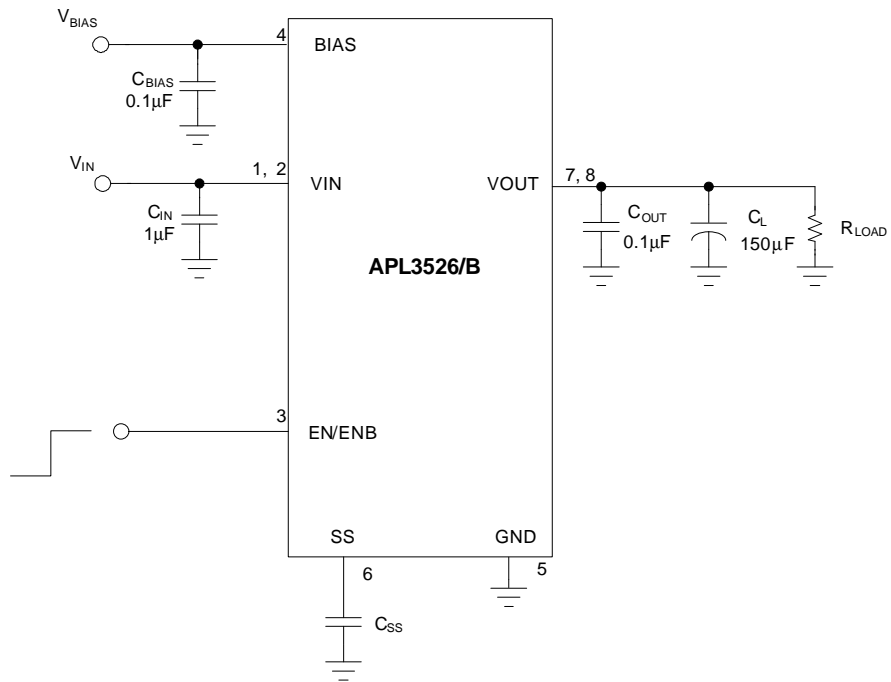
Pin Description

PIN		FUNCTION
NO.	NAME	
1	VIN	Power supply Input of switch. Connect this pin to an external DC supply.
2	VIN	
3	EN	Enable input of switch. Logic high turns on switch. The EN pin cannot be left floating.
	ENB	Enable input of switch. Logic low turns on switch. The ENB pin cannot be left floating.
4	BIAS	Bias voltage input pin for internal control circuitry.
5	GND	Ground pin of the circuitry. All voltage levels are measured with respect to this pin.
6	SS	Soft start control of switch. A capacitor from this pin to ground sets the VOUT's rise slew rate.
7	VOUT	Switch output.
8	VOUT	
Exposed Pad	-	Connect this pad to system ground plane for good thermal conductivity.

Block Diagram



Typical Application Circuit



Function Description

VIN Under-voltage Lockout (UVLO)

A under-voltage lockout (UVLO) circuit monitors the VBIAS pins voltage to prevent wrong logic controls. The UVLO function initiates a soft-start process after the BIAS supply voltages exceed rising UVLO voltage threshold during powering on.

Power Switch

The power switch is an N-channel MOSFET with a ultra-low $R_{DS(ON)}$. When IC is in shutdown state ($V_{EN}=\text{Low}$ or $V_{ENB}=\text{High}$), the MOSFET prevents a reverse current flowing from the VOUT back to VIN. When IC is in UVLO state, the internal parasitic diodes connected from VOUT to VIN will be forward biased.

Soft-start

The APL3526/B Provides an adjustable soft-start circuitry to control rise rate of the output voltage and limit the current surge during start-up. The soft-start time is set with a capacitor from the SS pin to the ground.

Enable Control

Pulling the ENB above 1.2V or EN below 0.4V will disable the device, and pulling ENB pin below 0.4V or EN above 1.2V will enable the device. The EN/ENB pins cannot be left floating.

Over-Temperature Protection (OTP)

When the junction temperature exceeds 160°C, the internal thermal sense circuit turns off the power FET and allows the device to cool down. When the device's junction temperature cools by 40°C, the internal thermal sense circuit will enable the device, resulting in a pulsed output during continuous thermal protection. Thermal protection is designed to protect the IC in the event of over temperature conditions. For normal operation, the junction temperature cannot exceed $T_J=+125^\circ\text{C}$.

Application Information

Power Sequencing

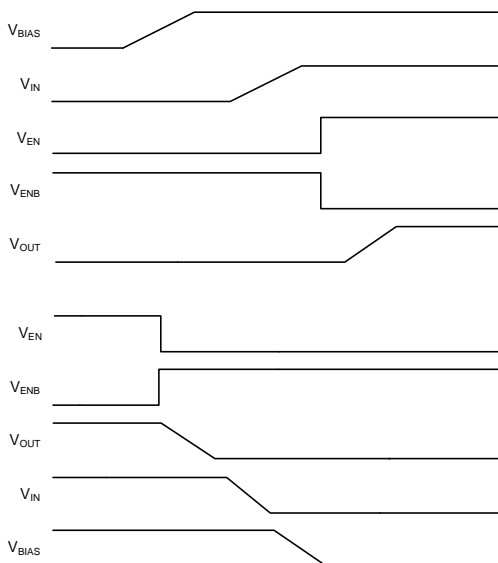


Figure 1. APL3526/B Power Sequencing Diagram

The APL3526/B has a built-in reverse current blocking circuit to prevent a reverse current flowing through the body diode of power switch from the VOUT back VIN pin when power switch disabled. The reverse current blocking circuit is not active before V_{BIAS} is ready. When IC is in UVLO state, the internal parasitic diodes of power switch connected from VOUT to VIN will be forward biased. Otherwise, VOUT should not be higher than VBIAS, and VBIAS must be higher than the voltage of any other input pin, the reason is that the internal parasitic diodes connected from VOUT to VBIAS will be forward biased.

Capacitor Selection

The APL3526/B requires proper input capacitors to supply current surge during stepping load transients to prevent the input voltage rail from dropping. Because the parasitic inductor from the voltage sources or other bulk capacitors to the VIN pin limit the slew rate of the surge currents, more parasitic inductance needs more input capacitance.

For normal applications (except OTP or output short circuit has occurred), the recommended input capacitance of VIN is 1 μ F and output capacitance of VOUT is 0.1 μ F at least. Please place the capacitors near the APL3526/B as close as possible.

A bulk output capacitor, placed close to the load, is recommended to support load transient current.

Soft-Start Capacitor

The soft-start capacitor on SS pin can reduce the inrush current and overshoot of output voltage. The capacitor is charge to V_{SS} with a constant 2.5 μ A(typ.) current source. This results in a linear charge of the soft-start capacitor and thus the output voltage.

Thermal Consideration

The APL3526/B maximum power dissipation depends on the differences of the thermal resistance and temperature between junction and ambient air. The power dissipation P_D across the device is:

$$P_D = (T_J - T_A) / \theta_{JA}$$

where $(T_J - T_A)$ is the temperature difference between the junction and ambient air. θ_{JA} is the thermal resistance between junction and ambient air. Assuming the $T_A = 25^\circ\text{C}$ and maximum $T_J = 160^\circ\text{C}$ (typical thermal limit threshold), the maximum power dissipation is calculated as:

$$\begin{aligned} P_{D(\max)} &= (160 - 25) / 75 \\ &= 1.8(\text{W}) \end{aligned}$$

For normal operation, do not exceed the maximum operating junction temperature of $T_J = 125^\circ\text{C}$. The calculated power dissipation should be less than:

$$\begin{aligned} P_D &= (125 - 25) / 75 \\ &= 1.33(\text{W}) \end{aligned}$$

$$\begin{aligned} P_D &= (125 - 85) / 75 \\ &= 0.53(\text{W}) \end{aligned}$$

The power dissipation depends on operating ambient temperature for fixed $T_J = 125^\circ\text{C}$ and thermal resistance θ_{JA} . For APL3526/B packages, the Figure 2 of derating curves allows the designer to see the effect of rising ambient temperature on the maximum power allowed.

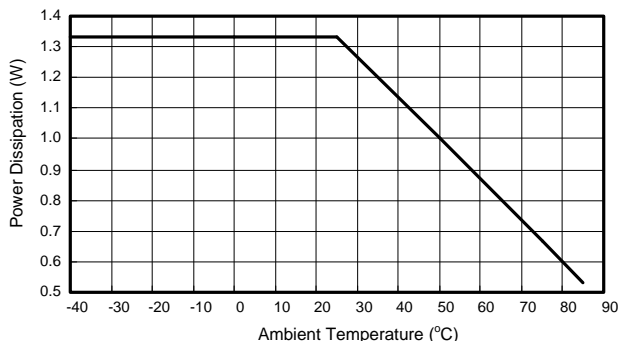


Figure 2. Derating Curves for APL3526/B Package

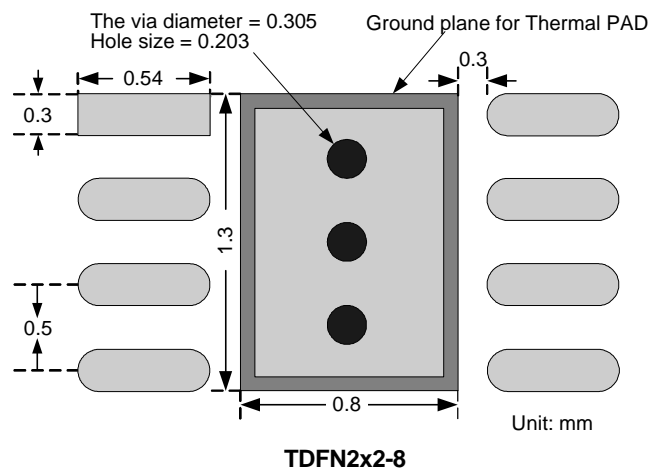
Application Information

Layout Consideration

The PCB layout should be carefully performed to maximize thermal dissipation and to minimize voltage drop, droop and EMI. The following guidelines must be considered:

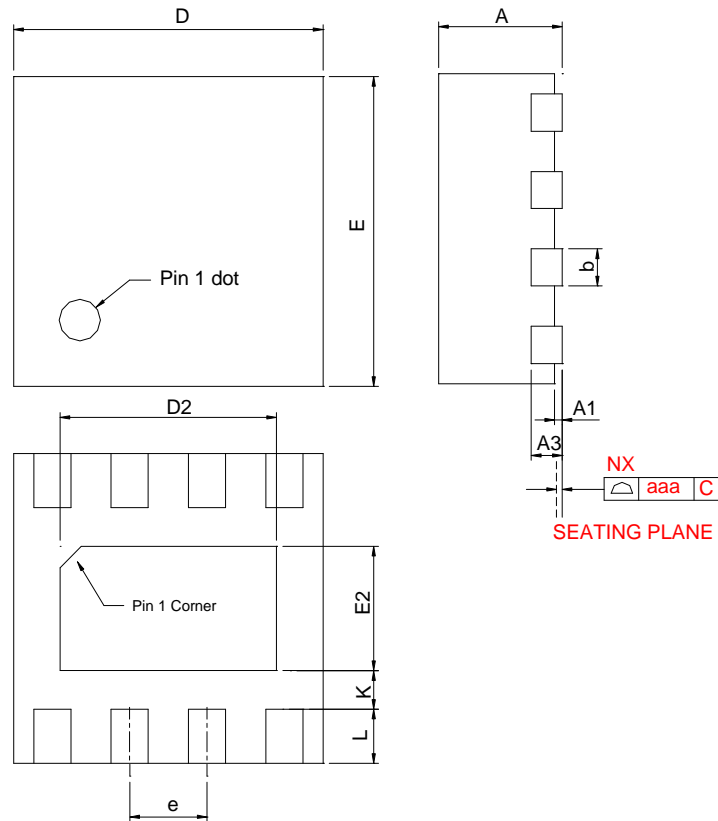
1. Please place the input capacitors near the VIN pin as close as possible.
2. Output decoupling capacitors for load must be placed near the load as close as possible for decoupling high frequency ripples.
3. Locate APL3526/B and output capacitors near the load to reduce parasitic resistance and inductance for excellent load transient performance.
4. The negative pins of the input and output capacitors and the GND pin must be connected to the ground plane of the load.
5. Keep VIN and VOUT traces as wide and short as possible.

Recommended Minimum Footprint



Package Information

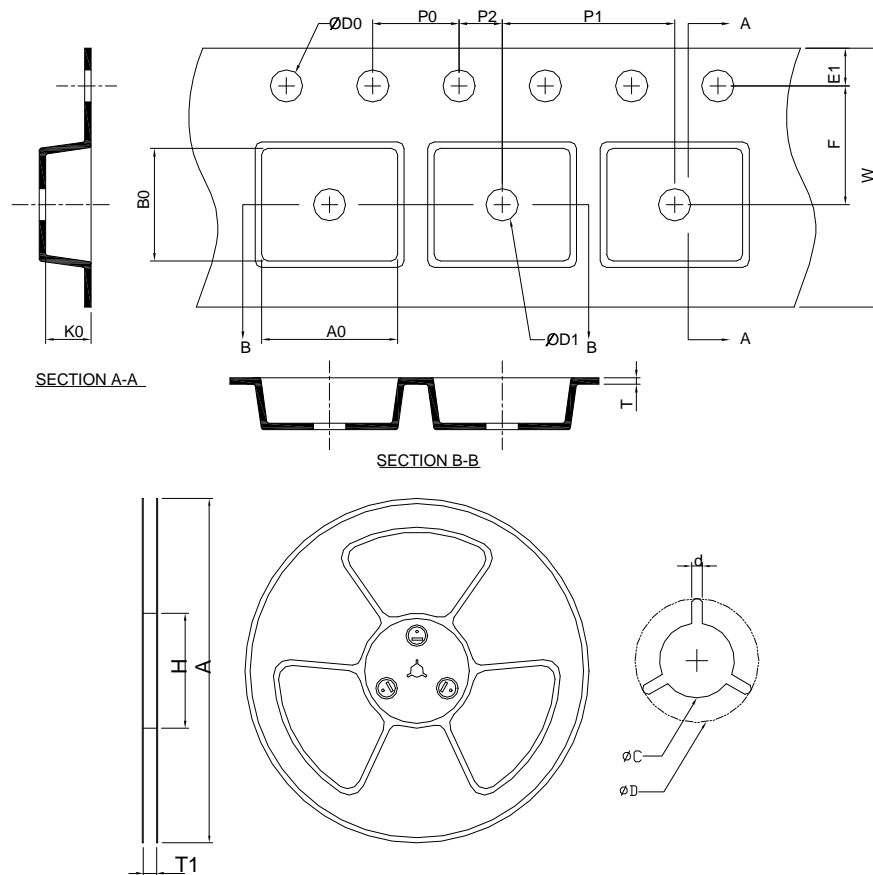
TDFN2x2-8



SYMBOL	TDFN2x2-8					
	MILLIMETERS			INCHES		
	MIN.	TYP.	MAX.	MIN.	TYP.	MAX.
A	0.70	0.75	0.80	0.028	0.030	0.031
A1	0.00	0.03	0.05	0.000	0.001	0.002
A3	0.20 REF			0.008 REF		
b	0.18	0.24	0.30	0.007	0.010	0.012
D	1.90	2.00	2.10	0.075	0.079	0.083
D2	1.00	1.30	1.60	0.039	0.051	0.063
E	1.90	2.00	2.10	0.075	0.079	0.083
E2	0.60	0.80	1.00	0.024	0.032	0.039
e	0.50 BSC			0.020 BSC		
L	0.30	0.38	0.45	0.012	0.015	0.018
K	0.20			0.008		
aaa	0.08			0.003		

Note : 1. Follow from JEDEC MO-229 WCCD-3.

Carrier Tape & Reel Dimensions



Application	A	H	T1	C	d	D	W	E1	F
TDFN2x2-8	178.0 ±0.00	50 MIN.	8.4+2.00 -0.00	13.0+0.50 -0.20	1.5 MIN.	20.2 MIN.	8.0 ±0.20	1.75 ±0.10	3.50 ±0.05
	P0	P1	P2	D0	D1	T	A0	B0	K0
	4.0 ±0.10	4.0 ±0.10	2.0 ±0.05	1.5+0.10 -0.00	1.5 MIN.	0.6+0.00 -0.4	2.35 ±0.20	2.35 ±0.20	1.00 ±0.20

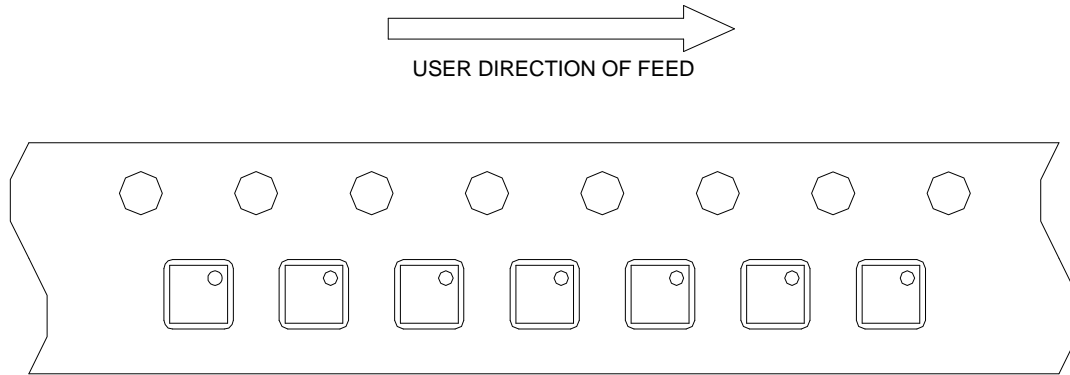
(mm)

Devices Per Unit

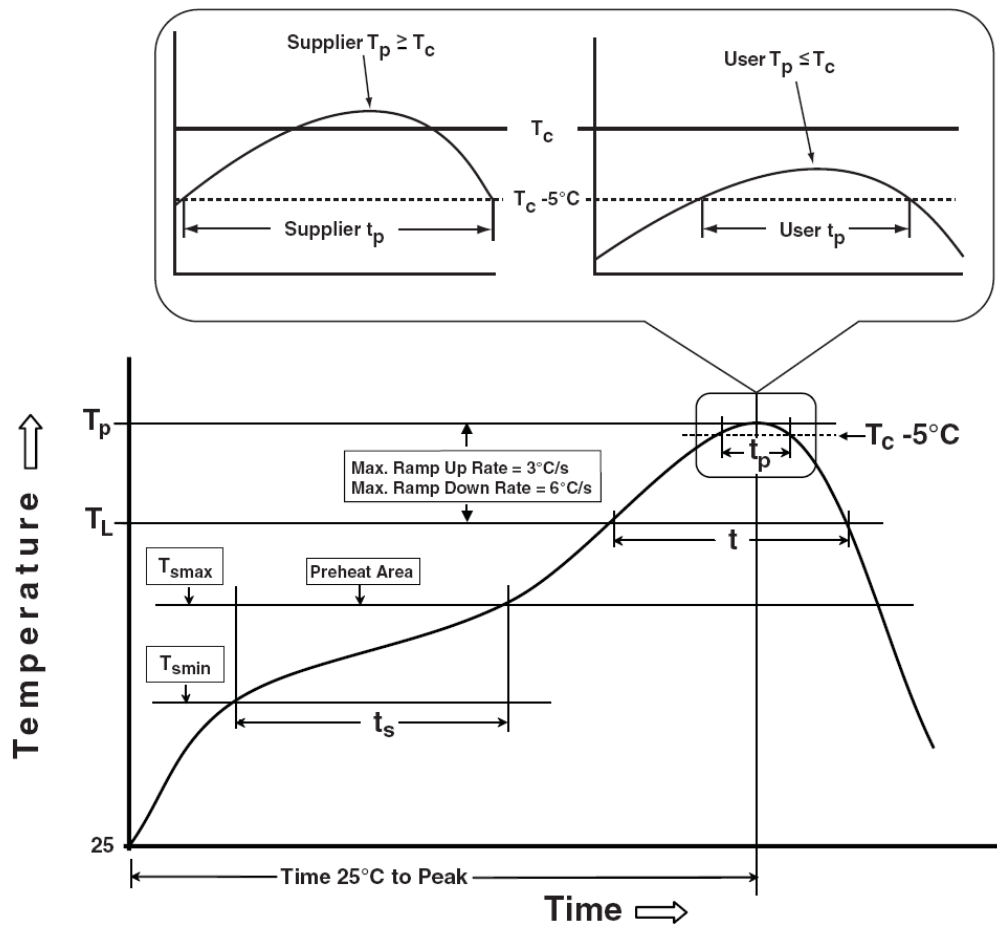
Package Type	Unit	Quantity
TDFN2x2-8	Tape & Reel	3000

Taping Direction Information

TDFN2x2-8



Classification Profile



Classification Reflow Profiles

Profile Feature	Sn-Pb Eutectic Assembly	Pb-Free Assembly
Preheat & Soak Temperature min (T_{smin}) Temperature max (T_{smax}) Time (T_{smin} to T_{smax}) (t_s)	100 °C 150 °C 60-120 seconds	150 °C 200 °C 60-120 seconds
Average ramp-up rate (T_{smax} to T_p)	3 °C/second max.	3°C/second max.
Liquidous temperature (T_L) Time at liquidous (t_L)	183 °C 60-150 seconds	217 °C 60-150 seconds
Peak package body Temperature (T_p)*	See Classification Temp in table 1	See Classification Temp in table 2
Time (t_p)** within 5°C of the specified classification temperature (T_c)	20** seconds	30** seconds
Average ramp-down rate (T_p to T_{smax})	6 °C/second max.	6 °C/second max.
Time 25°C to peak temperature	6 minutes max.	8 minutes max.
* Tolerance for peak profile Temperature (T_p) is defined as a supplier minimum and a user maximum. ** Tolerance for time at peak profile temperature (t_p) is defined as a supplier minimum and a user maximum.		

Table 1. SnPb Eutectic Process – Classification Temperatures (T_c)

Package Thickness	Volume mm ³ <350	Volume mm ³ ≥350
<2.5 mm	235 °C	220 °C
≥2.5 mm	220 °C	220 °C

Table 2. Pb-free Process – Classification Temperatures (T_c)

Package Thickness	Volume mm ³ <350	Volume mm ³ 350-2000	Volume mm ³ >2000
<1.6 mm	260 °C	260 °C	260 °C
1.6 mm – 2.5 mm	260 °C	250 °C	245 °C
≥2.5 mm	250 °C	245 °C	245 °C

Reliability Test Program

Test item	Method	Description
SOLDERABILITY	JESD-22, B102	5 Sec, 245°C
HOLT	JESD-22, A108	1000 Hrs, Bias @ $T_j=125^\circ\text{C}$
PCT	JESD-22, A102	168 Hrs, 100%RH, 2atm, 121°C
TCT	JESD-22, A104	500 Cycles, -65°C~150°C
HBM	MIL-STD-883-3015.7	VHBM 2KV
MM	JESD-22, A115	VMM 200V
Latch-Up	JESD 78	10ms, 1_{tr} 100mA

Customer Service

Anpec Electronics Corp.

Head Office :

No.6, Dusing 1st Road, SBIP,
Hsin-Chu, Taiwan, R.O.C.
Tel : 886-3-5642000
Fax : 886-3-5642050

Taipei Branch :

2F, No. 11, Lane 218, Sec 2 Jhongsing Rd.,
Sindian City, Taipei County 23146, Taiwan
Tel : 886-2-2910-3838
Fax : 886-2-2917-3838