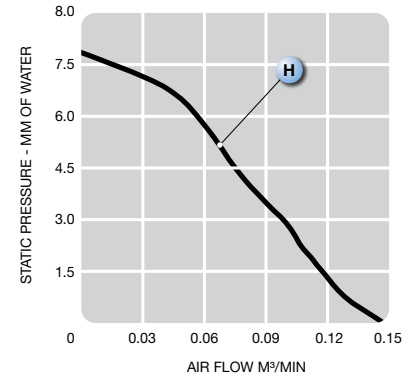
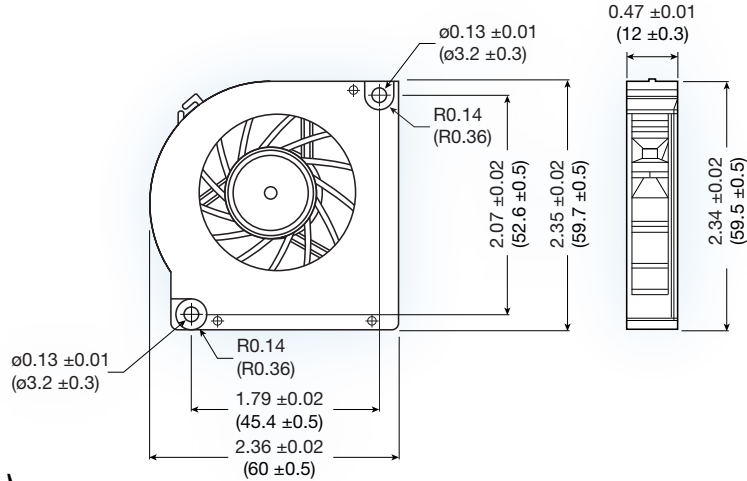


B6012 series



(60 x 60 x 12 mm)

2.36 x 2.36 x 0.47 inches

Features: compact size exhaust blower

Construction: UL94V-0 PBT impeller, metal and PBT frame

Bearing option: ball bearing

Connection: lead wires

Protection: thermal

Options: tachometer output or locked rotor alarm signal

Model No.	Rated Voltage V	Current mA			Speed RPM	Air Volume		Max. Static Pressure (H ₂ O)		Sound Noise dBa	Weight g
		5	12	24		M ³ /Min.	CFM	MM	INCH		
B6012M	5/12/24	350	200	120	3,600	0.14	5	7.80	0.30	34	26