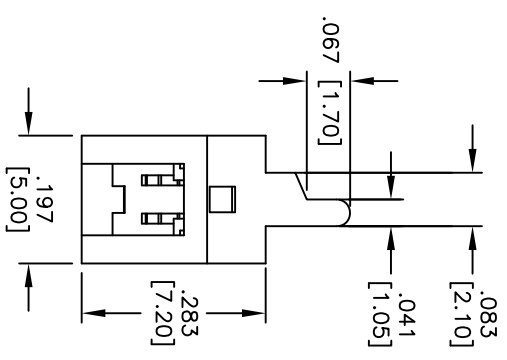
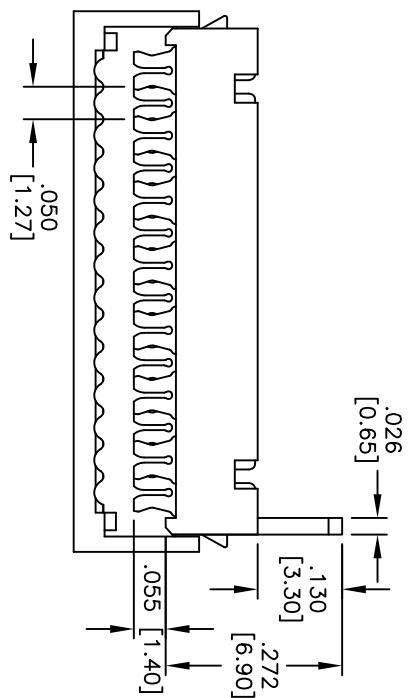
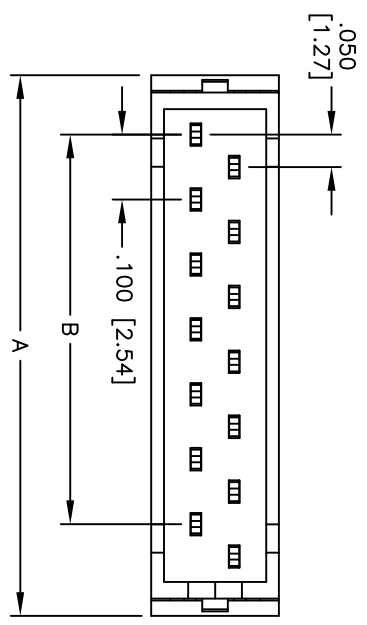


Rev	AWO #	Description	Date	Appr
-		RELEASED	8/31/09	

APPROVED: \_\_\_\_\_  
 DATE: \_\_\_\_\_ TITLE: \_\_\_\_\_



**SPECIFICATIONS:**

Material: Insulator: Hi-temp thermoplastic, rated UL 94V-0  
 Insulator color: Black  
 Contacts: Copper Alloy  
 Plating: Tin over Copper underplate overall  
 Electrical:  
 Voltage rating: 30V AC/DC  
 Current rating: 1A AC/DC  
 Contact resistance: 20 mohms max.  
 Insulation resistance: 1,000 Mohms min.  
 Dielectric withstanding: 500V AC for 1 minute  
 Temperature Rating:  
 Operating temperature: -40°C to +105°C  
 Environmental:  
 Lead free, RoHS compliant  
 Recommended soldering temp: 260°C for 5 seconds

Positions: 2 thru 13 per row  
 A = .100 [2.54] x No. of Spaces per row + .233 [5.91]  
 B = .100 [2.54] x No. of Spaces per row

UNLESS OTHERWISE SPECIFIED  
 ALL DIMENSIONS ARE INCHES [MM]  
 TOLERANCES: EXCEPT AS NOTED  
 INCHES Holes ±.10  
 .X ±.10 ØXX ±.10  
 .XX ±.020 ØXXX ±.015  
 .XXX ±.015 ØXXXX ±.010  
 APPROVALS DATE

**ADAM TECH**  
 909 Rahway Avenue, Union, NJ 07083  
 Phone: 908-687-5000 Fax: 908-687-5710  
 TITLE: .100 [2.54] IDC CONNECTOR MALE,  
 ON WIRE TYPE, TIN PLATED

DRAWN	DY	8/31/09	SIZE	PART NO.	REV.
CHECKED			X	MPH-XX-F1-T	
APPROVED			REF:	S00056T	SHEET 1 OF 1

