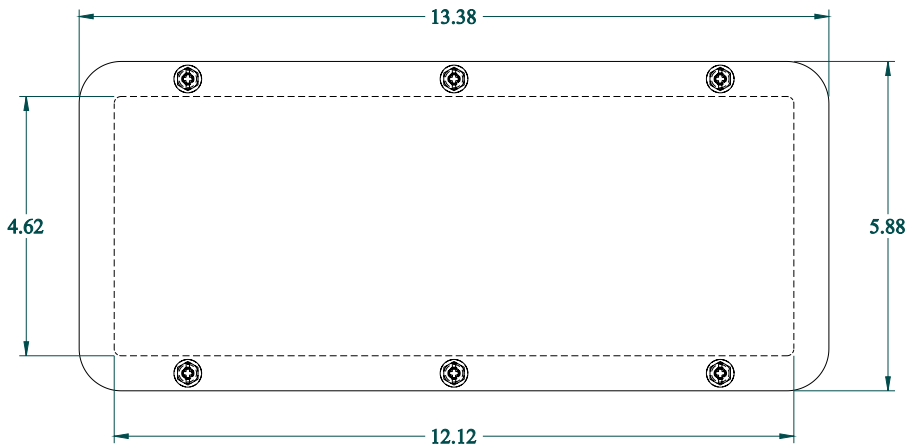


PART No. GP136GY

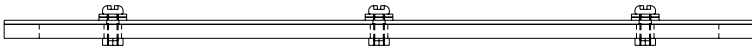
for more information visit
www.hammfg.com

Data subject to change without notice

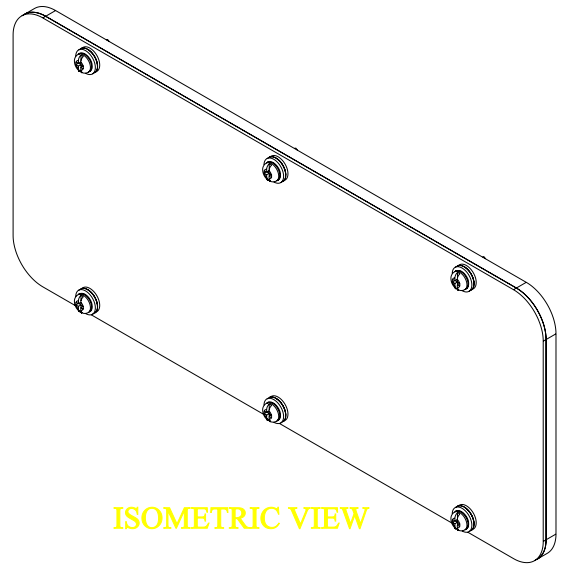
Isometric drawing Not to Scale



FRONT VIEW



BOTTOM VIEW



ISOMETRIC VIEW