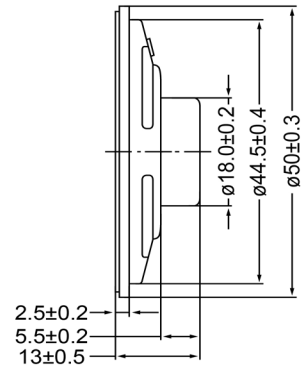
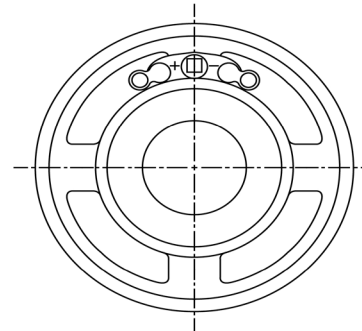




SIDE VIEW



BOTTOM VIEW



Specifications			Notes	Revision History																
Description	Value	Unit		Version	Description	Date	Approved													
Shape	Round		1) All dimensions are in mm unless otherwise noted 2) All parts meet RoHS 	1	Released from Engineering	10/21/2013	J.S													
Resonant Frequency	360	(Hz)																		
Frequency Range	360 ~ 4,000	(Hz)																		
SPL @ 10cm	106	(dBA)																		
Impedance	50	(Ohm)																		
Cone Material	Paper																			
Nominal Power	0.25	(W)																		
Max Power	0.5	(W)																		
Mount Type	Flush																			
Operating Temperature	-10 ~ +40	°C																		
Storage Temperature	-25 ~ +55	°C																		
Weight	20	(g)																		
						Dynamic Speaker		SP500350-1												
				<table border="1"> <thead> <tr> <th>Drawn by</th> <th>Date</th> <th>Checked by</th> <th>Date</th> <th>Approved by</th> <th>Date</th> </tr> </thead> <tbody> <tr> <td>A.B.</td> <td>10/21/2013</td> <td>C.E.</td> <td>10/21/2013</td> <td>J.S</td> <td>10/21/2013</td> </tr> </tbody> </table>	Drawn by	Date	Checked by	Date	Approved by	Date	A.B.	10/21/2013	C.E.	10/21/2013	J.S	10/21/2013				
Drawn by	Date	Checked by	Date	Approved by	Date															
A.B.	10/21/2013	C.E.	10/21/2013	J.S	10/21/2013															