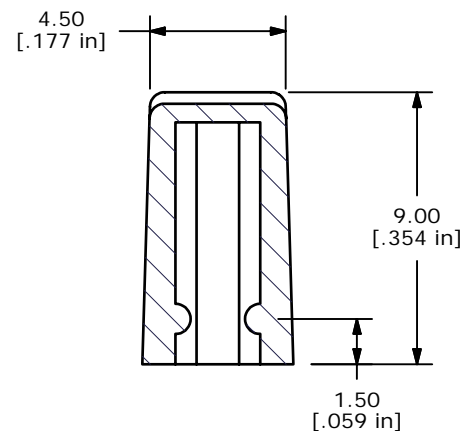
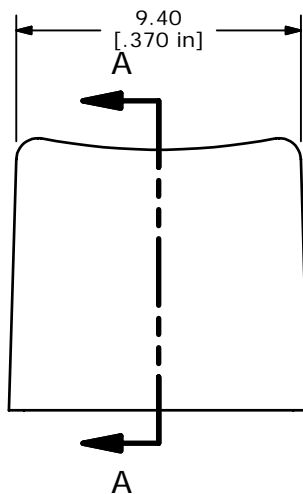
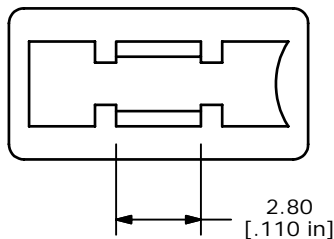


ISOMTRIC



SECTION A-A  
SCALE 4 : 1



- NOTES:
1. ALL DIMENSIONS IN MM [INCH]
  2. GENERAL TOLERANCE: X.XX=±0.15
  - ▲ 3. MATERIAL: ABS, UL94V0
  - ▲ 4. COLOR: RED, PANTONE 201C
  5. ▲ DENOTES CRITICAL PARAMETER.

C	15383	CHANGED PANTONE 201C FROM 187C	10/12/05	PH
B	15250	REVISED DESCRIPTION	9/8/05	PH
A	15211	RELEASED FOR PRODUCTION	8/29/05	PH
REV	PCR NO	DESCRIPTION	DATE	BY

**E-SWITCH®**

TITLE 1CRED

SCALE 4:1	DATE 8/29/2005	DR PH	DWG Q800402	REV C
-----------	----------------	-------	-------------	-------

THE INFORMATION CONTAINED IN THIS DOCUMENT IS PROPRIETARY TO E-SWITCH AND IS NOT TO BE COPIED OR TRANSFERRED