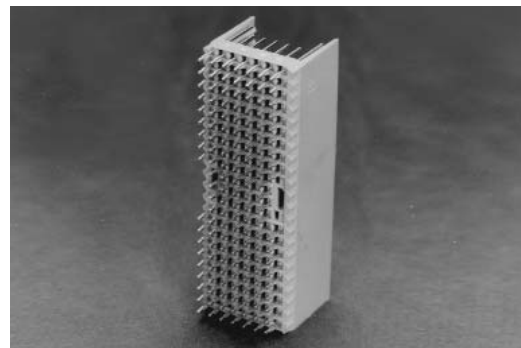


Style AB22 Header

Introduction

- 110 signal contacts
- 36 ground contacts
- Polarized alignment channels
- Connectors with 13.00mm, 14.50mm, and 16.00mm rear plug-up contacts include a Mylar alignment guide
- Combines guidance features of "A" modules with signal density of "B22" modules
- 44mm length



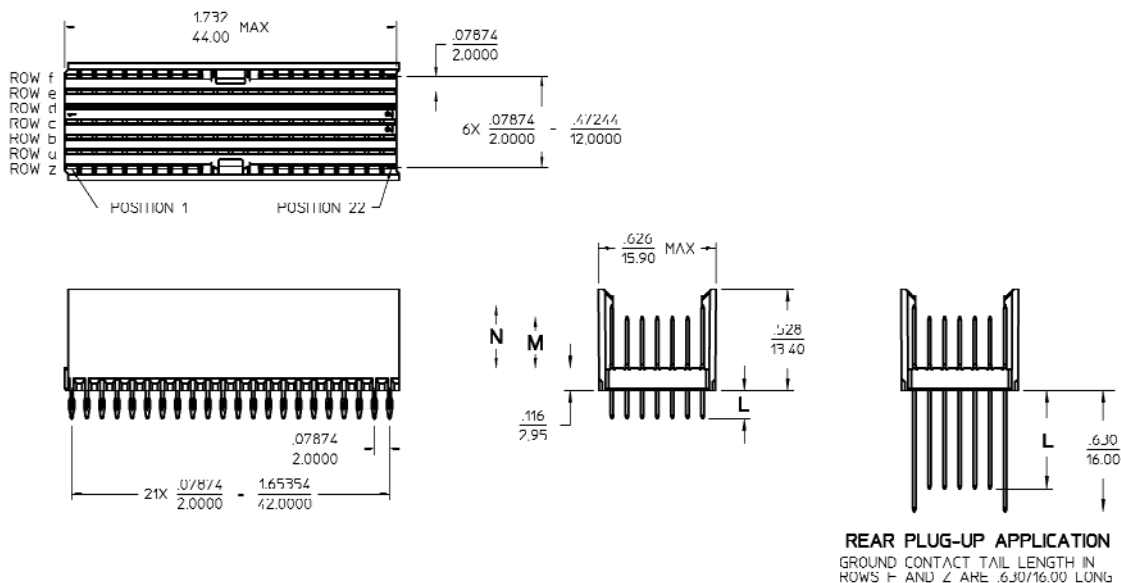
Ordering Information

Tail Length L =	No Ground Contacts		With Ground Contacts - Level 3 (N = 8.30mm)	
	Level 1 Signal (M = 5.30mm)	Level 2 Signal (M = 6.80mm)	Level 1 Signal (M = 5.30mm)	Level 2 Signal (M = 6.80mm)
3.70mm	NX5ABBC77X00AA	NX5ABBC62X00AA	NX5ABBC11X01AA	NX5ABBB70X01AA
13.00mm *	NX5ABBC85X00CA	NX5ABBC99X00CA	NX5ABBC92X04CA	NX5ABBD17X04CA
14.50mm *	NX5ABBC89X00CA	NX5ABBD13X00CA	NX5ABBC96X04CA	NX5ABBD21X04CA
16.00mm *	NX5ABBD28X00CA	NX5ABBD30X00CA	NX5ABBD29X04CA	NX5ABBD31X04CA

* Rear Plug Up

Custom select load options are available. Please see pages 46-48 for instructions.

Outline



Note: Dimensions are shown in inches / millimeters. Dimensions are for reference only.

Winchester Electronics

400 Park Road • Watertown, CT 06795 • Phone: 860-945-5000 • Fax: 860-945-5191 • Internet: <http://www.litton-wed.com>