

Features

- High Efficiency: 84% Typical
- 36V High Output Voltage
- Fast 1MHz Switching Frequency
- Low Profile SOT25 Pb-Free Packaging
- SOT25: Available in "Green" Molding Compound (No Br, Sb)
- Lead Free Finish/RoHS Compliant for Lead Free and "Green" products (Note 1)

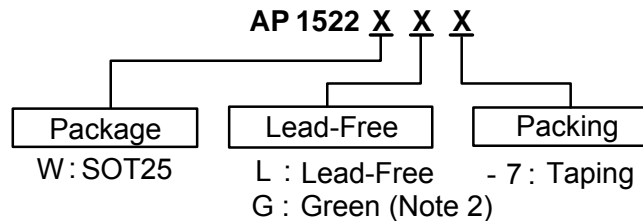
General Description

The AP1522 is a step-up DC/DC converter in a 5-Lead low profile SOT25 package. The AP1522 switches at 1MHz that allows the use of tiny external components. A low 1.25V feedback voltage minimizes power loss in the current setting resistor for better efficiency.


Applications

- Cellular Phones
- PDA's, Hand-held Computers
- Digital Cameras
- LCD Bias Voltage, Battery Backup

Ordering Information

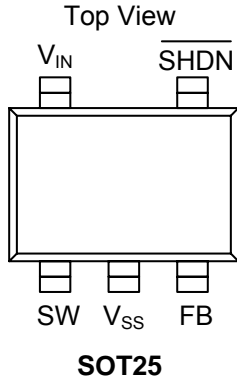


Note: 1. RoHS revision 13.2.2003. Glass and High Temperature Solder Exemptions Applied, see *EU Directive Annex Notes 5 and 7*.
2. Green is for SOT25.

Device (Note 3)	Package Code	Packaging	Tube		-7" Tape and Reel	
			Quantity	Part Number Suffix	Quantity	Part Number Suffix
 AP1522W	W	SOT25	5000	-B	3000/Tape & Reel	-7

Note: 3. Pad layout as shown on Diodes Inc. suggested pad layout document AP02001, which can be found on our website at <http://www.diodes.com/datasheets/ap02001.pdf>.

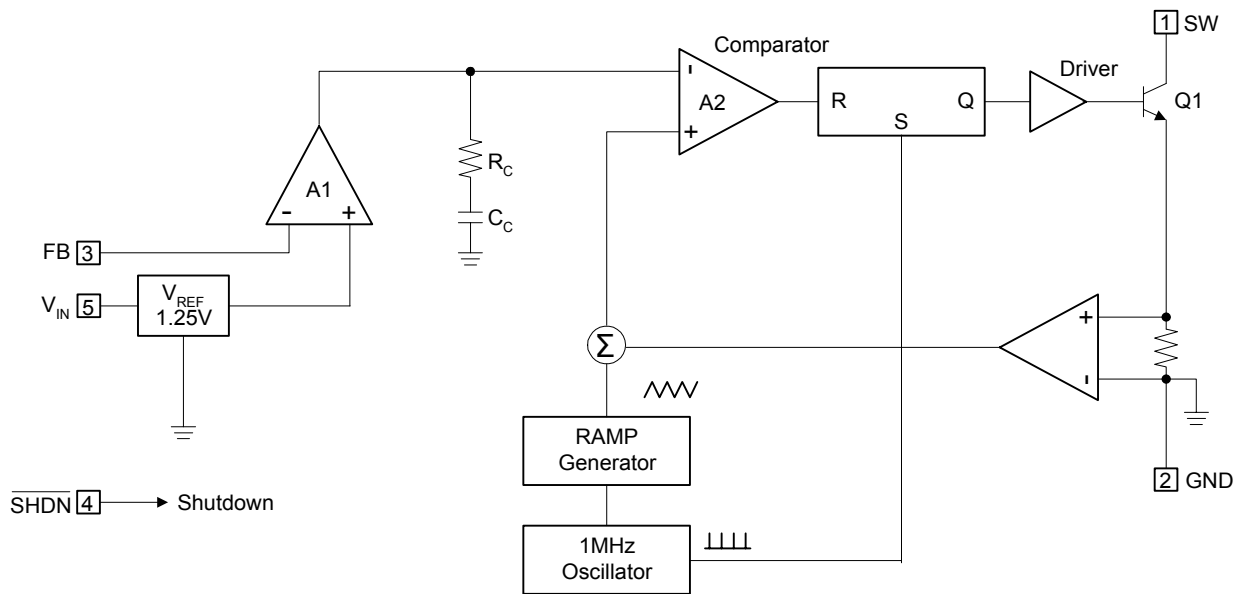
Pin Assignments



Pin Descriptions

Name	Description
SW	Switch Pin. Connect inductor/diode here. Minimize trace area at this pin to reduce EMI.
V _{SS}	GND pin
FB	Feedback Pin. Reference voltage is 1.25V.
SHDN	Shutdown Pin. Tie to 0.6V or higher to enable device; 0.5V or less to disable device.
V _{IN}	Input Supply Pin. Must be locally bypassed.

Block Diagram



Absolute Maximum Ratings

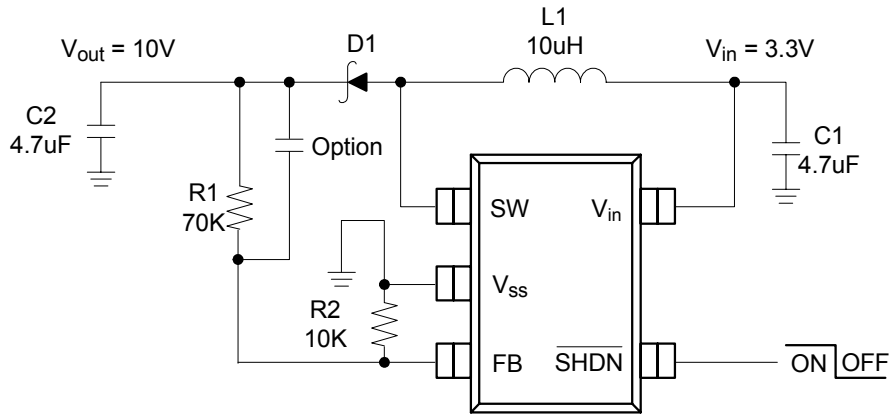
Symbol	Parameter	Rating	Unit
V_{IN}	V_{IN} Pin Voltage	10	V
V_{SW}	SW Voltage	36	V
V_{FB}	Feedback Pin Voltage	10	V
V_{SHDN}	SHDN Pin Voltage	10	V
T_J	Maximum Junction Temperature	125	°C
T_{LEAD}	Lead Temperature (Soldering for 10s.)	300	°C
T_{OPR}	Operating Ambient Temperature Range	0 to +85	°C
T_{STG}	Storage Temperature Range	-40 to +125	°C

Caution: The absolute maximum ratings are rated values exceeding which the product could suffer physical damage. These values must therefore not be exceeded under any conditions.

Electrical Characteristics ($T_a = 25^\circ\text{C}$, $V_{IN} = 5\text{V}$, $V_{SHDN} = 5\text{V}$, unless otherwise noted)

Symbol	Parameter	Conditions	Min.	Typ.	Max.	Unit
V_{IN}	Minimum Operation Voltage	-	2.5	-	-	V
V_{IN}	Maximum Operation Voltage	-	-	-	10	V
V_{FB}	Feedback Pin Voltage	-	1.225	1.25	1.275	V
I_{FB}	Feedback Pin Bias Current	-	10	45	100	nA
I_{IN}	Supply Current	Operation Current	-	2	3	mA
		$V_{SHDN} = 0\text{V}$	-	0.1	1.0	μA
F_{SW}	Switching Frequency		0.75	1.0	1.25	MHz
Duty	PWM Maximum Duty Cycle		85	90	-	%
I_{SW}	Switch Current		280	320	360	mA
V_{SAT}	Switch V_{SAT}	$I_{SW} = 250\text{mA}$	-	350	-	mV
	Switch Leakage Current	$V_{SW} = 5\text{V}$	-	0.1	5	μA
V_{SHDN}	SHDN Pin Voltage High	Enable	0.6	-	-	V
V_{SHDN}	SHDN Pin Voltage Low	Disable	-	-	0.5	V
I_{SHDN}	SHDN Pin Bios Current		-	10	-	μA

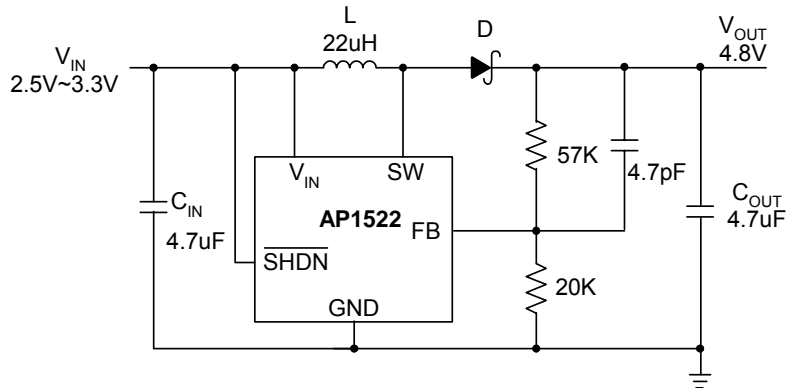
Typical Application Circuit



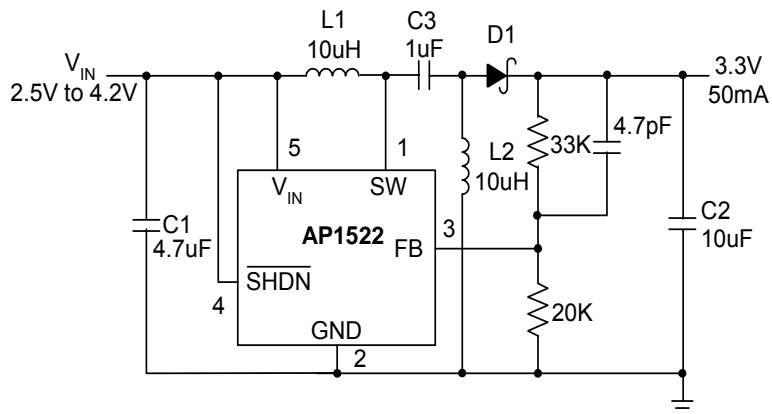
$$V_{OUT} = V_{FB} \left(1 + \frac{R1}{R2} \right)$$

$$1K \leq R2 \leq 50K$$

Step Up DC-DC Regulator

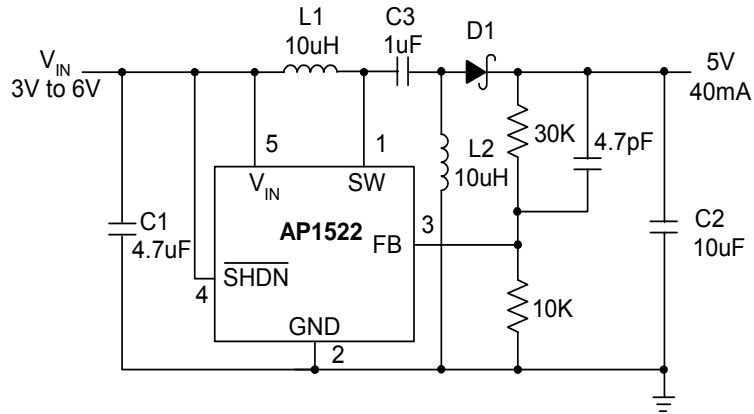


1-Cell Li-Ion to 3.3V SEPIC Converter

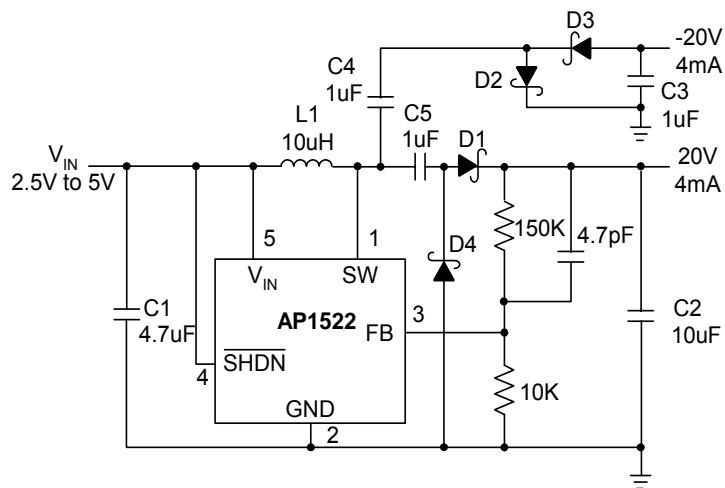


Typical Application Circuit (Continued)

4-Cell to 5V SEPIC Converter



±20V Dual Output Converter with Output Disconnect



Applications Information

Inductor Selection

A 10 μ H inductor is recommended for most AP1522 applications. Although small size and high efficiency are major concerns, the inductor should have low core losses at 1MHz and low DCR (copper wire resistance).

Capacitor Selection

The small size of ceramic capacitors makes them ideal for AP1522 applications. X5R and X7R types are recommended because they retain their capacitance over wider voltage and temperature ranges than other types such as Y5V or Z5U. A 4.7 μ F input capacitor and a 4.7 μ F output capacitor are sufficient for most AP1522 applications.

Diode Selection

Schottky diodes, with their low forward voltage drop and fast reverse recovery, are the ideal choices for AP1522 applications. The forward voltage drop of a Schottky diode represents the conduction losses in the diode, while the diode capacitance (C_T or C_D) represents the switching losses. For diode selection, both forward voltage drop and diode capacitance need to be considered. Schottky diodes with higher current ratings usually have lower forward voltage drop and larger diode capacitance, which can cause significant switching losses at the 1MHz switching frequency of the AP1522. A Schottky diode rated at 100mA to 200mA is sufficient for most AP1522 applications.

Open-Circuit Protection

In the cases of output open circuit, when the R1 are disconnected from the circuit, the feedback voltage will be zero. The AP1522 will then switch at a high duty cycle resulting in a high output voltage, which may cause the SW pin voltage to exceed its maximum 36V rating. A Zener diode can be used at the output to limit the voltage on the SW pin (**Figure 1**). The Zener voltage should be larger than the maximum forward voltage of the V_{OUT} . The current rating of the Zener should be larger than 0.1mA.

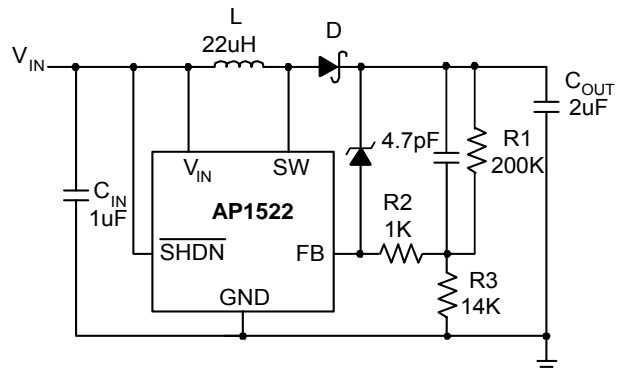
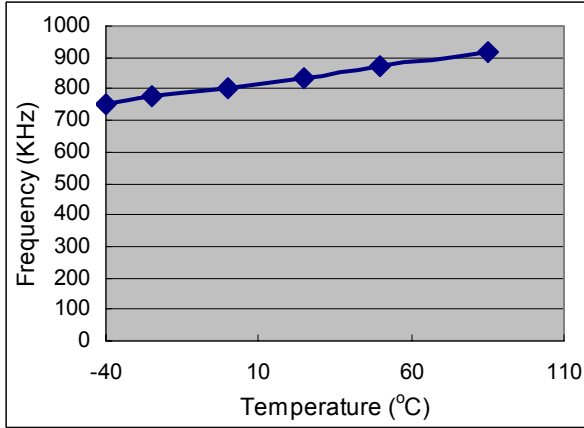


Figure 1. With Open-Circuit Protection

Typical Performance Characteristics

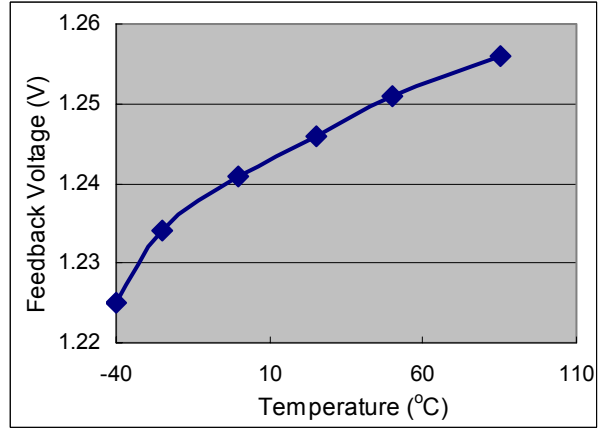
Frequency vs. Temperature

$V_{in} = 5V; V_{out} = 15V$



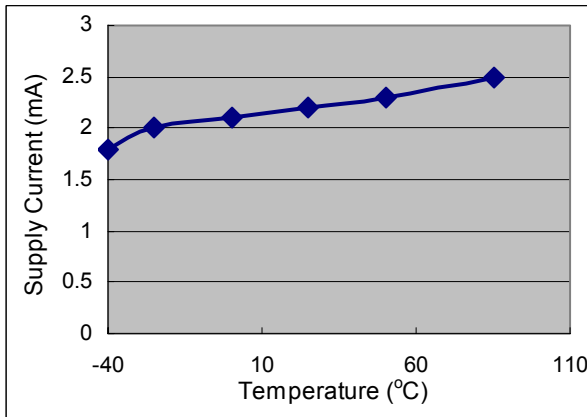
Feedback Voltage vs. Temperature

$V_{in} = 5V; V_{out} = 15V$



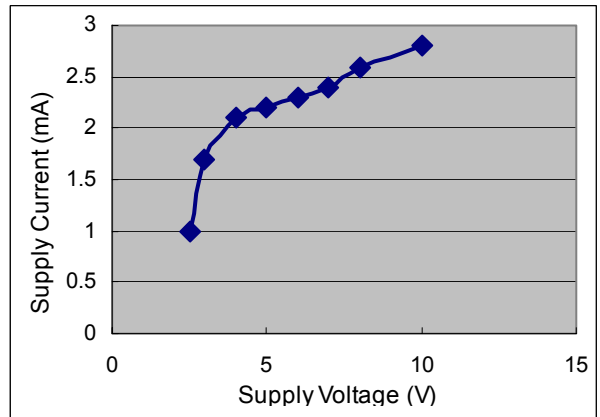
Supply Current vs. Temperature

$V_{in} = 5V; V_{out} = 15V; I_{out} = 0A$



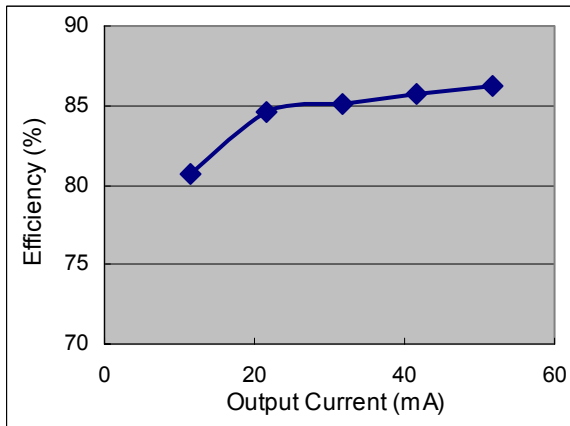
Supply Current vs. Supply Voltage

$V_{out} = 15V; I_{out} = 0A$



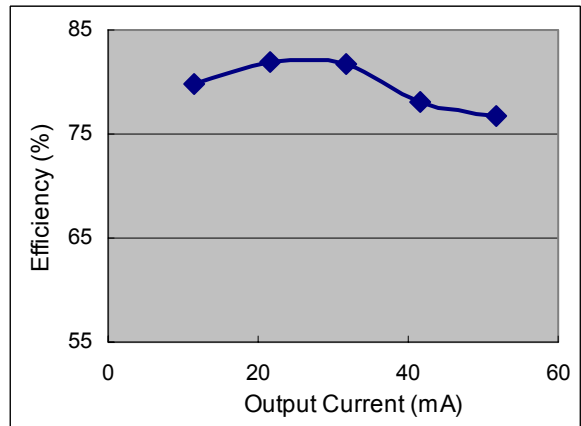
Efficiency vs. Output Current

$V_{in} = 5V; V_{out} = 15V$



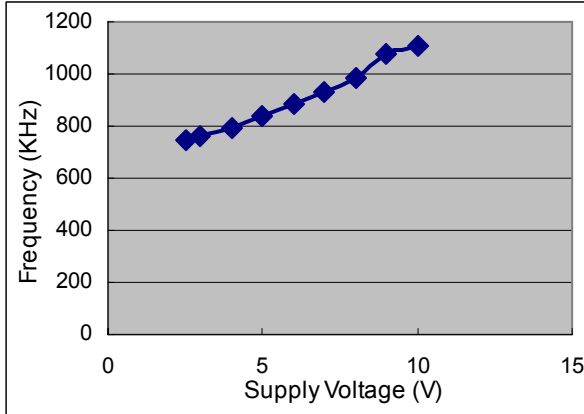
Efficiency vs. Output Current

$V_{in} = 3.3V; V_{out} = 15V$



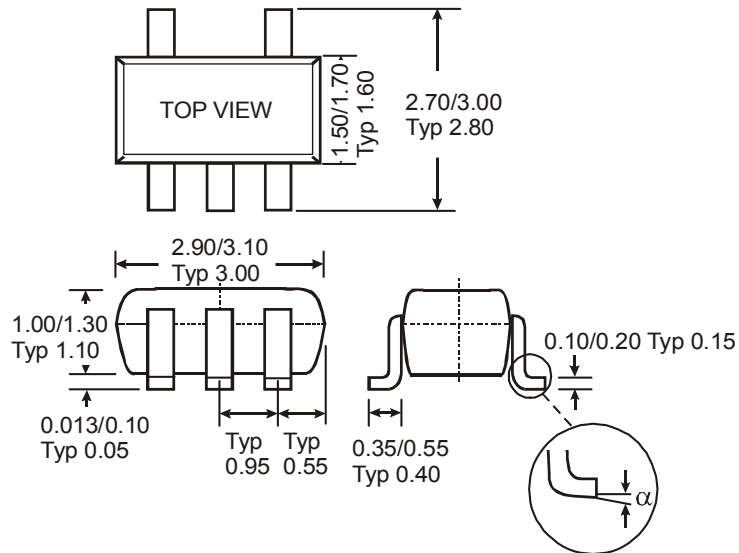
Typical Performance Characteristics (Continued)

Frequency vs. Supply Voltage
 $V_{out} = 15V$



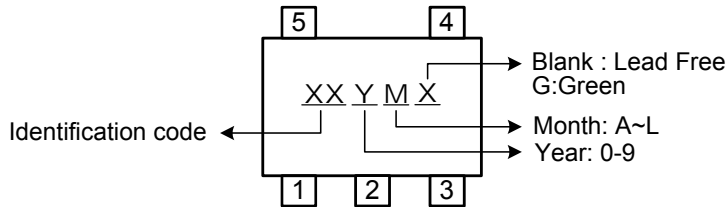
Package Diagrams (All Dimensions in mm)

(1) SOT25



Marking Information

(1) SOT25



Device	Package (Note 4)	Identification Code
AP1522W	SOT25	FA

Note: 4. For Packaging Details, go to our website at <http://www.diodes.com/datasheets/ap02007.pdf>.

IMPORTANT NOTICE

Diodes Incorporated and its subsidiaries reserve the right to make modifications, enhancements, improvements, corrections or other changes without further notice to any product herein. Diodes Incorporated does not assume any liability arising out of the application or use of any product described herein; neither does it convey any license under its patent rights, nor the rights of others. The user of products in such applications shall assume all risks of such use and will agree to hold Diodes Incorporated and all the companies whose products are represented on our website, harmless against all damages.

LIFE SUPPORT

Diodes Incorporated products are not authorized for use as critical components in life support devices or systems without the expressed written approval of the President of Diodes Incorporated.