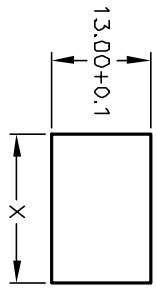
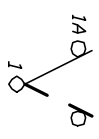


PANEL THICKNESS	X dimension
0.75-1.25 [0.30-.0491]	19.2-01 [7.561]
1.25-2.0 [0.49-.079]	19.4-01 [7.641]
2.0-3.0 [0.79-1.18]	19.8-01 [7.801]



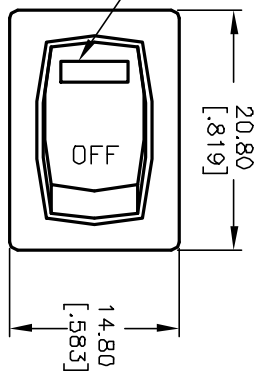
PANEL CUTOUT  
NOT TO SCALE

SWITCH FUNCTION	PDS, 1	PDS, 2
DN	DN	DN
1-1a	DN	DPEN



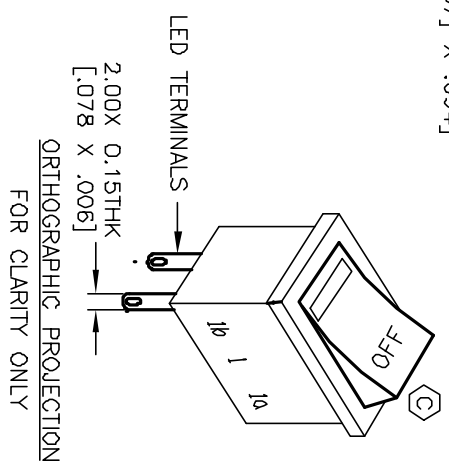
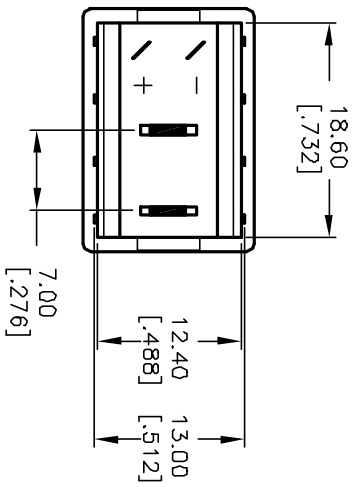
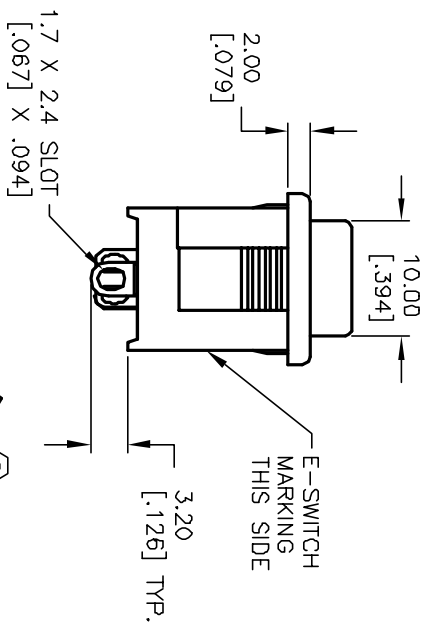
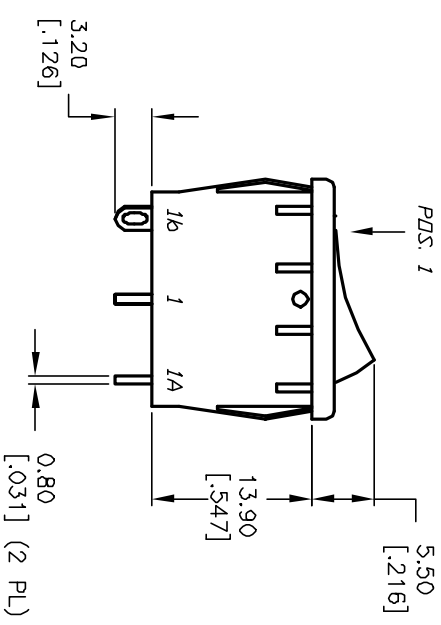
CIRCUIT: SPST

- NOTES:
1. ALL DIMENSIONS IN MM [INCH]
  2. GENERAL TOLERANCE: X.X=±0.4  
X.XX=±0.25
  3. TERMINAL NUMBERS FOR REF ONLY
  4. RATING: 15A @ 125VAC OR 6A @ 250VAC
  5. MATERIALS: (TERMINALS) SILVER PLATED COPPER  
(CONTACTS) COIN SILVER, SILVER PLATED.
  6. CONTACT RESISTANCE: <20 Mega
  7. ELECTRICAL LIFE: 10,000 cycles
  8. INSULATION RESISTANCE: >1000 Mega
  9. DIELECTRIC STRENGTH: >1500V 1 minute  
>3000V between Poles
  10. OPERATING TEMP.: -25°C to +85°C



RED L.E.D

PARAMETERS	SYMBOL	MAX. TYP.	UNITS
POWER DISSIPATION	$P_D$	80	mW
AVE FORWARD CURRENT	$I_{AF}$	--	mA
PEAK FORWARD CURRENT	$I_{PF}$	100	mA
REVERSE VOLTAGE	$V_R$	5	V
FORWARD VOLTAGE	$V_F$	2.1	V
REVERSE CURRENT	$I_R$	100	$\mu A$
EMISSION WAVELENGTH	$\lambda_p$	660	nm
LUMINOUS INTENSITY	$I_v$	30	mcd



REV.	ECN No.	DESCRIPTION	DATE	CHKD
C	13032	TEXT ORIENTATION, DRTHD VIEW	4/10/03	AR
B	11666	REVISED AND REDRAWN	9/20/01	CJB

TITLE	SCALE	DATE	DR	DWG	REV
R19664 BLK BLK I S RED	1.5:1	5/22/96	MM	M301107	C

**E-SWITCH**®

THE INFORMATION CONTAINED IN THIS DOCUMENT IS PROPRIETARY TO E-SWITCH AND IS NOT TO BE COPIED OR TRANSFERRED