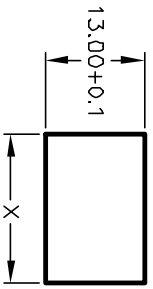
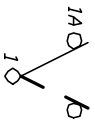


PANEL THICKNESS	X dimension
0.75-1.25 [.030-.049]	19.2-.01 [7.56]
1.25-2.0 [.049-.079]	19.4-.01 [7.64]
2.0-3.0 [.079-.118]	19.8-.01 [7.80]



PANEL CUTOUT
NOT TO SCALE

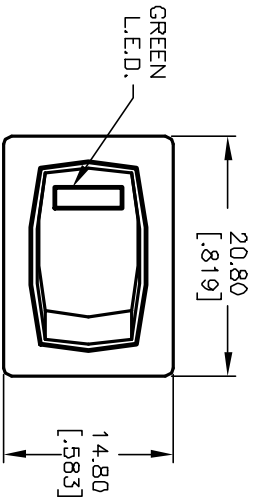
SWITCH FUNCTION	
PDS, 1	PDS, 2
DN	OFF
1-1a	DPEN



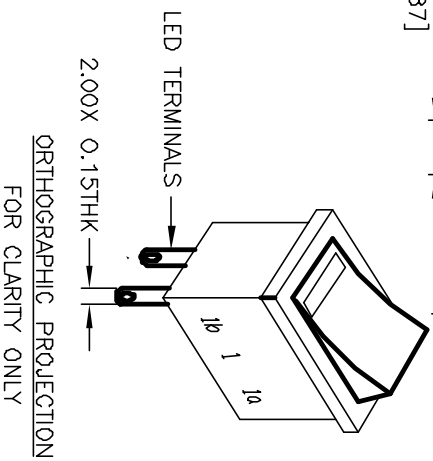
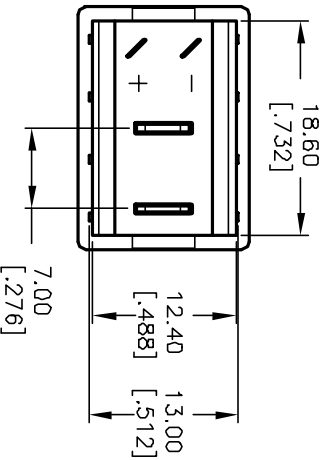
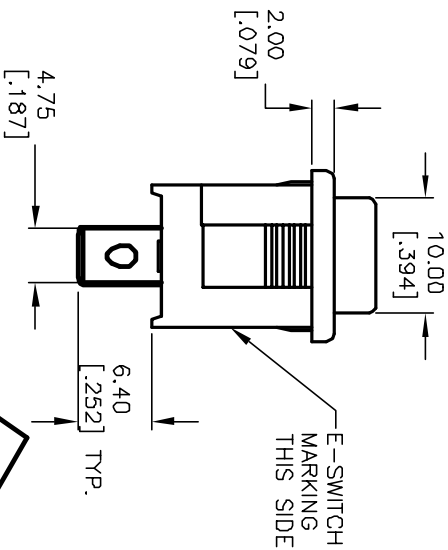
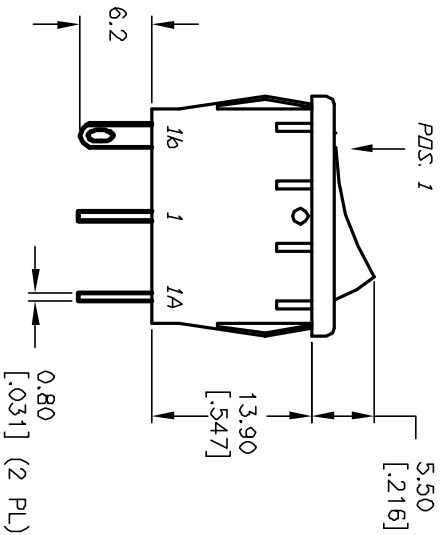
CIRCUIT: SPST

NOTES:

- ALL DIMENSIONS IN MM [INCH]
- GENERAL TOLERANCE: X.X=±0.4
X.XX=±0.25
- TERMINAL NUMBERS FOR REF ONLY
- RATING: 15A @ 125VAC OR 6A @ 250VAC
- MATERIALS: (TERMINALS) SILVER PLATED COPPER
(CONTACTS) COIN SILVER, SILVER PLATED.
- CONTACT RESISTANCE: <20 Mega
- ELECTRICAL LIFE: 10,000 cycles
- INSULATION RESISTANCE: >1000 Mega
- DIELECTRIC STRENGTH: >1500V 1 minute
- OPERATING TEMP. RANGE: -25°C to +85°C



GREEN L.E.D.				
PARAMETERS	SYMBOL	MAX.	TYP.	UNITS
POWER DISSIPATION	P_D	80		mW
AVE FORWARD CURRENT	I_{AF}	--		mA
PEAK FORWARD CURRENT	I_{PF}	100		mA
REVERSE VOLTAGE	V_R	5		V
FORWARD VOLTAGE	V_F	2.6		V
REVERSE CURRENT	I_R		100	μ A
EMISSION WAVELENGTH	λ_p		570	nm
LUMINOUS INTENSITY	I_v		30	mcd



ORTHOGRAPHIC PROJECTION
FOR CLARITY ONLY

E-SWITCH®

REV.	ECN No.	REVISION & REDRAWN	DATE	CHKD	TITLE	SCALE	DATE	DR	DWG	REV
B	11666	REVISED & REDRAWN	9/20/01	CJB	R1966A BLK BLK E F GRN	1.5:1	9/20/01	CB	M301101	B
THE INFORMATION CONTAINED IN THIS DOCUMENT IS PROPRIETARY TO E-SWITCH AND IS NOT TO BE COPIED OR TRANSFERRED										