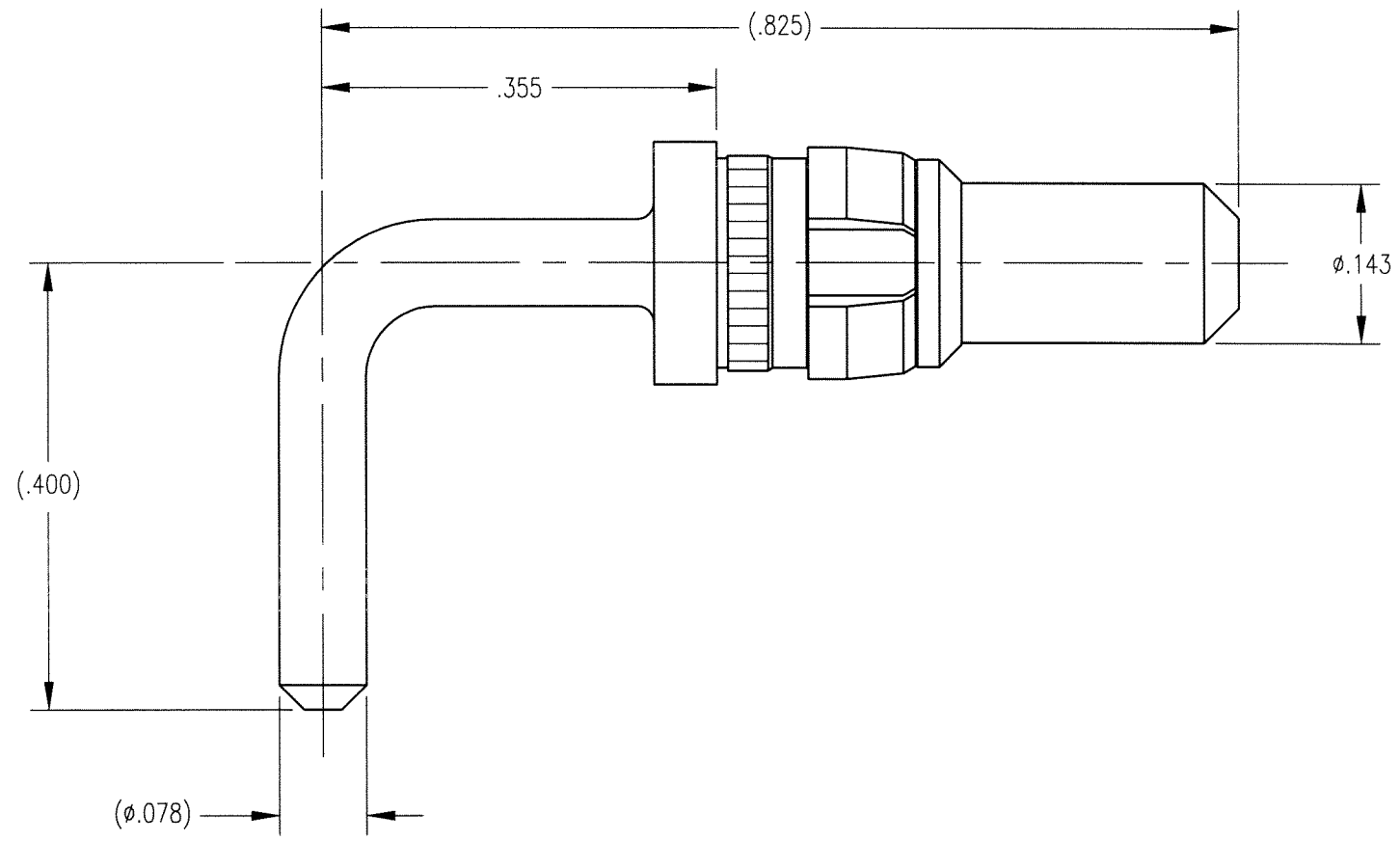



DWG. NO.		222-010-0044G	
REV	DESCRIPTION	BY DATE	APPD
B	ECR 6798	5/7/01 AP	05/01 AP



- NOTES:
- MATERIALS:
 BODY: BRASS PER ASTM B16
 CLIP RING: BERYLLIUM COPPER PER ASTM B194
 - FINISH:
 BODY: .000030 MIN. GOLD PER MIL-G-45204 OVER
 .000050 MIN. NICKEL PER QQ-N-290
 CLIP RING: .000050 MIN. NICKEL PER QQ-N-290 OVER
 COPPER FLASH PER MIL-C-14550

PER ASME Y14.5M-1994 UNLESS OTHERWISE SPECIFIED: DIMENSIONS ARE IN INCHES (MM) TOLERANCES: DECIMALS xx ± .01/0.254 xxx ± .005/0.127 ANGLES ± 2°				SCALE: 6:1		Litton Winchester/Retconn 400 Park Road Watertown, Connecticut 06795	
CUSTOMER DRAWING						TITLE	
DRAWN		DATE		CHECKED		DATE	
JMC		8/5/98		EJW		8/5/98	
APPROVED		DATE		APPROVED		DATE	
PAT		8/5/98		PAT		8/5/98	
A				222-010-0044G		SHT. OF REV.	
				1 1		B	