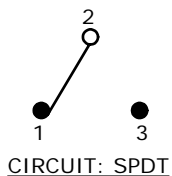
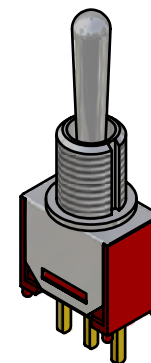
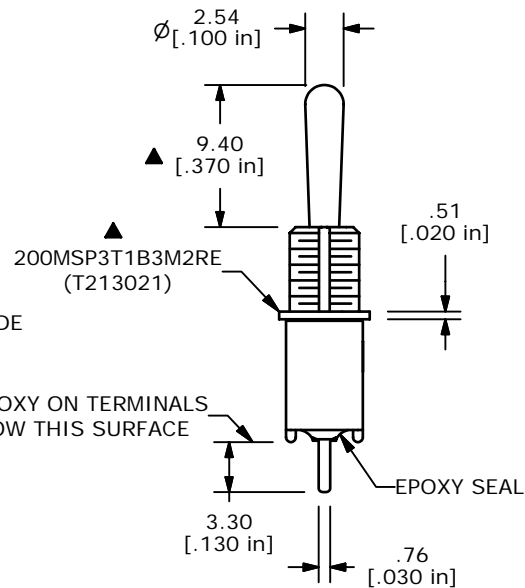
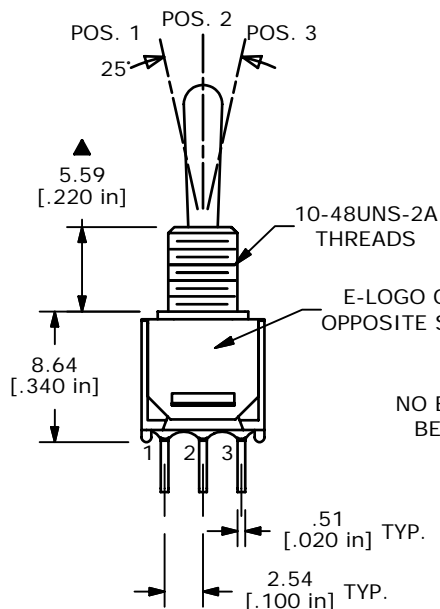
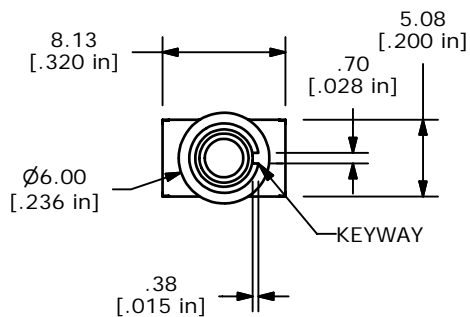


P.C. MOUNTING

SWITCH FUNCTION		
POS. 1	POS. 2	POS. 3
ON	OFF	ON
2-3	OPEN	2-1



- NOTE:
1. ALL DIMENSIONS IN MM [INCH]
  2. GENERAL TOLERANCE: X.X=±0.4  
X.XX=±0.25
  3. TERMINAL NUMBERS FOR REF ONLY
  - ▲ 4. PLATING MATERIAL: GOLD
  5. RATING: 0.4VA MAX. @20V MAX. AC OR DC
  6. ELECTRIC LIFE: 30,000 MAKE-AND-BREAK CYCLES AT FULL LOAD.
  7. INSULATION RESISTANCE: 1,000 MEGA-OHM MIN.
  8. DIELECTRIC STRENGTH: 1,000 V RMS @SEA LEVEL.
  9. OPERATING TEMP.: -30°C to 85°C
  - ▲ 10. HARDWARE TO BE SHIPPED BULK  
T200001 - HEXNUT - QTY 2  
T200000 - LOCKWASHER - QTY 1  
T100002 - LOCKRING - QTY 1
  11. ▲ DENOTES CRITICAL PARAMETER.
  12. 2002/95/EC (ROHS) COMPLIANT



ISOMETRIC

**E-SWITCH®**

TITLE 200MSP3T1B3M2REH				
SCALE 2:1	DATE 4/1/2005	DR AR	DWG ST213021	REV B

B	15616	CHANGE HEX NUT, ADD ROHS	12/20/05	PH
A	14813	RELEASED FOR PRODUCTION	4/1/05	AR
REV	PCR NO	DESCRIPTION	DATE	BY

THE INFORMATION CONTAINED IN THIS DOCUMENT IS PROPRIETARY TO E-SWITCH AND IS NOT TO BE COPIED OR TRANSFERRED