

### Stacked Coin Type

Series: **NF**

#### ■ Features

- Endurance : 70 °C 1000 h
- RoHS directive compliant



#### ■ Recommended Applications

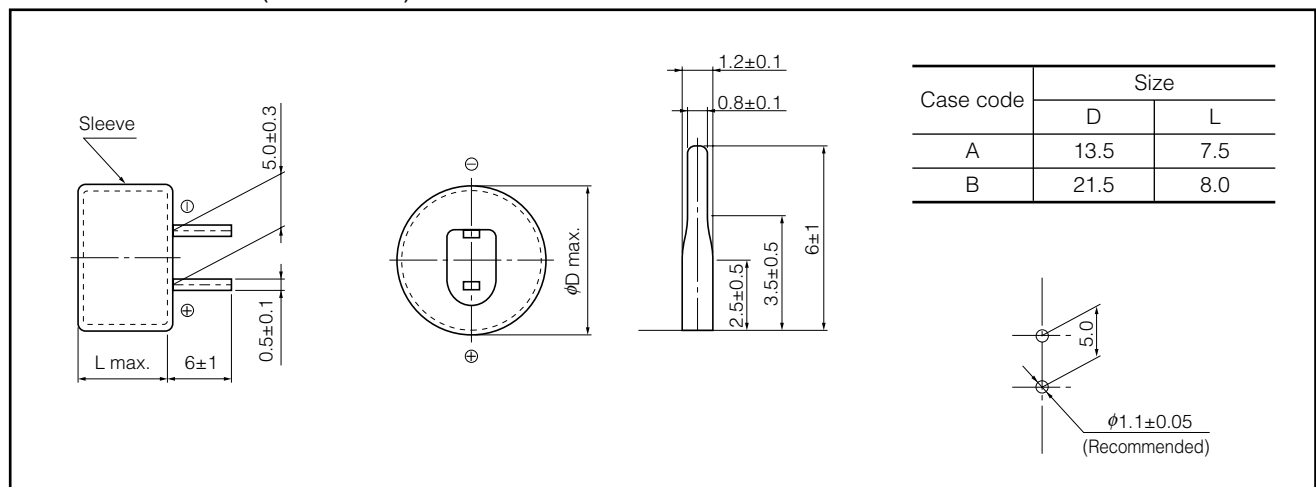
- Memory back-up for video and audio equipment, cameras, telephones, printers, data terminals, rice cookers and intelligent remote controls.

#### ■ Specifications

|                                    |  |  |
|------------------------------------|--|--|
| Category Temp. Range               | -25 °C to +70 °C   |  |
| Maximum Operating Voltage          | 5.5 V.DC   |  |
| Nominal Cap.Range                  | 0.22 F to 1.5 F  |  |
| Characteristics at Low Temperature | Capacitance change   | ±30 % of initial measured value at +20 °C (at -25 °C)    |
|                                    | Internal resistance  | ≤5 times of initial measured value at +20 °C (at -25 °C) |
| Endurance                          | After 1000 hours application of 5.5 V. DC at +70 °C, the capacitor shall meet the following limits.          |  |
|                                    | Capacitance change   | ±30 % of initial measured value                          |
|                                    | Internal resistance  | ≤4 times of initial specified value                      |
| Shelf Life                         | After 1000 hours storage at +70°C without load, the capacitor shall meet the specified limits for Endurance. |  |

#### ■ Dimensions in mm(not to scale)

(Unit : mm)



#### ■ Standard Products

\* : Last purchasing order : Received by the end of Sep. of 2014 / Last shipment : The end of Mar. of 2015  
Please consider more than 0.22 F.

| Maximum Operating Voltage<br>(V.DC) | Capacitance<br>(F) | Capacitance tolerance<br>(F) | Internal resistance<br>(Initial specified value)<br>(Ω) at 1kHz | Case code | Part number | Min. Packaging Q'ty       |                                       |      |
|-------------------------------------|--------------------|------------------------------|---|-----------|-------------|---------------------------|---------------------------------------|------|
|                                     |                    |                              |   |           |             | Quantity per box<br>(pcs) | Quantity per outer packaging<br>(pcs) |      |
| 5.5                                 | *                  | 0.10                         | 0.08 to 0.18  | ≤ 75      | A           | EECF5R5U104               | 200                                   | 2000 |
|                                     |                    | 0.22                         | 0.176 to 0.396  | ≤ 75      | A           | EECF5R5U224               | 200                                   | 2000 |
|                                     |                    | 0.47                         | 0.376 to 1.410  | ≤ 30      | B           | EECF5R5U474               | 100                                   | 500  |
|                                     |                    | 1.0                          | 0.80 to 1.80  | ≤ 30      | B           | EECF5R5U105               | 100                                   | 500  |
|                                     |                    | 1.5                          | 1.20 to 2.70  | ≤ 30      | B           | EECF5R5U155               | 100                                   | 500  |

Note : Do not use reflow soldering. (IR, Atmosphere heating methods, etc.)  
Please refer to the page of "Application Guidelines".

Design and specifications are each subject to change without notice. Ask factory for the current technical specifications before purchase and/or use.  
Should a safety concern arise regarding this product, please be sure to contact us immediately.