



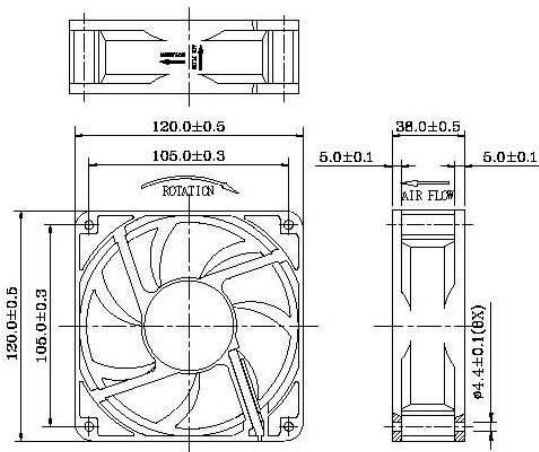
DC fan – 120x120x38mm Series

Technical options:

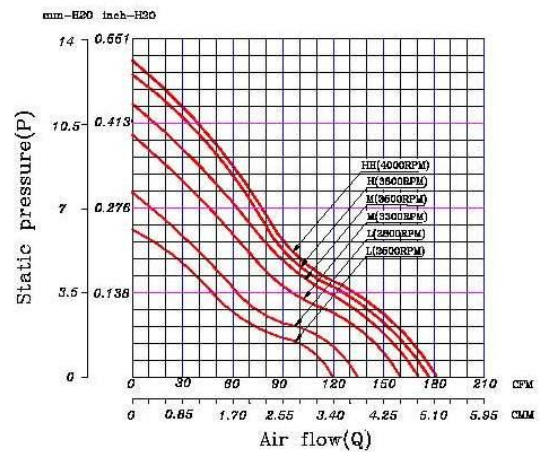
- Frequency generator (tachometer output)
- Temperature / speed control
- Locked wire, fan failure output
- Pulse width modulation
- IP coating

120 x 120 x 38 mm Series

Dimensions



Performance Curves



* All fans are with electronic protection against reverse polarity. The fan only operates when the polarity is correct.



Brushless DC Motor	Bearing Types
Housing: PBT 94V0	CeraDyna A (partial ceramic)
Impeller: PBT 94V0	CeraDyna C (full ceramic)
Weight: 270g	Ball bearing
Impedance protected	Sleeve
Lead wire UL 1007 AWG	1 Ball – 1 Sleeve

Specifications:

Model	Type	Rated Voltage (VDC)	Rated Current (Amp)	Input Power (Watts)	Nominal Speed (RPM)	Airflow (CFM)	Static Pressure (inch-H2O)	Noise Level (dBA)
FD1212-DP2XXG	III	12	1.5	18	4000	181.89	0.52	62.4
FD1212-D02XXG	III	12	1.5	18	4000	181.89	0.52	62.4
FD1212-D12XXG	III	12	1.2	14.4	3800	177.51	0.49	61.7
FD1212-D22XXG	III	12	0.9	10.8	3500	170.78	0.45	60.9
FD1212-D32XXG	III	12	0.41	4.9	2500	119.61	0.24	51.5
FD2412-DP2XXG	III	24	0.87	20.8	4000	181.89	0.52	59.4
FD2412-D02XXG	III	24	0.87	20.8	4000	181.89	0.52	59.4
FD2412-D12XXG	III	24	0.64	15.4	3800	177.51	0.49	57.6
FD2412-D22XXG	III	24	0.5	12	3300	161.02	0.4	54.9
FD2412-D32XXG	III	24	0.3	7.2	2800	133.96	0.3	47.7
FD4812-DP1XXG	II	48	0.4	19.2	4000	181.89	0.52	59.4
FD4812-D01XXG	II	48	0.4	19.2	4000	181.89	0.52	59.4
FD4812-D11XXG	II	48	0.31	14.8	3800	177.51	0.49	57.6
FD4812-D21XXG	II	48	0.22	10.5	3300	161.02	0.4	54.9
FD4812-D31XXG	II	48	0.13	6.24	2500	119.61	0.24	51.5

How to read the DC Fan part number

ACT-RX Technology Corporation

