

DAE-1F SERIES, 1WATT, 3KVDC, UNREGULATED

FEATURES:

- ✓ 3 years warranty
- ✓ 3000Vdc isolation voltage
- ✓ Single and dual output models
- ✓ Operating temperature range -40°C to +85°C



Model	Input voltage (Vdc)	Output voltage (Vdc)	Output current (mA)		Efficiency Typ.
			Min.	Max.	
DAE1-0511F	5(4.5~5.5)	5	20	200	80%
DAE1-0512F		9	11	110	80%
DAE1-0513F		12	8.3	83	80%
DAE1-0514F		15	6.8	68	80%
DAE1-0515F		24	4.2	42	80%
DAE1-0521F		±5	10	100	80%
DAE1-0522F		±9	5.5	55	80%
DAE1-0523F		±12	4	40	80%
DAE1-0524F		±15	3.3	33	80%
DAE1-0525F		±24	2.1	21	80%
DAE1-1211F	12(10.8~13.2)	5	20	200	80%
DAE1-1212F		9	11	110	80%
DAE1-1213F		12	8.3	83	80%
DAE1-1214F		15	6.8	68	80%
DAE1-1215F		24	4.2	42	80%
DAE1-1221F		±5	10	100	80%
DAE1-1222F		±9	5.5	55	80%
DAE1-1223F		±12	4	40	80%
DAE1-1224F		±15	3.3	33	80%
DAE1-1225F		±24	2.1	21	80%
DAE1-2411F	24(21.6~26.4)	5	20	200	80%
DAE1-2412F		9	11	110	80%
DAE1-2413F		12	8.3	83	80%
DAE1-2414F		15	6.8	68	80%
DAE1-2415F		24	4.2	42	80%
DAE1-2421F		±5	10	100	80%
DAE1-2422F		±9	5.5	55	80%
DAE1-2423F		±12	4	40	80%
DAE1-2424F		±15	3.3	33	80%

DAE-1F SERIES, 1WATT, 3KVDC, UNREGULATED

Model	Input voltage (Vdc)	Output voltage (Vdc)	Output current (mA)		Efficiency Typ.
			Min.	Max.	
DAE1-2425F	24(21.6~26.4)	±24	2.1	21	80%

Notes: other input and output models may available on request.

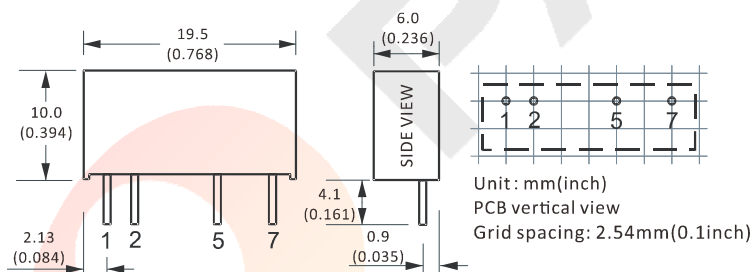
ELECTRICAL

Line regulation	---	±1.2%
Load regulation	10% ~ 100% full load	15% max.
Ripple and noise	---	100mVp-p max.
Isolation voltage	---	3000Vdc
Operating temperature range	---	-40°C to +85°C
MTBF	---	3.5x10 <sup>6</sup> Hrs

Notes: All the data in this article are under test with "TA+25°C, humidity<75%, rated input and rated load" mode.

MECHANICAL

Single output



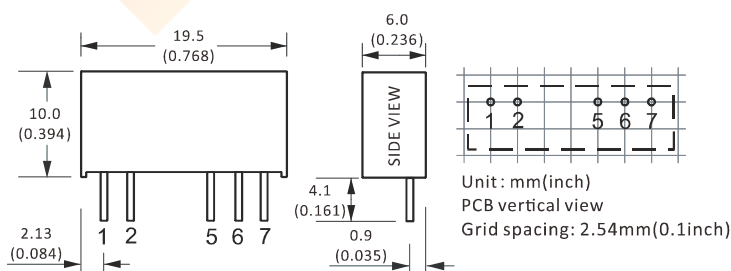
CONNECTION

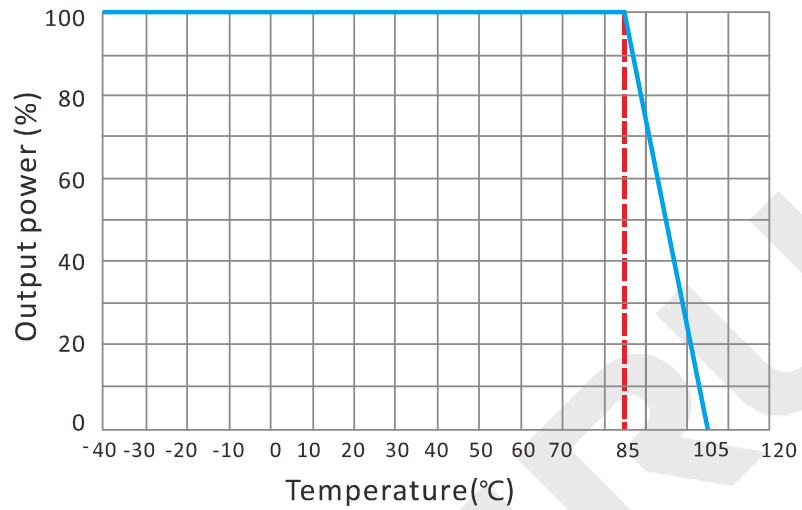
PIN #	SINGLE	DUAL
1	+Vin	+Vin
2	GND	GND
5	-Vo	-Vo
6	No Pin	COM
7	+Vo	+Vo

Note:

\* Unit is mm(inch).

Dual output

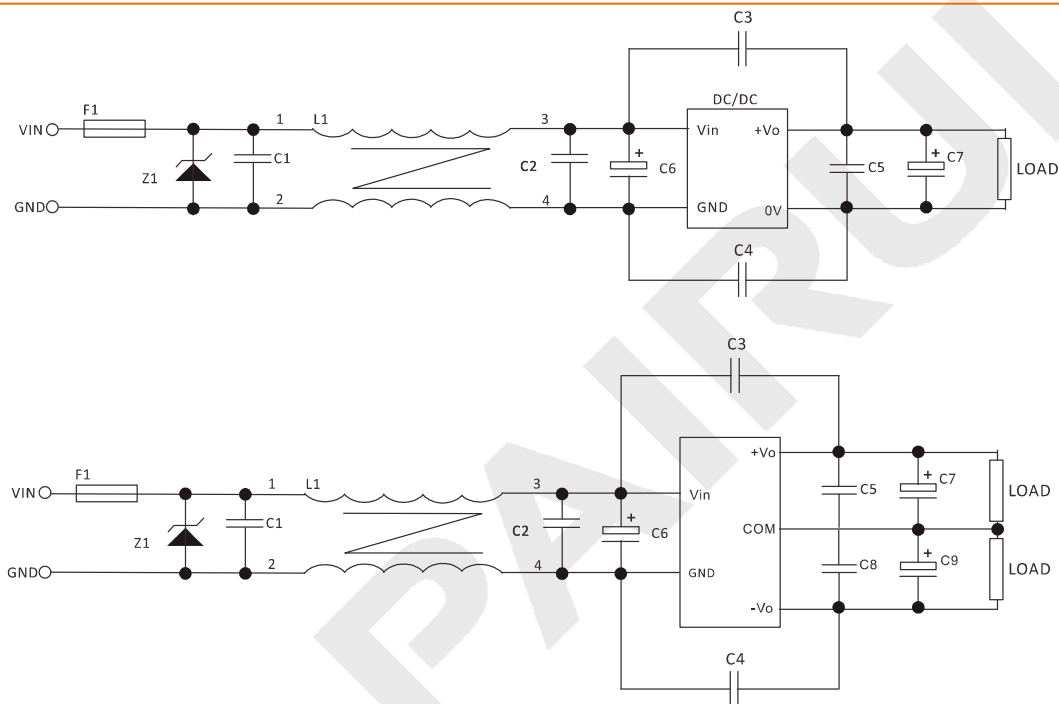


**DAE-1F SERIES, 1WATT, 3KVDC, UNREGULATED**
**TEMPERATURE PROFILE**

**CAPACITIVE LOADS SELECTION**

Vin (Vdc)	Cin (μF)	Single Output Voltage (Vdc)	Cout (μF)	Dual Output Voltage (Vdc)	Cout (μF)
5	4.7	5	10	±5	4.7
12	2.2	9	4.7	±9	2.2
24	1	12	2.2	±12	1
-	-	15/24	1	±15	0.47

**DAE-1F SERIES, 1WATT, 3KVDC, UNREGULATED**
**NOTES**
**RECOMMENDED TEST AND APPLICATION CIRCUIT**

In order to ensure the efficiency and dependability of the module, the minimum specified load must be less than 10% of rated load. If the output power is low, we recommend to add an external 10% loading resistor in parallel.



FUSE: depends on the actual input current;

TVS: depends on the actual input voltage;

Recommended capacitor: C1, C2, C5, C8, about 0.1uF; for C6, C7, C9, please check the capacitive load; C3, C4: 2KV/1nF.