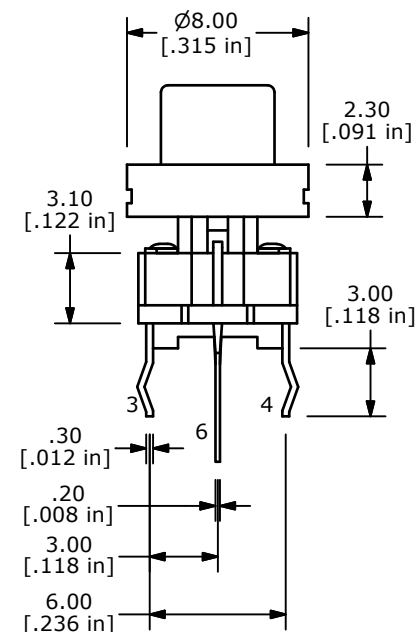
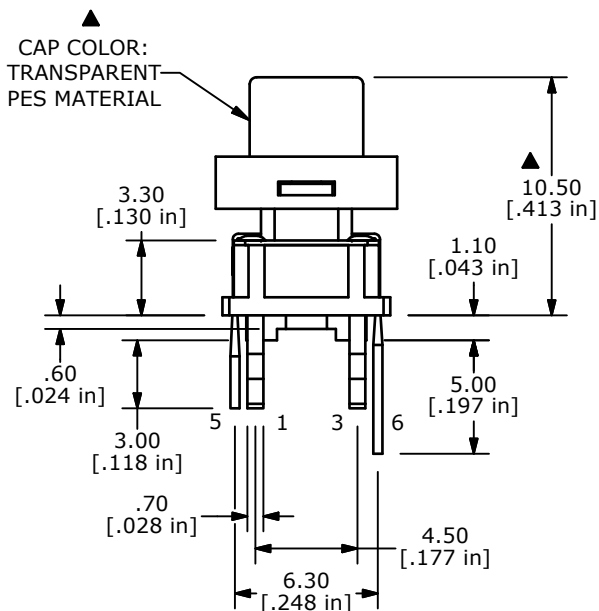
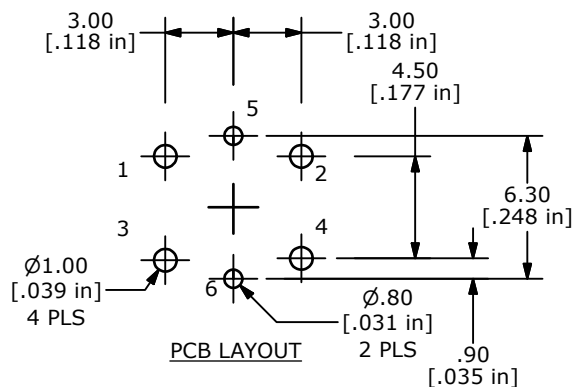
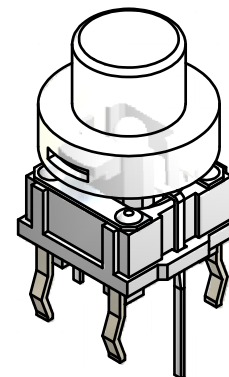
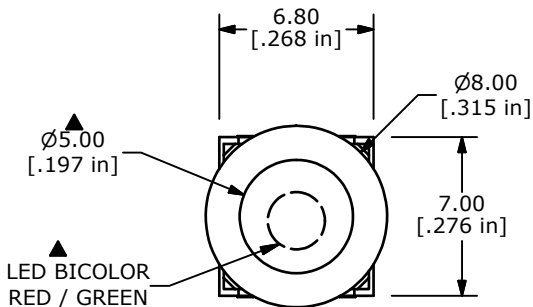


CIRCUIT: SPST ▲



NOTES:

1. ALL DIMENSIONS IN MM
2. GENERAL TOLERANCE: X.X=±0.4  
X.XX=±0.25
3. RATING: 50mA, 12VDC
- ▲ 4. TRAVEL: 0.2 ±0.1
5. OPERATING FORCE: 160±50gf
6. CONTACT RESISTANCE: 100mΩ MAX
7. CONTACT MATERIAL: SILVER
8. OPERATING LIFE: 500,000 CYCLES
9. INSULATION RESISTANCE: 100MΩ MIN. @ 500VDC
10. DIELECTRIC STRENGTH: 500VDC FOR 1 MINUTE
- ▲ 11. LED COLOR: RED / GREEN
12. OPERATING TEMPERATURE: -20° C TO 70° C
13. 2002/95/EC (ROHS) COMPLIANT
14. ▲ DENOTES CRITICAL PARAMETER

| ▲ LED SPECS        | UNITS | RED LED             | GREEN LED          |
|--------------------|-------|---------------------|--------------------|
| FORWARD CURRENT    | mA    | 20                  | 20                 |
| FORWARD VOLTAGE    | V     | 1.95 TYP. - 2.5 MAX | 2.1 TYP. - 2.5 MAX |
| LUMINOUS INTENSITY | mcd   | 70 typ.             | 500 typ.           |



|       |           |               |         |     |
|-------|-----------|---------------|---------|-----|
| TITLE |           | TL1265RGQSCLR |         |     |
| SCALE | DATE      | DR            | DWG     | REV |
| 3:1   | 9/27/2011 | BGL           | B200037 | A   |

|   |        |                        |         |     |
|---|--------|------------------------|---------|-----|
| A   | 20179  | RELEASE FOR PRODUCTION | 9/27/11 | BGL |
| REV   | PCR NO | DESCRIPTION            | DATE    | BY  |
| THE INFORMATION CONTAINED IN THIS DOCUMENT IS PROPRIETARY<br>TO E-SWITCH AND IS NOT TO BE COPIED OR TRANSFERRED |        |                        |         |     |