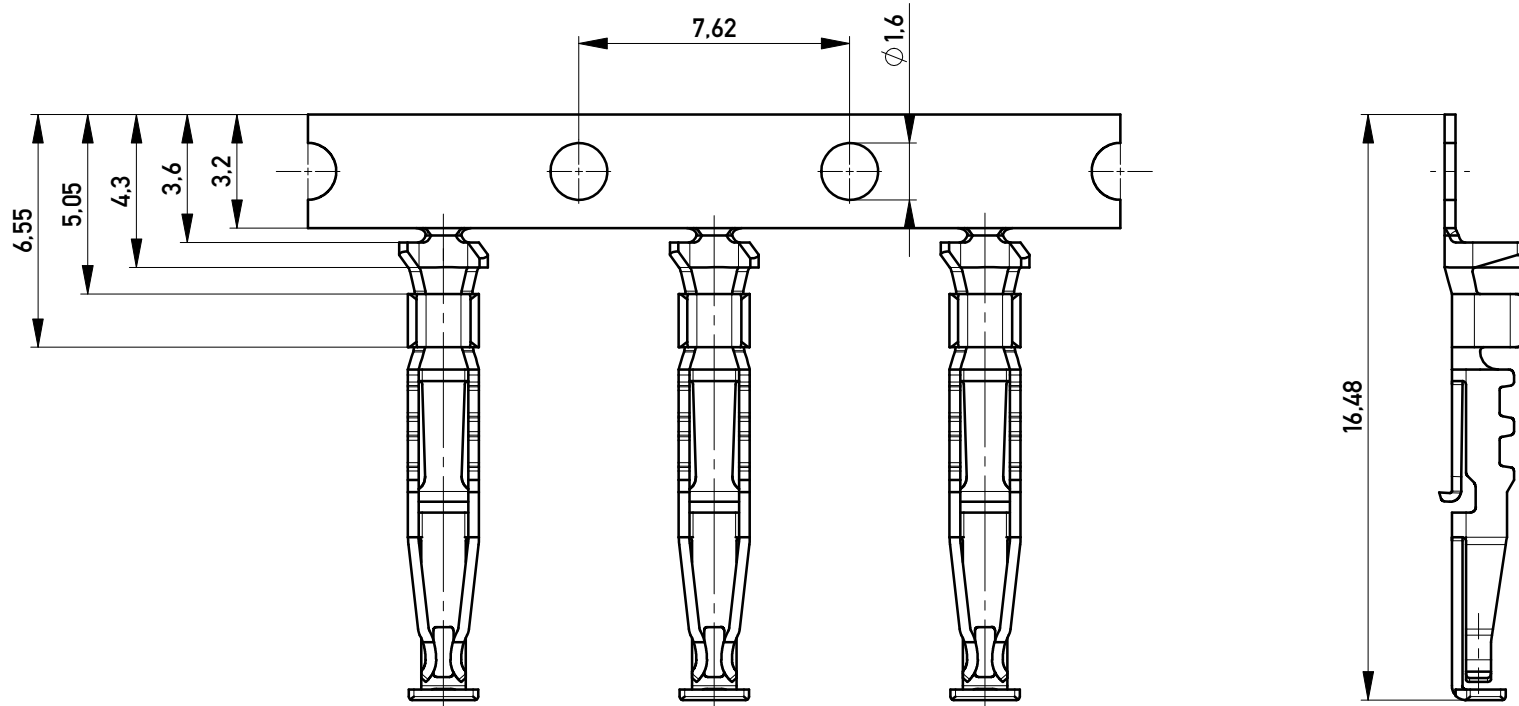
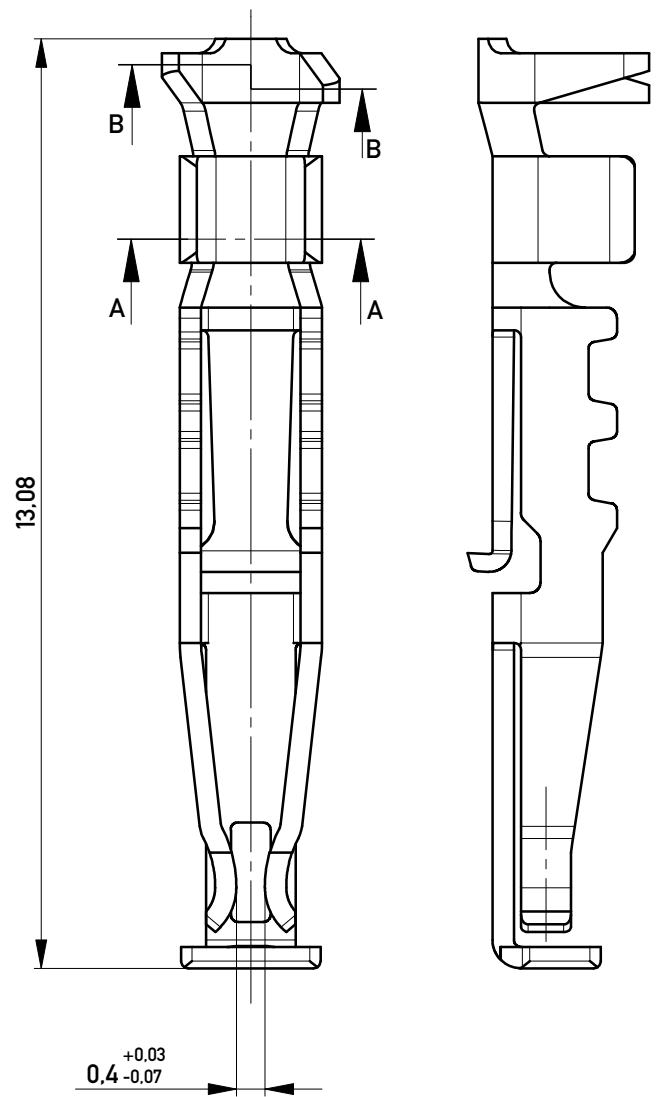


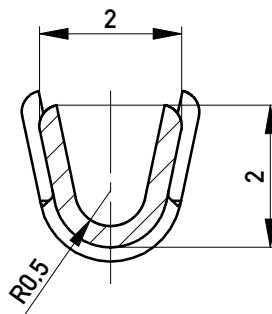
Federkontakte am Band



Federkontakt vereinzelt

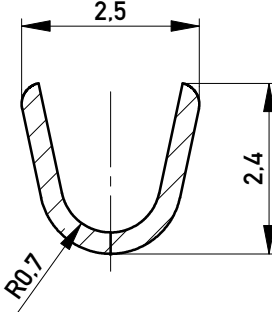


Schnitt A-A M 10:1

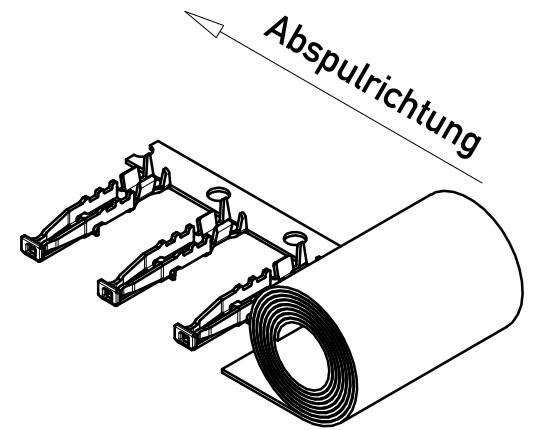


Drahtcrimp

Schnitt B-B M 10:1



Isolationscrimp



¹ AWG 20 für Isolationsdurchmesser < 1,5mm

AWG 20-22 ¹	10000	∅ 630	137	
Leiterquerschnitt wire cross section	Menge	Spulen- durchmesser	Anforder- ungsstufe	Bemerkung

Information: All rights reserved. Only for Information. To ensure that this is the latest version of this drawing, please contact one of the ERNI companies before using.	Tolerances	 All Dimensions in mm	Scale 2:1
	Subject to modification without prior notice. Drawing will not be updated.		Designation Federkontakte 2,54 SRC-A BA1 <i>Spring contact 2,54 SRC-A</i>
f Index	10.04.2013 Date	 www.ERNI.com	101300880001 Class SRCBUT
			K A3

Copyright by ERNI GmbH
 Proprietary notice pursuant to ISO 16016 to be observed.