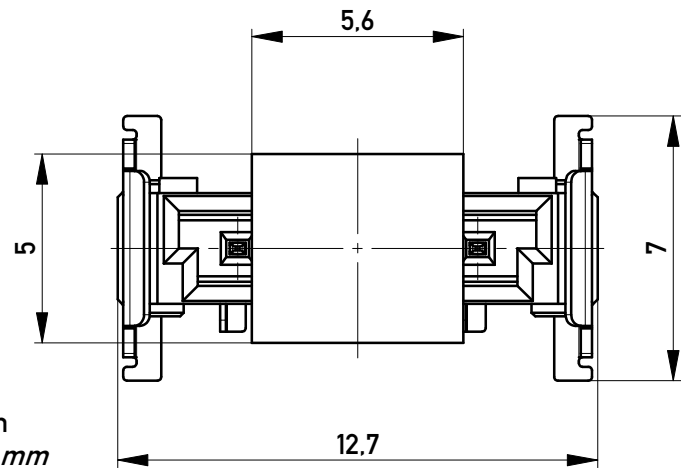


Anforderungsstufe 1  
Performance Level 1

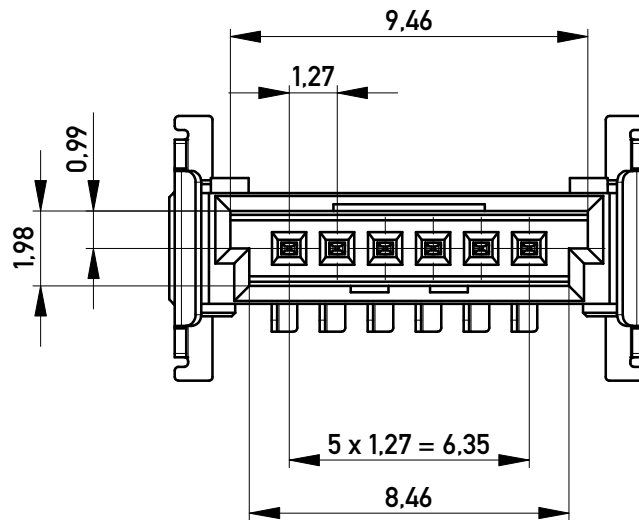
Kontaktbereich vergoldet  
Mating Area gold plating

Anschlussbereich verzinkt 4-6 µm  
Terminal Area 4-6 µm tin plating

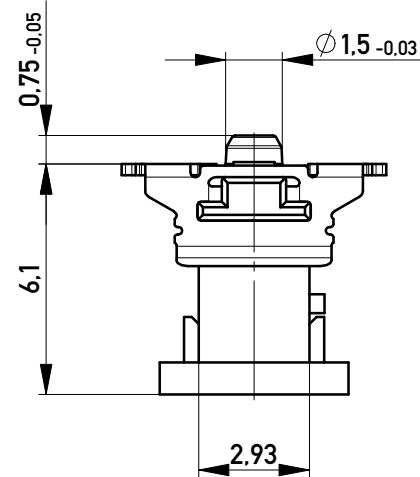
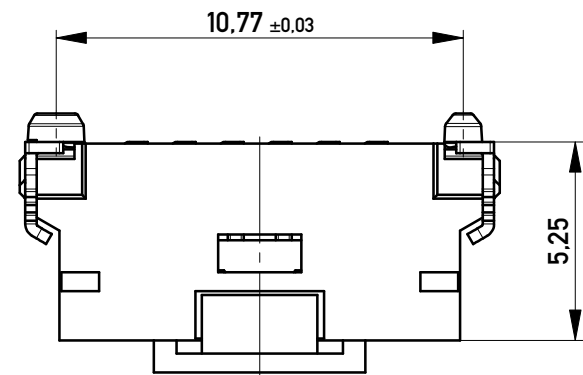
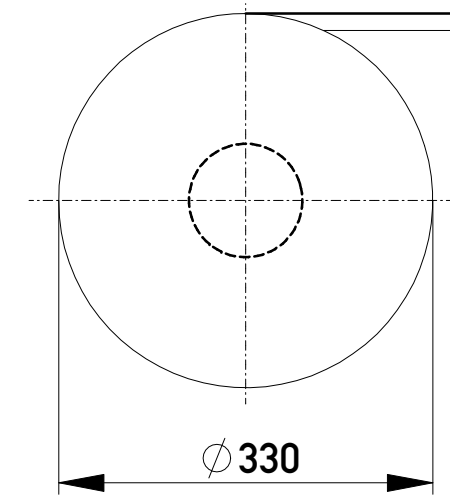
Koplanarität der Anschlüsse ≤ 0,1 mm  
Coplanarity Area of Termination ≤ 0,1 mm



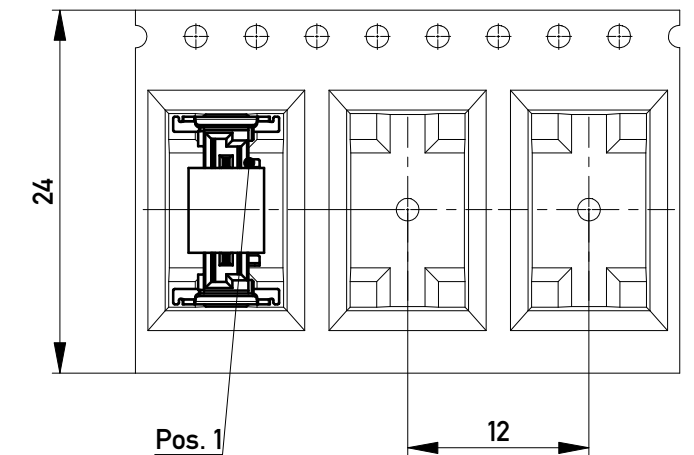
ohne Ansaughaube - without hood



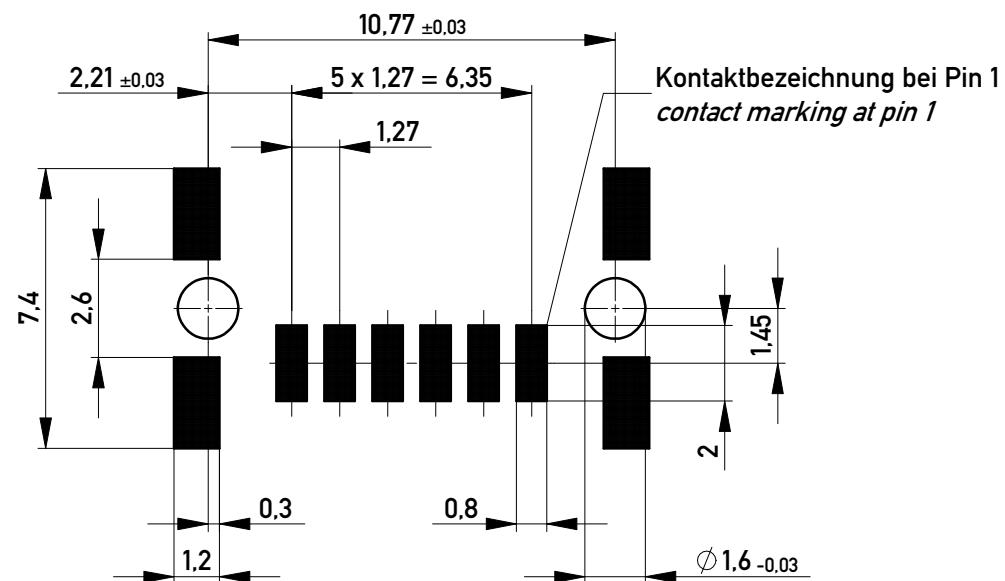
Verpackt im Gurt nach DIN IEC 60286-3  
Tape on Reel Packaging according to DIN IEC 60286-3  
Verpackungseinheit: 650 Stück  
Packaging unit: 650 pcs



Abspulrichtung - Reel off Direction



Leiterplatten-LAYOUT für SMT  
PCB-LAYOUT for SMT



Copyright by ERNI GmbH  
Proprietary notice pursuant to ISO 16016 to be observed.

Information:		Tolerances		Scale	5:1
All rights reserved. Only for Information. To ensure that this is the latest version of this drawing, please contact one of the ERNI companies before using.		Subject to modification without prior notice. Drawing will not be updated.		Designation	
				M 1,27 SRC P, 6-polig BA1	
		www.ERNI.com		100103600001	
d	06.06.2014			K	
Index	Date			A3	
				Class	SRCP