



# RSF100 Series

## External mount miniature vertical switch



- External mount via compression seal
- Compact design with small diameter float
- WRAS approved versions available

### Technical Specification

Material	Nylon	Polypropylene	Polypropylene	Polyphenylene Sulphide
		WRAS approved	UL approved	WRAS/UL
Colour	Black	Opaque	White	Grey
Temp. Range °C	-20 / +75	-20 / +100	-20 / +100	-10 / +120*
°F	-4 / +167	-4 / +212	-4 / +212	+14 / +248*
Min. Fluid SG	??	??	??	??

\* Maximum temperature requires ETFE cable to be specified.

### Electrical Specification

		25W (Y code)	100W (H code)
Contact Form		N/O (N/C)	N/O (N/C)
Switching Power Max	VA	25	100
Switching Voltage AC Max	V	240	300
Switching Voltage DC Max	V	120	300
Switching Current Max	A	0.6	1

All ratings are for resistive load only.

A compact vertically mounted design with a single switch point.

Mounting is in the top or bottom of a tank via a compression seal, so does not require access to the inside of the tank for fitting

Standard versions are 25VA and high power versions are available with 100VA switching capacity.

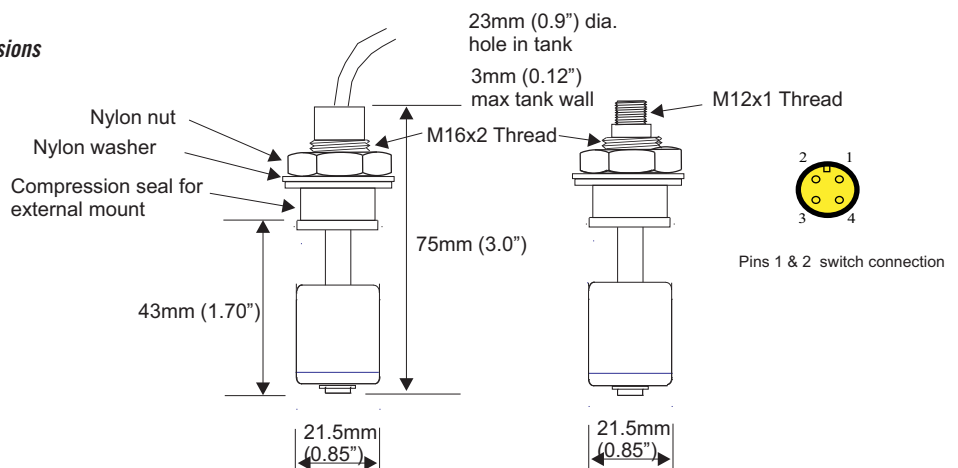
Available in flying lead of M12 connector versions.

Cables are available for use with M12 connection versions.

Standard Parts	Material	Max Power	Leadouts	Gasket
RSF103Y100JN	Nylon	25VA	100cm PVC 2 core 7/0.2	Nitrile
RSF103H100JN	Nylon	100VA	100cm PVC 2 core 7/0.2	Nitrile
RSF104Y100JN	Polypropylene	25VA	100cm PVC 2 core 7/0.2	Nitrile
RSF104H100JN	Polypropylene	100VA	100cm PVC 2 core 7/0.2	Nitrile
RSF106Y100JN	Polyphenylene Sulphide	25VA	100cm PVC 2 core 7/0.2	Nitrile
RSF106Y050TV	Polyphenylene Sulphide	25VA	50cm PTFE 2 core 7/0.2	Viton
RSF106H100JN	Polyphenylene Sulphide	100VA	100cm PVC 2 core 7/0.2	Nitrile
RSF106H050TV	Polyphenylene Sulphide	100VA	50cm PTFE 2 core 7/0.2	Viton
RSF108Y100JN	Polypropylene	25VA	100cm PVC 2 core 7/0.2	Nitrile
RSF108H100JN	Polypropylene	100VA	100cm PVC 2 core 7/0.2	Nitrile
RSF103YNP	Nylon	25VA	M12 Connector	Nitrile
RSF103HNP	Nylon	100VA	M12 Connector	Nitrile
RSF104YNP	Polypropylene	25VA	M12 Connector	Nitrile
RSF104HNP	Polypropylene	100VA	M12 Connector	Nitrile
RSF106YNP	Polyphenylene Sulphide	25VA	M12 Connector	Nitrile
RSF106HNP	Polyphenylene Sulphide	100VA	M12 Connector	Nitrile
RSF108YNP	Polypropylene	25VA	M12 Connector	Nitrile
RSF108HNP	Polypropylene	100VA	M12 Connector	Nitrile

Custom versions can be made for particular applications. Please contact Cynergy3 with your requirements.

### Mechanical Dimensions



Cynergy3 Components Ltd.  
7 Cobham Road  
Ferndown Industrial Estate  
Wimborne, Dorset BH21 7PE  
Telephone +44 (0) 1202 897969

Email: sales@cynergy3.com

ISO9001 CERTIFIED

www.cynergy3.com