

SPECIFICATIONS

Mechanical

Contact Retention Force: 0.91Kgf min.

Electrical

Current Rating: 1.0A max. per contact

Current Voltage: 500V AC

Insulation Resistance: 1000MΩ min.

Physical

Housing: Thermoplastic, nylon, UL 94V-0 rating in white color

Contact: Copper alloy

Plating: See "ORDERING INFORMATION"

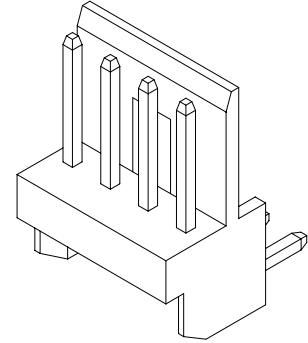
Operating Temperature: -55 to +105

Friction Header

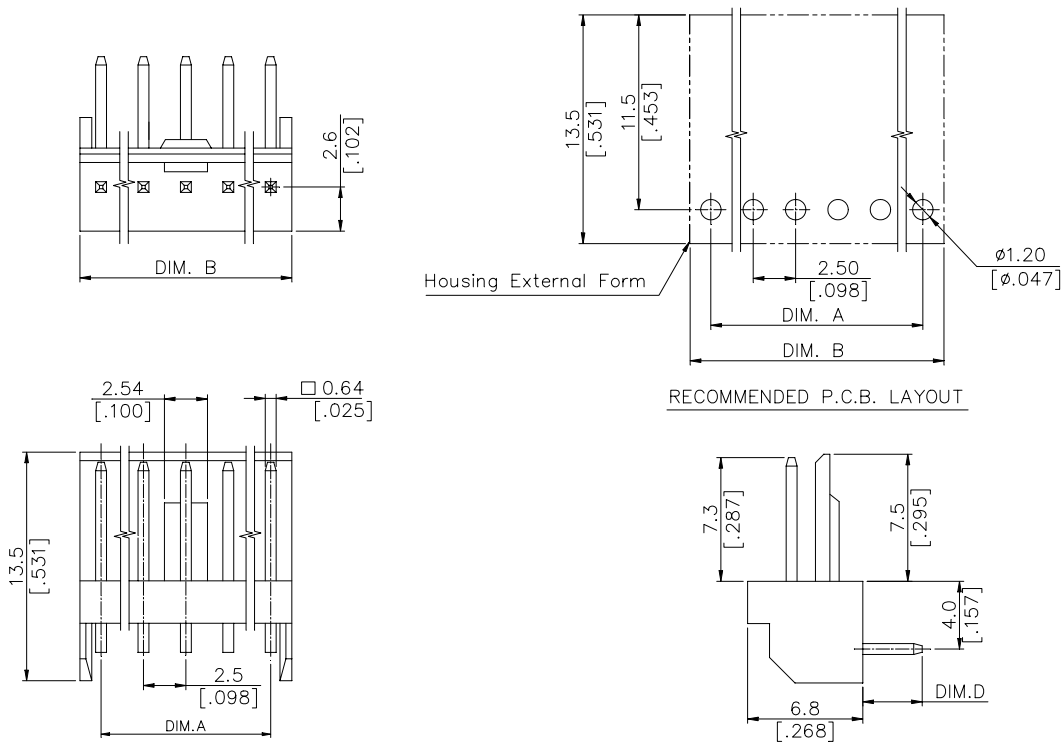
HF44 Series

Friction R/A Type

2.5mm [.098"] Pitch

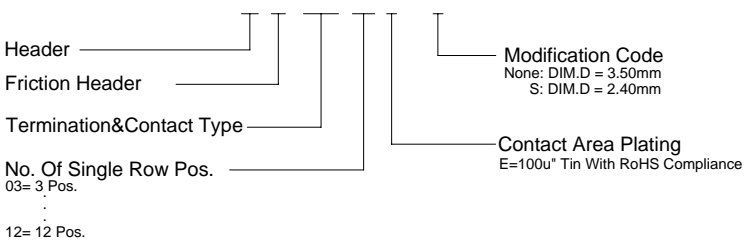


DRAWING



ORDERING INFORMATION

PRODUCT No. : H F 4 4 * * * - *



HF4407*-*	7	15.00 [.588]	17.50 [.686]	HF4412*-*	12	27.50 [1.078]	30.00 [1.176]
HF4406*-*	6	12.50 [.490]	15.00 [.588]	HF4411*-*	11	25.00 [.980]	27.50 [1.078]
HF4405*-*	5	10.00 [.392]	12.50 [.490]	HF4410*-*	10	22.50 [.882]	25.00 [.980]
HF4404*-*	4	7.50 [.294]	10.00 [.392]	HF4409*-*	9	20.00 [.784]	22.50 [.882]
HF4403*-*	3	5.00 [.197]	7.50 [.294]	HF4408*-*	8	17.50 [.686]	20.00 [.784]
PRODUCT No.	POS.	DIM. A	DIM. B	PRODUCT No.	POS.	DIM. A	DIM. B