



75 Ohm SMC Jack to 50 Ohm BNC Female Adapter

TECHNICAL DATA SHEET

PE91044

75 Ohm SMC Jack to 50 Ohm BNC Female Adapter

Configuration

Connector 1	SMC Jack
Impedance 1	75 Ohms
Connector 2	BNC Female
Impedance 2	50 Ohms
Adapter Design	Standard
Body Style	Straight

Mechanical Specifications

Connector 1	
Type	SMC Jack
Connector 2	
Type	BNC Female

Compliance Certifications (visit www.Pasternack.com for current document)
RoHS Compliant Yes

Plotted and Other Data

Notes: Values at 25 °C, sea level

URL: <http://www.pasternack.com/smc-jack-bnc-female-straight-adapter-pe91044-p.aspx>

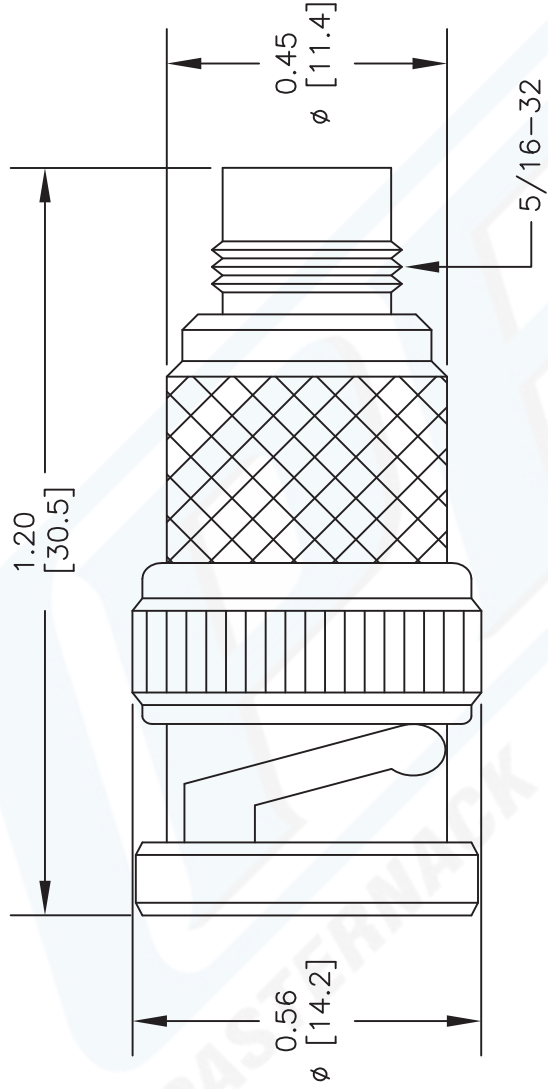
75 Ohm SMC Jack to 50 Ohm BNC Female Adapter from Pasternack Enterprises has same day shipment for domestic and International orders. Our RF, microwave and fiber optic products maintain a 99% availability and are part of the broadest selection in the industry.

The information contained in this document is accurate to the best of our knowledge and representative of the part described herein. It may be necessary to make modifications to the part and/or the documentation of the part, in order to implement improvements. Pasternack reserves the right to make such changes as required. Unless otherwise stated, all specifications are nominal.



PE91044 CAD Drawing

75 Ohm SMC Jack to 50 Ohm BNC Female Adapter



NOTES:
1. UNLESS OTHERWISE SPECIFIED ALL DIMENSIONS ARE NOMINAL.
2. ALL SPECIFICATIONS ARE SUBJECT TO CHANGE WITHOUT NOTICE AT ANY TIME.
3. DIMENSIONS ARE IN INCHES [mm].

DWG TITLE
PE91044

PASTERNAK ENTERPRISES, INC.
P.O. BOX 16759, IRVINE, CA 92623
PHONE (949) 261-1920 FAX (949) 261-7451
WEB ADDRESS: www.pasternack.com
E-MAIL ADDRESS: sales@pasternack.com
COAXIAL & FIBER OPTICS



REV. -	FSCM NO. 53919	CAD FILE 080312	SCALE N/A	SIZE A	2233
--------	----------------	-----------------	-----------	--------	------