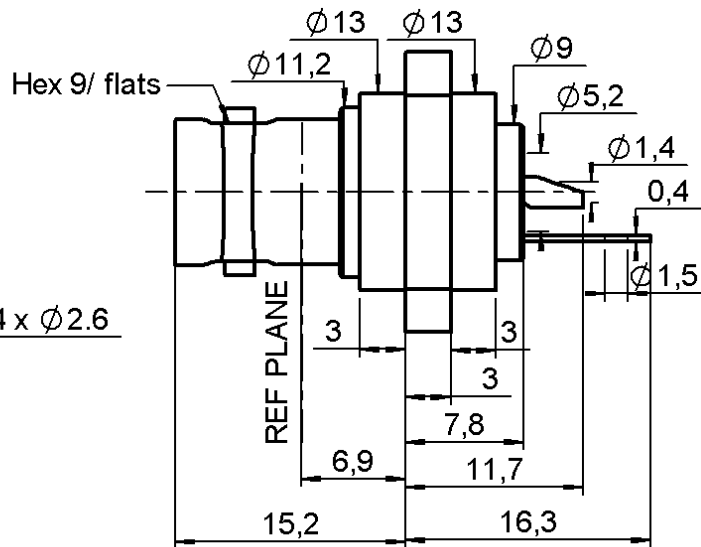
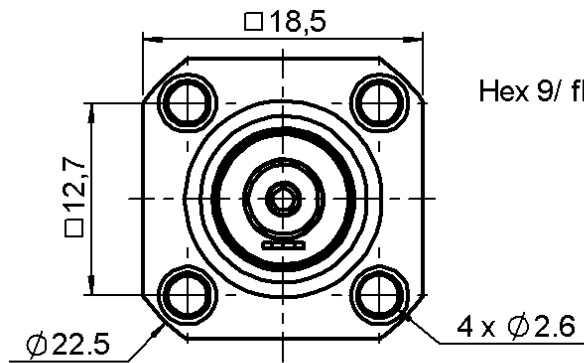


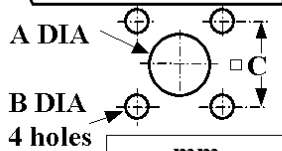
**INSULATED SQUARE FLANGE JACK RECEPTACLE
WITH SOLDER POT CONTACT**

R141.410.000

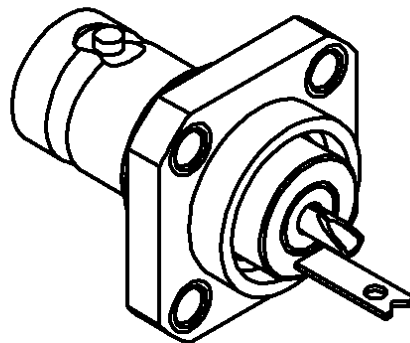
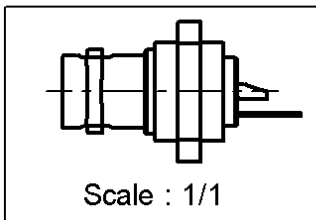
Series : BNC



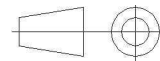
PANEL CUT OUT



| | mm | |
|---|------|------|
| | Maxi | mini |
| A | 13.2 | 13.1 |
| B | 2.7 | 2.6 |
| C | 12.8 | 12.7 |



All dimensions are in mm.



| COMPONENTS | MATERIALS | PLATING (µm) |
|----------------|------------------|------------------------|
| BODY | BRASS | NICKEL 2 |
| CENTER CONTACT | BERYLLIUM COPPER | GOLD 0.5 OVER NICKEL 2 |
| OUTER CONTACT | - | - |
| INSULATOR | PTFE | - |
| GASKET | - | - |
| OTHERS PARTS | POLYAMIDES 11 | - |
| - | - | - |
| - | - | - |

Issue : 0849 B

In the effort to improve our products, we reserve the right to make changes judged to be necessary.



**INSULATED SQUARE FLANGE JACK RECEPTACLE
WITH SOLDER POT CONTACT**

R141.410.000

Series : BNC

PACKAGING

SPECIFICATION

| Standard | Unit | Other |
|------------|-------------------|-------------------|
| 100 | 'W' option | Contact us |

ELECTRICAL CHARACTERISTICS

ENVIRONMENTAL

| | | |
|---------------------------------|-------------------|--------------------------|
| Impedance | 50 | Ω |
| Frequency | 0-4 | GHz |
| VSWR | * + 0,0000 | x F(GHz) Maxi |
| Insertion loss | .25 | \sqrt{F} (GHz) dB Maxi |
| RF leakage | - (57) | - F(GHz)) dB Maxi |
| Voltage rating | 500 | Veff Maxi |
| Dielectric withstanding voltage | 1500 | Veff mini |
| Insulation resistance | 5000 | M Ω mini |

| | | |
|-----------------------|-----------------|--------------|
| Operating temperature | -65/+165 | $^{\circ}$ C |
| Hermetic seal | NA | Atm.cm3/s |
| Panel leakage | NA | |

OTHER CHARACTERISTICS

Assembly instruction **NA**

Others :
*VSWR 1.50 maxi

MECHANICAL CHARACTERISTICS

| | | |
|----------------------------|----------------|-------------|
| Center contact retention | | |
| Axial force – Mating end | 18 | N mini |
| Axial force – Opposite end | 18 | N mini |
| Torque | 2.8 | N.cm mini |
| Recommended torque | | |
| Mating | NA | N.cm |
| Panel nut | NA | N.cm |
| Mating life | 500 | Cycles mini |
| Weight | 10,0000 | g |

Issue : 0849 B

In the effort to improve our products, we reserve the right to make changes judged to be necessary.

RADIALL 