

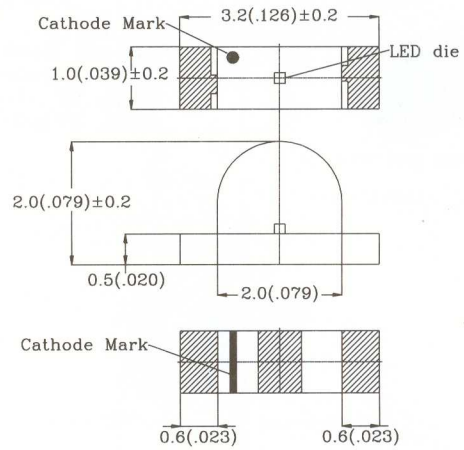
SURFACE MOUNT CHIP LED LAMPS



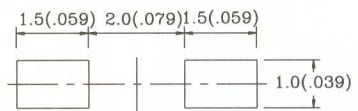
Right Angle Lens BL-Hxxx4A Series

Anode Mark For

- BL-HSxx4A
- BL-HDxx4A
- BL-HFxx4A



For reflow soldering



Absolute Maximum Ratings(Ta=25°C)

	UNIT	SPEC.
IF	mA	30
IFp	mA	100
VR	V	5
Topr	°C	-25~+80
Tstg	°C	-30~+85

NOTE:

- 1.All dimensions are in millimeters(inches).
- 2.Tolerance is $\pm 0.10(.004)$ " unless otherwise specified.
- 3.Specifications are subject to change without notice.

Part No.	Chip				Lens Appearance	Electro-optical Data (At 20mA)				Viewing Angle $2\theta 1/2$ (deg)
	Material	Emitted Color	λ_p (nm)	λ_d (nm)		Vf(V)		Iv(mcd)		
						Typ.	Max.	Min.	Typ.	
BL-HE134A	GaAsP/GaP	Hi-Eff Red	640	628	Water Clear	2.0	2.6	3.7	10.0	100
BL-HS134A	GaAlAs/GaAs	Super Red	660	643		1.7	2.6	3.7	12.0	
BL-HD034A	GaAlAs/GaAs	Super Red	660	643		1.8	2.6	12.3	30.0	
BL-HF034A	GaAlAs	Super Red	660	643		2.1	2.6	12.3	30.0	
BL-HUB34A	AlGaInP	Super Red	645	632		2.1	2.6	42.0	70.0	
BL-HJB34A	AlGaInP	Super Orange Red	620	615		2.0	2.6	42.0	70.0	
BL-HJD34A	AlGaInP	Super Orange Red	630	625		2.1	2.6	42.0	70.0	
BL-HG034A	GaP/GaP	Yellow Green	568	571		2.1	2.6	5.5	15.0	
BL-HX134A	GaP/GaP	Hi-Eff Green	568	570		2.2	2.6	3.7	8.0	
BL-HW134A	GaP/GaP	Pure Green	557	563		2.2	2.6	2.4	4.0	
BL-HGD34A	AlGaInP	Super Yellow Green	570	570		2.0	2.6	12.3	30.0	
BL-HG434A	InGaN	Bluish Green	505	505		3.5	4.0	63.0	130.0	
BL-HG634A	InGaN	Green	525	525		3.5	4.0	94.0	200.0	
BL-HY034A	GaAsP/GaP	Yellow	583	585		2.1	2.6	3.7	10.0	
BL-HKB34A	AlGaInP	Super Yellow	590	587		2.1	2.6	42.0	70.0	
BL-HKD34A	AlGaInP	Super Yellow	595	594		2.1	2.6	42.0	70.0	
BL-HA134A	GaAsP/GaP	Amber	610	610		2.2	2.6	2.4	6.0	
BL-HJF34A	AlGaInP	Super Amber	610	605		2.0	2.6	42.0	70.0	