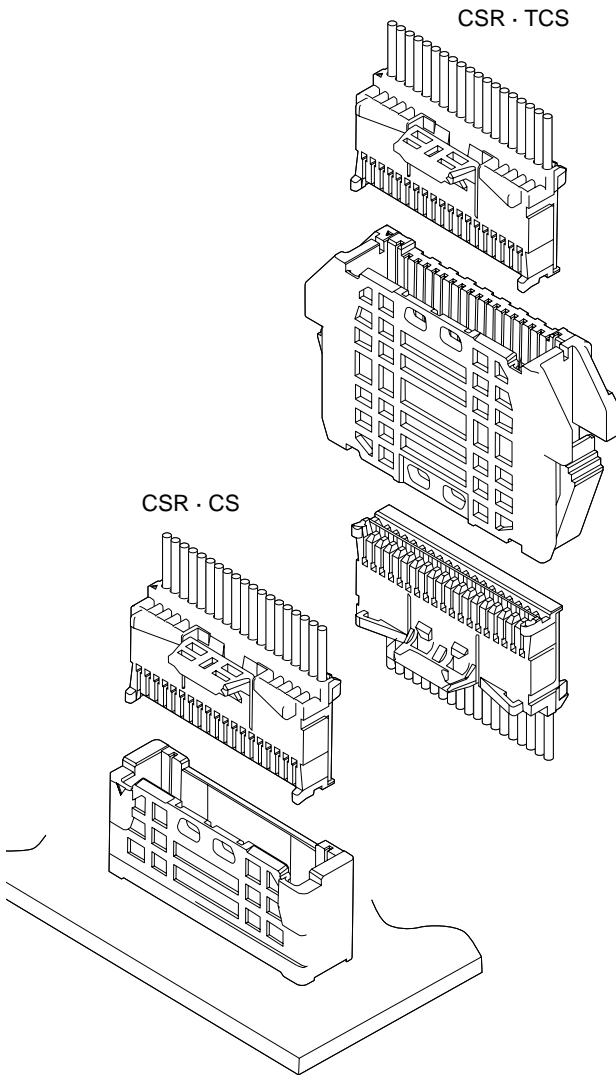


CS FAMILY SERIES / CSR-CS-TCS CONNECTOR

1.0mm pitch/Disconnectable Insulation displacement connectors



This is a 1.0mm pitch insulation displacement connector with the secure locking structure to prevent coming off the connector and incomplete mating. 1.8A in rated current was realized by using AWG#27.

CS connector

- Secure locking structure
- Realization of multi-circuits by low insertion force
- Countermeasure for unexpected prying insertion

TCS connector

- Secure locking structure
- Countermeasure for unexpected prying insertion

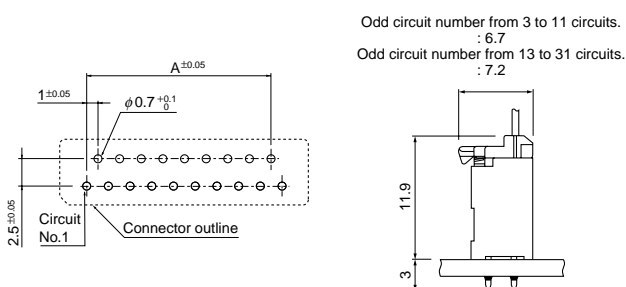
Specifications

Item	Series	CSR - CS connector	TCS connector
Current rating		1.8A (AWG #27)	
Voltage rating		50V AC, DC	
Temperature rise		-25°C to +85°C (including temperature rise)	
Contact resistance		Initial value/15mΩ max. After environmental testing/30mΩ max.	Initial value/25mΩ max. After environmental testing/50mΩ max.
Insulation resistance		500MΩ min.	
Withstanding voltage		500V AC/minute	
Applicable wire		UL11079, UL3619 AWG#27, #28 Conductor / 7-strands, tincoated annealed copper Insulation O.D. / 0.65 to 0.73mm (Contact JST for details.)	-
Applicable PC board thickness		1.6mm	-
Applicable panel thickness		-	0.8 to 2.0mm

- * RoHS compliant products are published.
- * Refer to "General Instruction and Notice when using Terminals and Connectors" at the end of this catalog.
- * Contact JST for details.

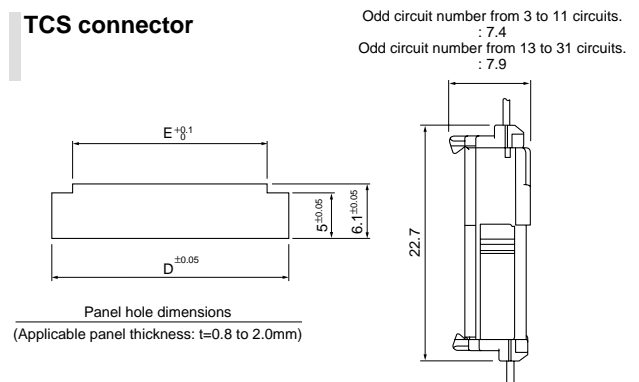
PC board layout (viewed from component side) and Assembly layout

CS connector



Note: 1. Tolerances are non-cumulative: $\pm 0.05\text{mm}$ for all centers.
2. Hole dimensions differ according to the kind of PC board and piercing method.
The dimensions above should serve as a guideline. Contact JST for details.

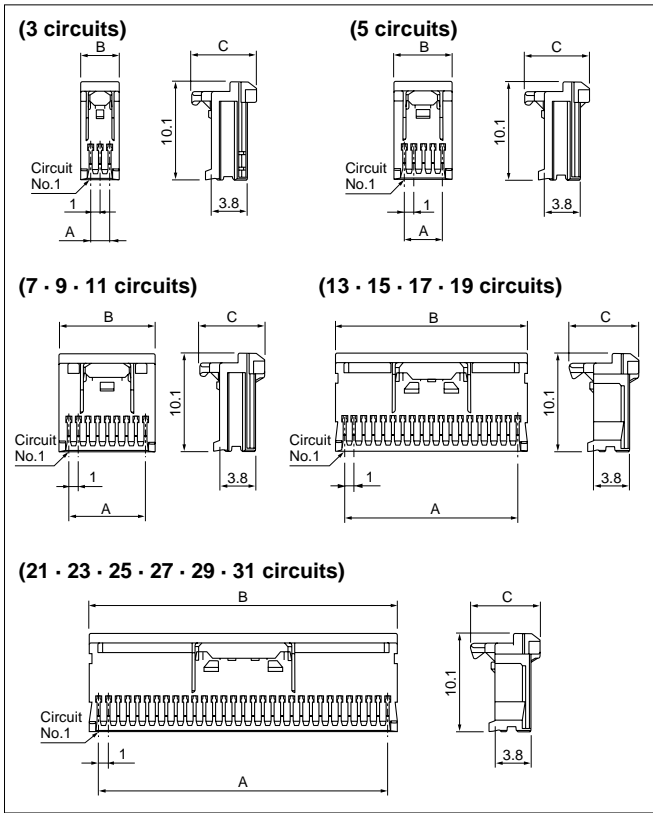
TCS connector



Note: D, E dimensions: Refer to TCS connector
(Unit for wire-to-wire connection).

CS FAMILY SERIES / CSR·CS·TCS CONNECTOR

CSR connector socket



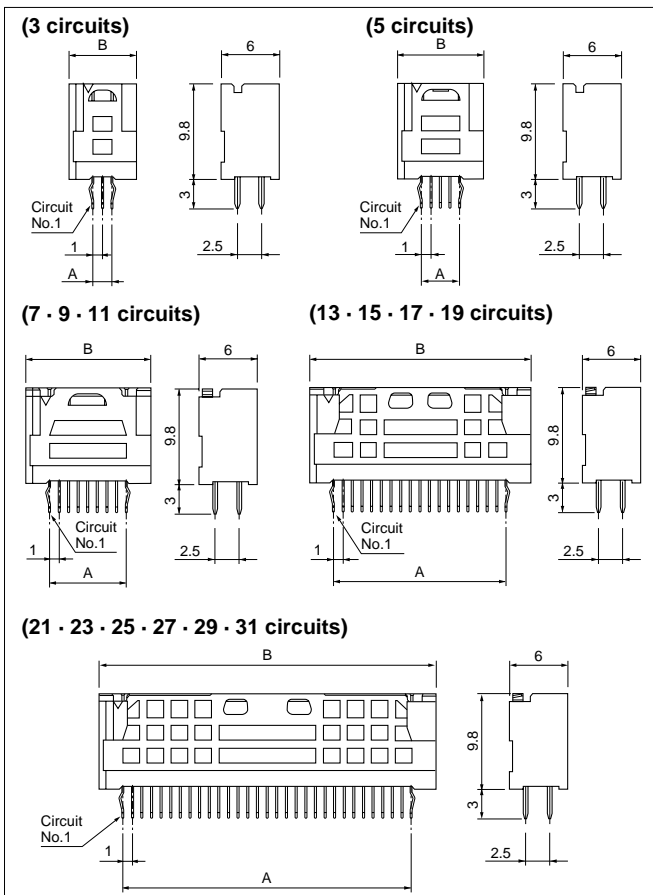
Circuits	Model No.	Dimensions (mm)			Q'ty / box
		A	B	C	
3	03CSR-8PK	2.0	4.0	6.7	4,500
5	05CSR-8PK	4.0	6.0		3,000
7	07CSR-8PK	6.0	8.0		2,220
9	09CSR-8PK	8.0	10.0		1,800
11	11CSR-8PK	10.0	12.0		1,500
13	13CSR-8PK	12.0	14.0	7.2	1,890
15	15CSR-8PK	14.0	16.0		1,620
17	17CSR-8PK	16.0	18.0		1,440
19	19CSR-8PK	18.0	20.0		1,350
21	21CSR-8PK	20.0	22.0		1,170
23	23CSR-8PK	22.0	24.0		2,160
25	25CSR-8PK	24.0	26.0		1,980
27	27CSR-8PK	26.0	28.0		1,800
29	29CSR-8PK	28.0	30.0		1,800
31	31CSR-8PK	30.0	32.0		1,620

Material and Finish

Contact: Copper alloy, tin-plated
Housing: PBT, UL94V-0, pink

RoHS compliance

CS connector through-hole type shrouded header



Circuits	Model No.	Dimensions (mm)		Q'ty / box
		A	B	
3	B03B-CSRK	2.0	7.0	5,040
5	B05B-CSRK	4.0	9.0	3,960
7	B07B-CSRK	6.0	11.0	3,240
9	B09B-CSRK	8.0	13.0	2,760
11	B11B-CSRK	10.0	15.0	2,400
13	B13B-CSRK	12.0	17.0	2,040
15	B15B-CSRK	14.0	19.0	1,800
17	B17B-CSRK	16.0	21.0	1,680
19	B19B-CSRK	18.0	23.0	1,560
21	B21B-CSRK	20.0	25.0	1,440
23	B23B-CSRK	22.0	27.0	1,320
25	B25B-CSRK	24.0	29.0	1,200
27	B27B-CSRK	26.0	31.0	1,080
29	B29B-CSRK	28.0	33.0	1,080
31	B31B-CSRK	30.0	35.0	960

Material and Finish

Housing: Glass-filled PA 66, UL94V-0, red
Contact: Copper alloy, copper-undercoated, tin-plated (reflow treatment)

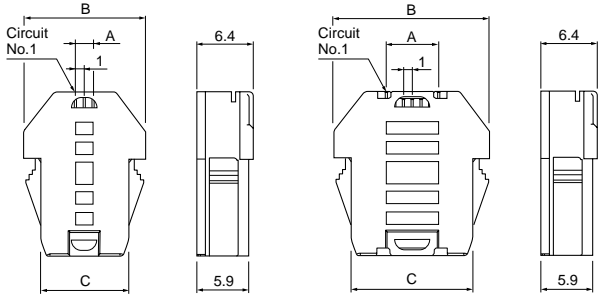
RoHS compliance

This product displays (LF)(SN) on a label.

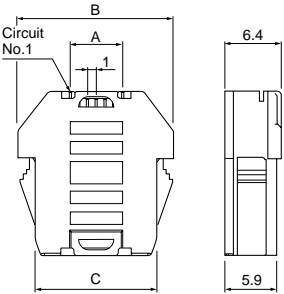
CS FAMILY SERIES / CSR·CS·TCS CONNECTOR

TCS connector (Unit for wire-to-wire connection)

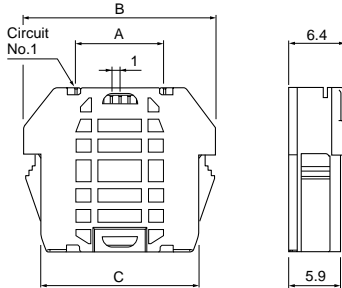
(3 circuits)



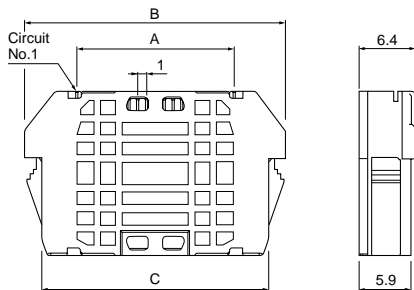
(5 · 7 circuits)



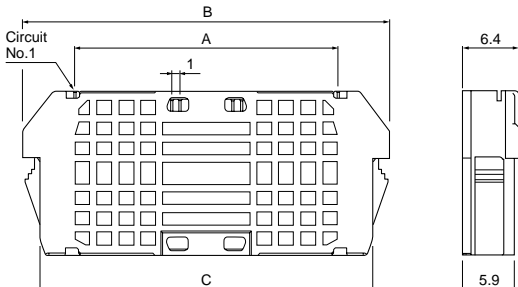
(9 · 11 circuits)



(13 · 15 · 17 · 19 circuits)



<21 · 23 · 25 · 27 · 29 · 31 circuits>



Circuits	Model No.	Dimensions (mm)						Q'ty / box
		A	B	C	D		E	
					10.8≤D≤11.2	11.2<D≤12.0		
3	BU03P-TCS-LE	2.0	13.8	10.0	10.7	11.0	6.2	5,400
5	BU05P-TCS-LE	4.0	15.8	12.0	12.7	13.0	8.2	4,500
7	BU07P-TCS-LE	6.0	17.8	14.0	14.7	15.0	10.2	4,500
9	BU09P-TCS-LE	8.0	19.8	16.0	16.7	17.0	12.2	4,500
11	BU11P-TCS-LE	10.0	21.8	18.0	18.7	19.0	14.2	3,600
13	BU13P-TCS-LE	12.0	23.8	20.0	20.7	21.0	16.2	3,600
15	BU15P-TCS-LE	14.0	25.8	22.0	22.7	23.0	18.2	2,700
17	BU17P-TCS-LE	16.0	27.8	24.0	24.7	25.0	20.2	2,700
19	BU19P-TCS-LE	18.0	29.8	26.0	26.7	27.0	22.2	2,700
21	BU21P-TCS-LE	20.0	31.8	28.0	28.7	29.0	24.2	1,800
23	BU23P-TCS-LE	22.0	33.8	30.0	30.7	31.0	26.2	1,800
25	BU25P-TCS-LE	24.0	35.8	32.0	32.7	33.0	28.2	1,800
27	BU27P-TCS-LE	26.0	37.8	34.0	34.7	35.0	30.2	1,800
29	BU29P-TCS-LE	28.0	39.8	36.0	36.7	37.0	32.2	1,800
31	BU31P-TCS-LE	30.0	41.8	38.0	38.7	39.0	34.2	1,800

Material and Finish

Housing: PBT, UL94V-0, light blue

Contact: Copper alloy, copper-undercoated, tin-plated (reflow treatment)

RoHS compliance This product displays (LF)(SN) on a label.