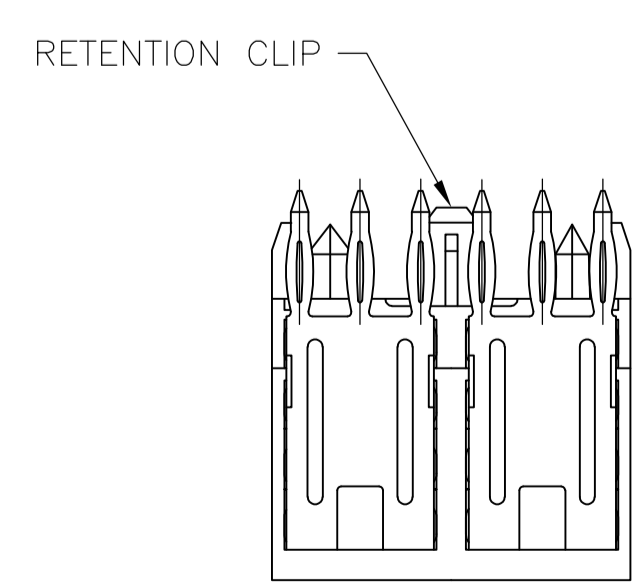
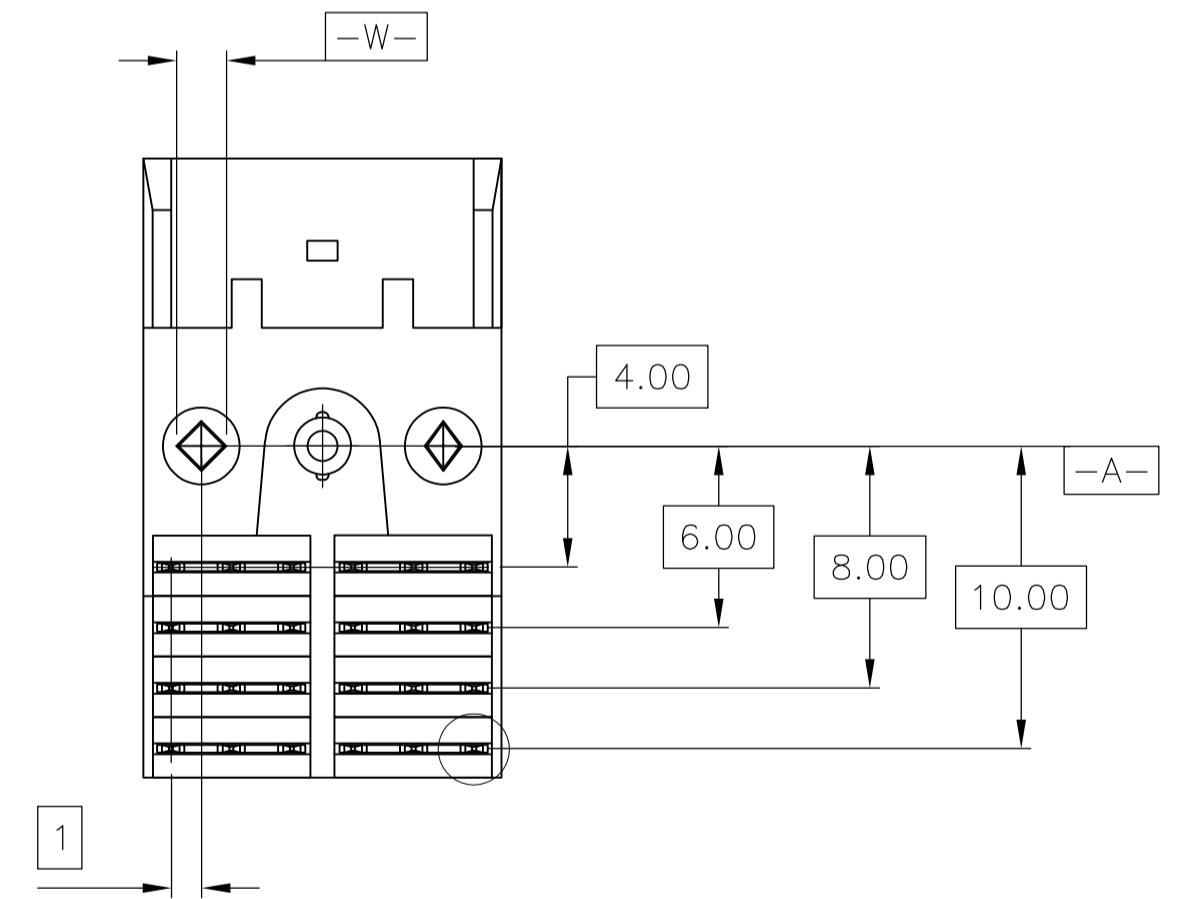
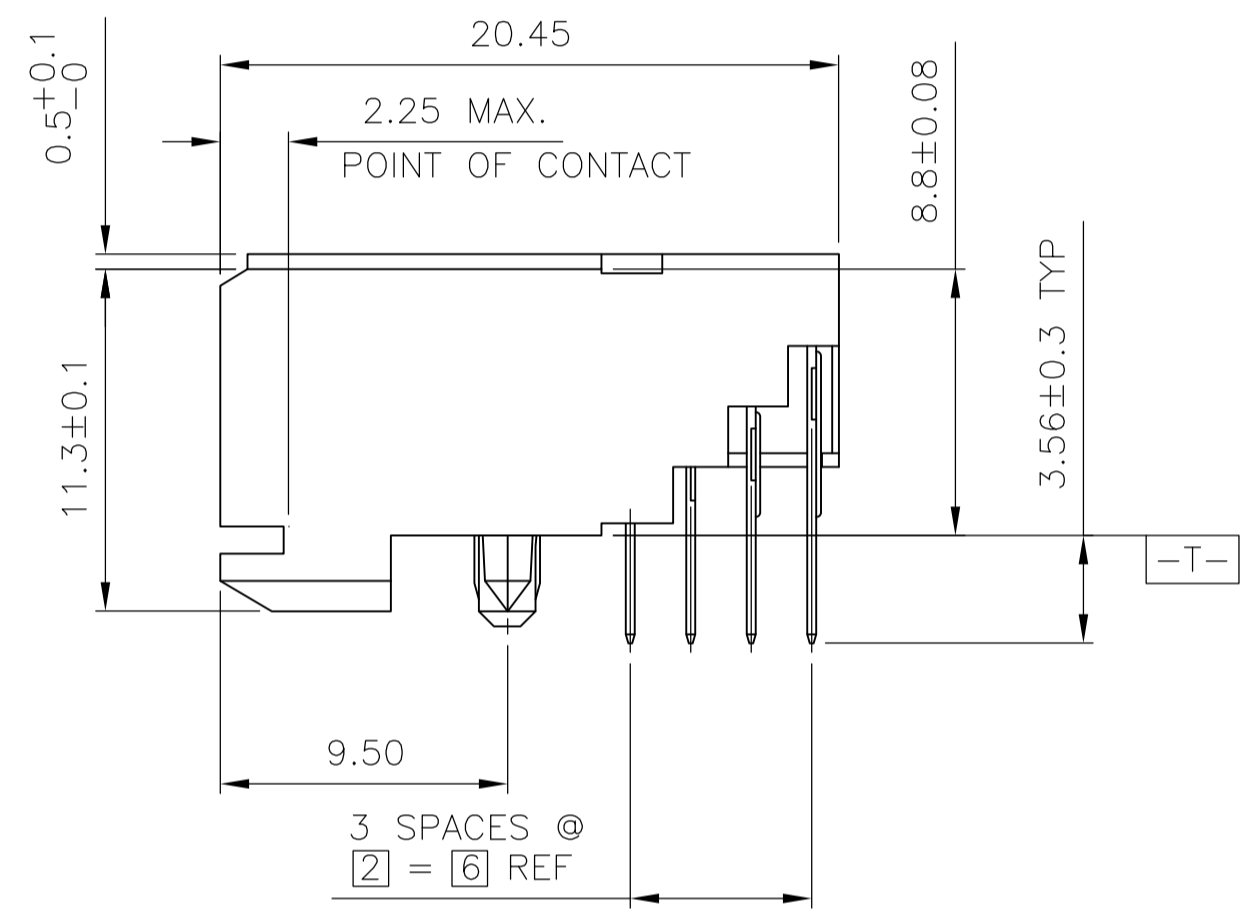
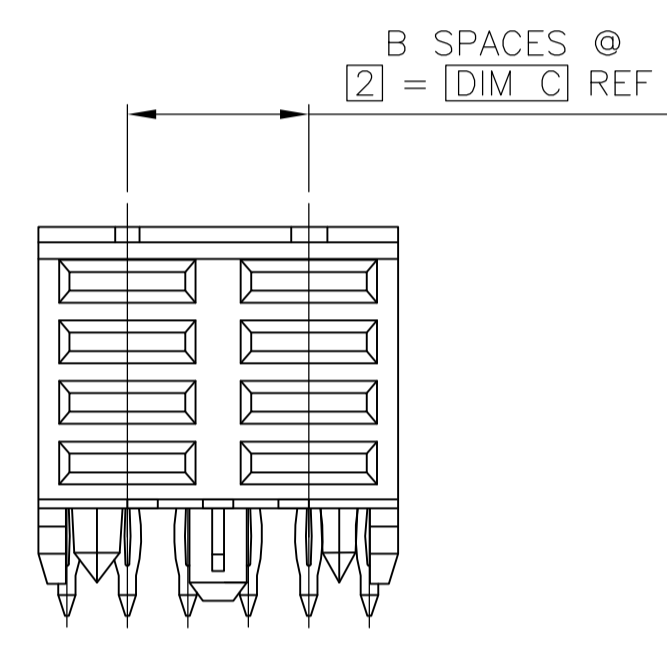
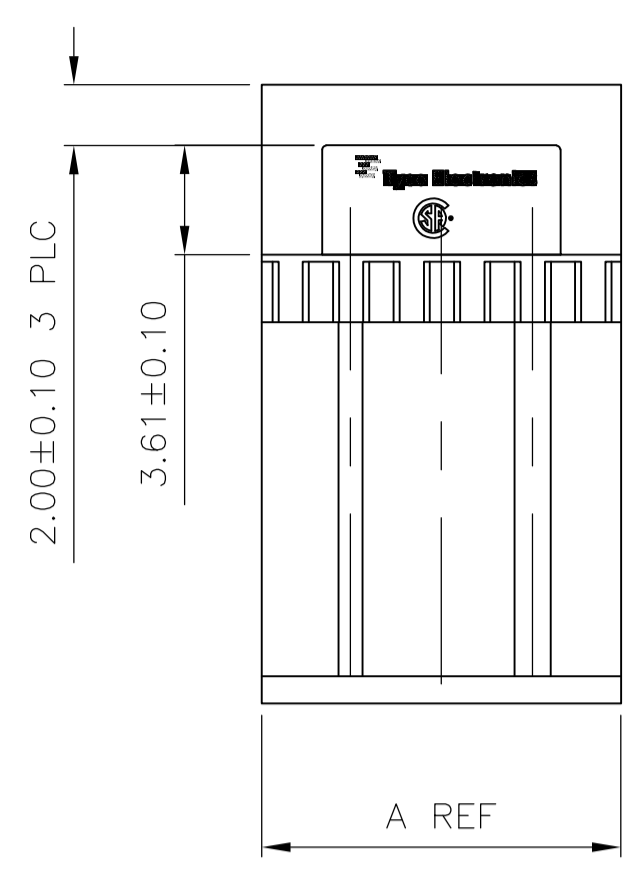
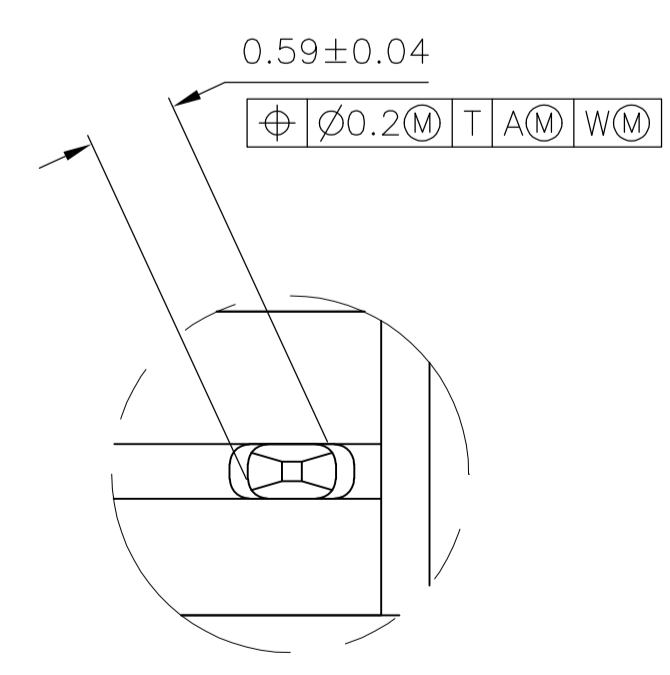
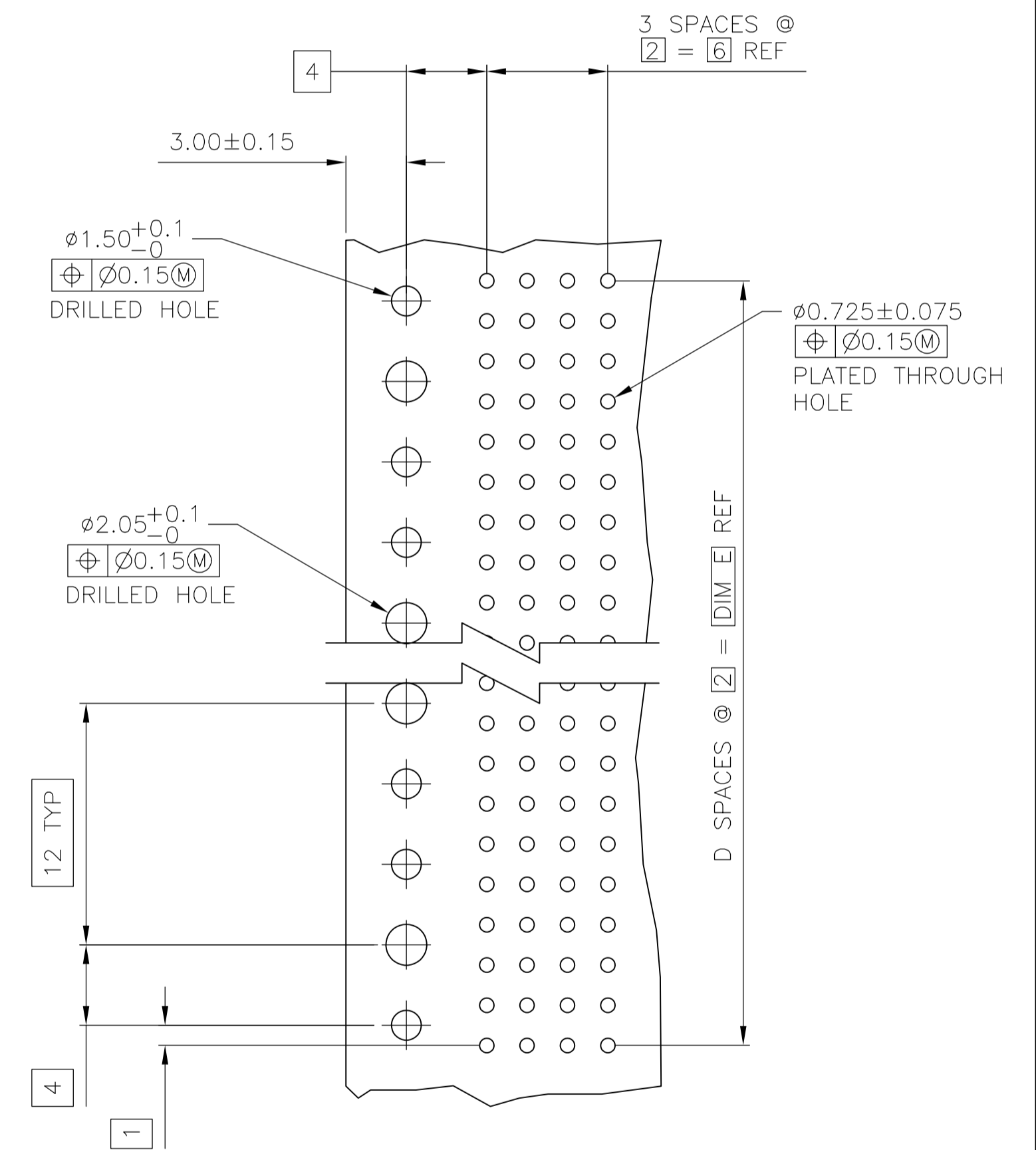


LOC		DIST		REVISIONS			
AD	00	REV	DATE	BY	CHKD	APVD	
02		REVISED PER ECO-08-009171	22APR08	DH	AS		



- 1 HOUSING MATERIAL: LIQUID CRYSTAL POLYMER.
- 2 CONTACT MATERIAL: PHOSPHOR-BRONZE.
- 3 CONTACT FINISH:(D)  
 UNDERPLATE (ENTIRE CONTACT):  
 0.00127 MIN NICKEL PER SAE-AMS-QQ-N-290  
 ON MATING SURFACES:  
 FLASH GOLD PER ASTM B 488, OVER  
 0.00076 MIN PALLADIUM-NICKEL OVER UNDERPLATE, OR  
 0.00076 MIN GOLD PER ASTM B 488 OVER UNDERPLATE.  
 ON LEADS:  
 0.00127 MIN MATTE TIN PER ASTM B 545 OVER UNDERPLATE.  
 LUBRICATION (MIN MATING SURFACES):  
 SURFACE CONDITIONER AFTER PLATING.



DETAIL Z  
SCALE 20:1

RECOMMENDED CIRCUIT PATTERN  
PER IPC-D300 TYPE II, CLASS C  
(COMPONENT SIDE)

10	5	6	1	11.88	3	8	5536614-1
E	D	C	B	A	FINISH	NO OF POSN	PART NUMBER
THIS DRAWING IS A CONTROLLED DOCUMENT.		DIN D.R.BENDER 11/04/92		Tyco Electronics Corporation		Tyco Electronics Corporation	
DIMENSIONS: mm		TOLERANCES UNLESS OTHERWISE SPECIFIED:		S.H.HEADER 04/20/93		Harrisburg, PA 17105-3608	
0 PLC ± -		1 PLC ± -		PRODUCT SPEC		NAME: Z-PACK 2mm FB, POWER MODULE, RCPT. ASSY.	
1 PLC ± -		2 PLC ± 0.13		APPLICATION SPEC		4 ROW, 3.56mm LEAD LENGTH	
2 PLC ± -		3 PLC ± -		SIZE: A1		PRESS FIT LEAD	
3 PLC ± -		4 PLC ± -		CAGE CODE: 00779		DRAWING NO: 5536614	
4 PLC ± -		ANGLES ± -		WEIGHT: -		RESTRICTED TO: -	
MATERIAL: 1 2 3		FINISH: 3		CUSTOMER DRAWING		SCALE: 4:1 SHEET: 1 OF 1 REV: 02	