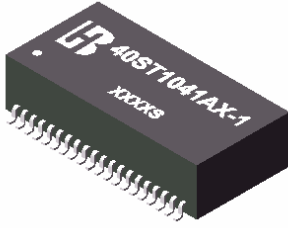


40 PIN SMD ETHERNET 100 BASE –TX HIGH SPEED LAN MAGNETICS

P/N: 40ST1041AX-1 DATA SHEET

Feature



- Symmetrical TX and RX channels for auto MD1/MD1X capability .
- Compliant with IEEE 802.3u standards including 350μH OCL with 8mA bias .
- Designed for reflow soldering at temperatures up to 235°C
- Operating temperature range : 0°C to +70°C .
- Storage temperature range: -25°C to +125°C .

Electrical Specifications @ 25°C

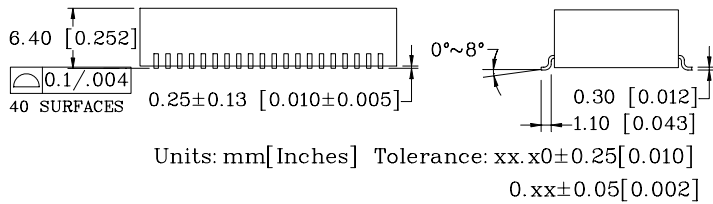
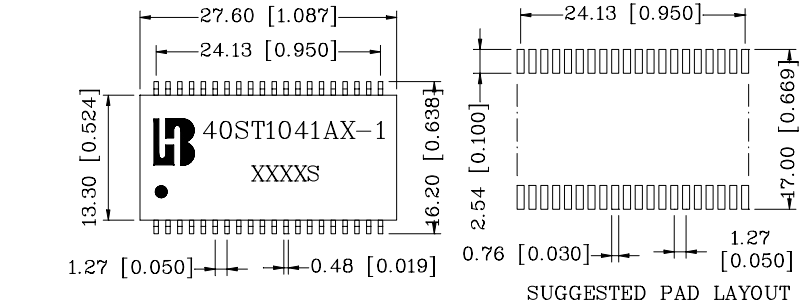
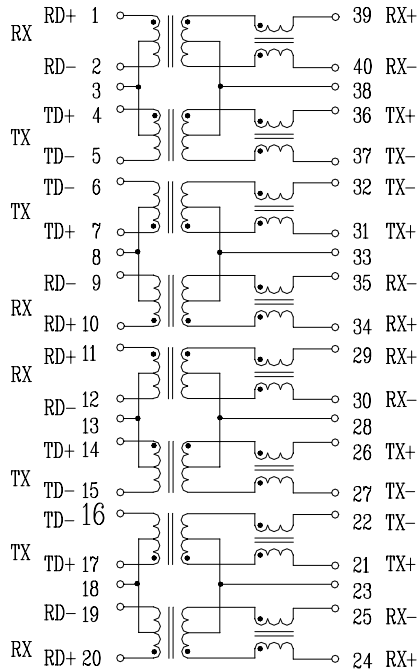
Part Number	Turns Ratio (±5%)		OCL(μ H Min) @100KHz/0.1Vrms 8mA DC/Bias	L.L (μ H Max)	C _{WW} (pF Max)	HI-POT (Vrms)	Rise Time (nS Typ)
	TX	RX					
40ST1041AX-1	1CT:1CT	1CT:1CT	350	0.4	56	1500	3.0

Continue

Part Number	Insertion Loss (dB Max)	Return Loss (dB Min)			Cross talk (dB Min)		DCMR (dB Min)		
		0.3-100MHz	0.3-30MHz	30-60MHz	60-80MHz	0.3-60MHz	60-100MHz	60MHz	100MHz
40ST1041AX-1	-1.15	-16	-12	-10	-45	-35	-37	-28	-25

Schematic

Mechanical



Units: mm[Inches] Tolerance: xx.x0±0.25[0.010]
0.xx±0.05[0.002]