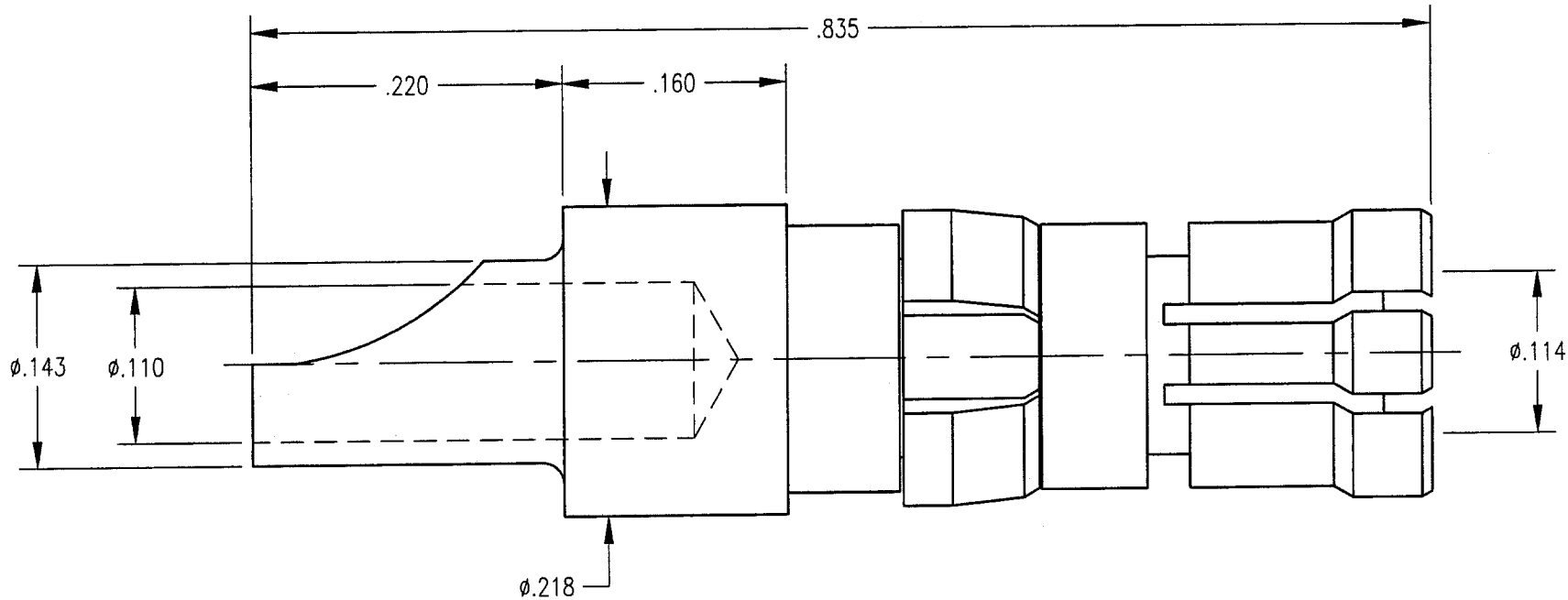


DWG. NO. 221-510-0003G

REV	DESCRIPTION	BY	DATE	APPRO
B	ECN 2369	JM	8/2/00	[Signature]



NOTES:

1. MATERIALS:
 BODY: BERYLLIUM COPPER PER ASTM B196
 CLIP RING: BERYLLIUM COPPER PER ASTM B194
2. FINISH:
 BODY: .000030 MIN. GOLD PER MIL-G-45204 OVER
 .000050 MIN. NICKEL PER QQ-N-290
 BODY: .000030 MIN. GOLD PER MIL-G-45204 OVER
 COPPER FLASH

PER ASME Y14.5M-1994 UNLESS OTHERWISE SPECIFIED: DIMENSIONS ARE IN INCHES (MM)		Litton	
TOLERANCES: DECIMALS .XX ± .01/0.254 .XXX ± .005/0.127 ANGLES ± 2°		Winchester/Retconn 400 Park Road Watertown, Connecticut 06795	
CUSTOMER DRAWING		TITLE HIGH POWER RECEPTACLE	
DRAWN KJT	DATE 10/29/97	CHECKED JM	DATE 10/29/97
APPROVED PRP	DATE 10/29/97	APPROVED PRP	DATE 10/29/97
A		221-510-0003G	SHT. 1 OF 1 REV. B