

Low Power 16-bit Single Chip Microcontroller

- Low Power MCU (operating voltage 1.8 V, 0.6 μ A/SLEEP, 2.0 μ A/HALT)
- Flash memory(32KByte), 8.2MHz high speed operating at 1.8V power voltage
- LCD driver: max 128 segment, 16seg x 8com or 20seg x 4com
- Analog I/F: A/D converter(INL/DNL Max. 1.5LSB), R/F converter
- S1C17 High Performance 16-bit RISC CPU Core with C Optimized Compact Code and Serial ICE Support

■ DESCRIPTIONS

The S1C17601 is a 16-bit MCU featuring high-speed low-power operations, compact dimensions, wide address space and on-chip ICE. A/D converter and R/F converter are built in and sensor of various analog I/F can be connected. It is suitable for the application of health care product, sports watch and meter module etc. with sensor that is required a small size and micro display in the battery driven.

■ FEATURES

- CPU
Epson original 16-bit RISC CPU core S1C17
16 bit x 16 bit + 32 bit product-sum operation, 16 bit ÷ 16 bit division arithmetic unit
- IOSC oscillator circuit
2.7 MHz (typ.)
Oscillating start up 5 μ s (max.)
Boot Clock (External components not required.)
- OSC3 oscillator circuit
Crystal oscillator circuit or ceramic oscillator circuit, 8.2 MHz (max.) or external clock input
- OSC1 oscillator circuit
Crystal oscillator circuit 32.768 kHz (typ.)
- Internal flash memory
32 Kbytes (for both instructions and data)
Allows 1,000 rewrites (min.)
Read/write protection function
Allows onboard rewriting with the ICD Mini (S5U1C17702H) debug tool and self-rewriting via software.
- Internal RAM
2 Kbytes
- Internal Display RAM
20 bytes
- A/D Converter
10 bit resolution 4ch
- R/F Converter
DC oscillation/AC oscillation/External input 1ch.
- Input/output port
Max. 24-bit general purpose input/output (shared with peripheral circuit input/output pins)
- Serial interfaces
SPI (master/slave) 1ch
I²C (master) 1ch
I²C (slave) 1ch
UART (460,800 bps, IrDA1.0 compatible) 1ch
- Timers
8-bit timer (T8F) 1ch
16-bit timer (T16) 3ch
PWM timer (T16E) 1ch
8-bit OSC1 timer (T8OSC1) 1ch
Clock timer (CT) 1ch
Stopwatch timer (SWT) 1ch
Watchdog timer (WDT) 1ch
- LCD Driver
16 SEG x 8 COM or 20 SEG x 4 COM (1/3 bias)
Internal booster power supply circuit (16-value programmable contrast)
- Supply voltage detector
15-value programmable (1.8 V to 3.2 V)
- Interrupts
NMI, P Port Input interrupt 3ch.
Serial Interface interrupt 4ch.
Timer interrupt 9ch.
LCD, SVD, ADC, RFC interrupt
- Power supply voltage
1.8 V to 3.6 V (for normal operations)
2.7 V to 3.6 V (for flash deletion/programing)
Including voltage regulator circuit (with binary programmable operating voltage)
- Operating temperature
-25°C to 70°C
- Power consumption
SLEEP mode: 0.6 μ A typ. (OSC1=OFF, IOSC=OFF, OSC3=OFF)

S1C17601

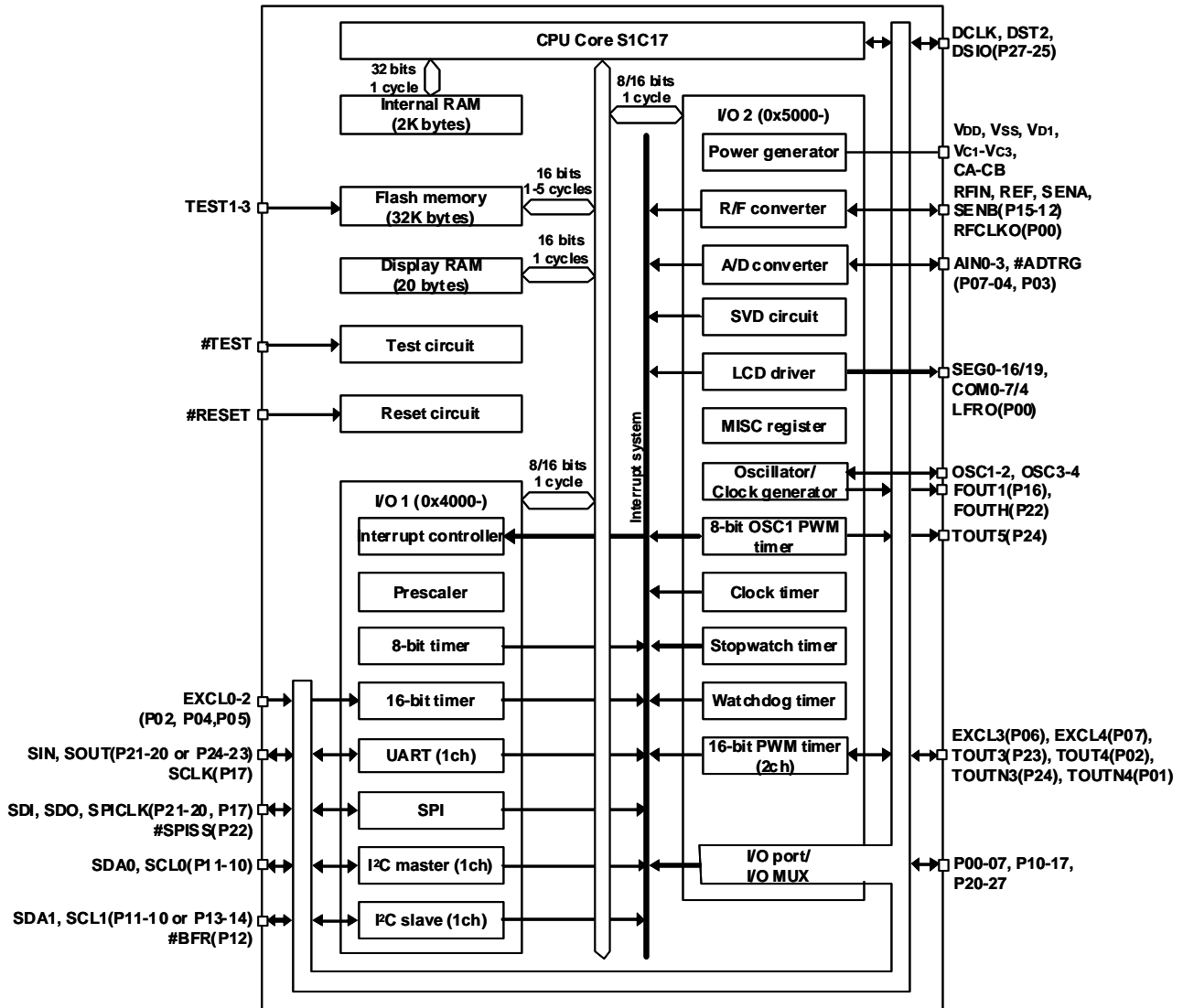
HALT mode: 2.0 μ A typ. (OSC1=32 kHz, IOSC=OFF, OSC3=OFF, PCKEN=0x0,
LCD OFF)
2.7 μ A typ. (OSC1=32 kHz, IOSC=OFF, OSC3=OFF, PCKEN=0x0,
LCD ON (All LCD On, maximum contrast, VC2 standard))

When operating: 12 μ A typ. (OSC1= 32kHz, IOSC=OFF, OSC3=OFF, LCD OFF)
340 μ A typ.(OSC1=OFF, IOSC=OFF, OSC3=1 MHz ceramic oscillator)

TQFP13-64 package (10 mm x 10 mm body, 0.5 mm pitch)
VFPGA8H-81 package (8 mm x 8 mm, body, 0.8 mm pitch)
Bare chip 100 μ m pitch

● Shipping form

■ Block Diagram



NOTICE:

No part of this material may be reproduced or duplicated in any form or by any means without the written permission of Seiko Epson. Seiko Epson reserves the right to make changes to this material without notice. Seiko Epson does not assume any liability of any kind arising out of any inaccuracies contained in this material or due to its application or use in any product or circuit and, further, there is no representation that this material is applicable to products requiring high level reliability, such as, medical products. Moreover, no license to any intellectual property rights is granted by implication or otherwise, and there is no representation or warranty that anything made in accordance with this material will be free from any patent or copyright infringement of a third party. This material or portions thereof may contain technology or the subject relating to strategic products under the control of the Foreign Exchange and Foreign Trade Law of Japan and may require an export license from the Ministry of Economy, Trade and Industry or other approval from another government agency.

All brands or product names mentioned herein are trademarks and/or registered trademarks of their respective companies.

©Seiko Epson Corporation 2009. All rights reserved.

* This product uses SuperFlash® Technology licensed from Silicon Storage Technology, Inc.

SEIKO EPSON CORPORATION

SEMICONDUCTOR OPERATIONS DIVISION

■ Epson semiconductor website

http://www.epson.jp/device/semicon_e/

IC Sales Department

IC International Sales Group

421-8 Hino, Hino-shi, Tokyo 191-8501, JAPAN
Phone: 042-587-5814 FAX: 042-587-5117

Document code: 410954302

First issue Oct, 2009