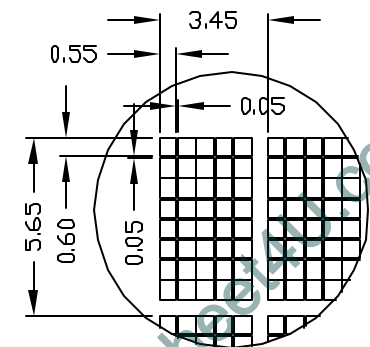



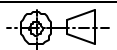
1	2	3	4	5	6	7	8	9	10	11	12	13	14
V _{SS}	V _{DD}	V _O	RS	R/W	E	DB0	DB1	DB2	DB3	DB4	DB5	DB6	DB7

DETAIL A:



NOTES:

- DISPLAY TYPE: TN MODE
- VIEWING DIRECTION: 6:00
- POLARIZER MODE: REFLECTIVE/POSITIVE
- OPERATING TEMP: 0°C--+50°C
- STORAGE TEMP: -20°C--+60°C
- VDD: 5.0V
- LCD OPERATING VOLTAGE: 4.3V
- DRIVE METHOD: DUTY 1/16 BIAS 1/5
- CONTROLLER: S6A0032X01-BOCY(KS0032UM-00CC)
- ALL UNMARKED TOLERANCES: ±0.3mm
- PIN CONNECTOR

 TIAN-MA MICROELECTRONICS CO. 22/F., HANGDU Building, Shennan Road, Central, Shenzhen, China			
CHECKED BY:	DWG NO: G-2	SCALE:	
APPROVED BY:	DWG NAME: TM162JAAG-2	UNITS: mm	
CONFIRMED BY:	SHEET NO: 01		